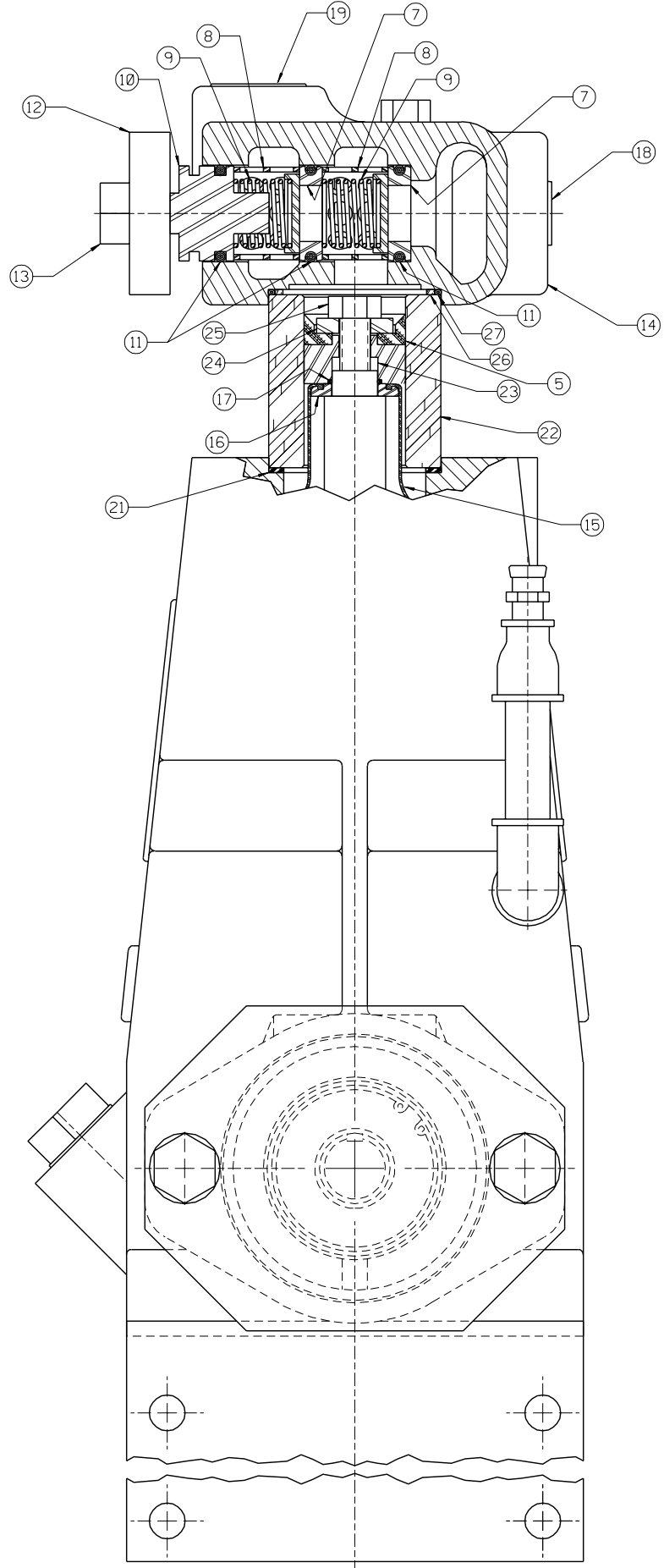
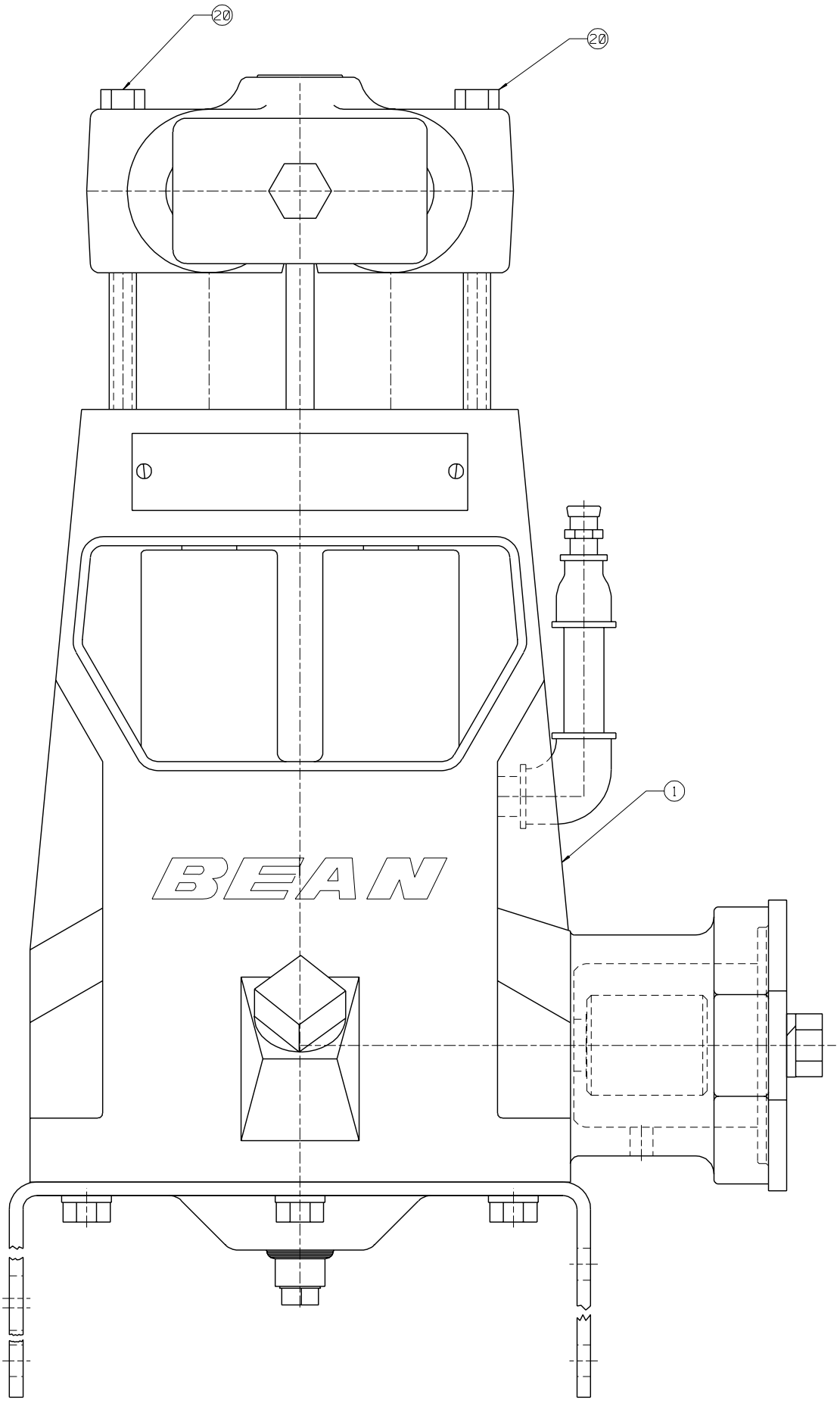


* THESE COMPONENTS ARE LOCATED IN THE FLUID CYLINDER GROUP, ITEM ②
 ** THESE COMPONENTS ARE LOCATED IN THE ATTACHING GROUP, ITEM ③
 *** THESE COMPONENTS ARE LOCATED IN THE CYLINDER GROUP, ITEM ④

ITEM	NO. RECD	PART NO.	PART NAME
①	1	3269193	POWER END ASSEMBLY: W/MOUNTS
②	1	3266812	FLUID CYLINDER GROUP:
③	1	5273637	ATTACHING GROUP:
④	1	3267616	CYLINDER GROUP:
⑤	2	3267699	CUP: 1¼", HSN, EMERALITE COATED
⑥	1	5266228	LIT KIT:
* ⑦	4	1219615	VALVE SEAT:
* ⑧	4	1219610	CAGE:
* ⑨	4	3266811	DISC & SPRING ASSEMBLY:
* ⑩	2	1219614	VALVE COVER:
* ⑪	6	3264075	O-RING: 1¾" OD X ⅛" NOM., BUNA-N
* ⑫	1	1255887	VALVE COVER CLAMP:
* ⑬	1	1100064	HEX HD CAP SCREW: ½-13 X 1½" LG.
* ⑭	1	3267276	FLUID CYLINDER: A04, 1" X ½"
** ⑮	2	1279148	UMBRELLA: BLACK
** ⑯	2	1269388	UMBRELLA WASHER:
** ⑰	2	1101339	O-RING: ⅞" OD X ⅛" NOM., BUNA-N
** ⑱	1	1177200	CAPLUG: INT. 12
** ⑲	1	1177199	CAPLUG: INT.
** ⑳	3	1101262	HEX HD CAP SCREW: 3/8-16 X 5" LG.
*** ㉑	2	A91684	CYLINDER GASKET:
*** ㉒	2	1279920	CERAMIC CYLINDER:
*** ㉓	2	1282635	PACKING HOLDER:
*** ㉔	2	5257216	PACKING WASHER:
*** ㉕	2	1284516	HEX HD CAP SCREW: ⅝-18 X 1½" LG.
*** ㉖	2	1285170	SEAL RING:
*** ㉗	2	1177841	O-RING: 2⅛" OD X ⅛" NOM., BUNA-N



- NOTES:
- TORQUE ITEMS 13, 20 & 25 PER ENGINEERING SPEC. AS-22
 - TEST PER ENGR SPEC AS-15, 5 GPM, 1000 PSI
 - RETORQUE ALL ITEM 20'S AFTER TEST
 - STAMP NAMEPLATE WITH THE FOLLOWING DATA:
 MODEL NO. - A0410 PART NO. - 3269194
 MAX RPM - 500 POWER - 3.5 HP
 FLOW - 5.3 GPM MAX PRESSURE - 1000 PSI
 SERIAL NO. - _____
 - PAIN PER ENGR SPEC CP-20

This drawing is the property of FMC Corporation and may not be used, reproduced, published, or disclosed to others without express authorization FMC Corp.		FMC Corporation Fluid Control Division 2825 W. Washington Box 1377 Stephenville, Texas 76481	
Unless Otherwise Specified: Remove all burrs & sharp corners .015 R. All diameters concentric unless otherwise noted. Angles ±1/2° .XX ±.015 .XXX ±.005 Finish 125 RMS All dimensions are in inches		PUMP ASSEMBLY A0410C, W/1" NPT X ½" NPT FLUID END, ABRASIVE SERVICE PISTON CUPS, 440 SST DISC VALVE ASSY & HYD. ADAPTER ON POWER END	
RELEASED FOR PRODUCTION	DRAWN	DATE	SCALE:
ECN	SL	DATE	NONE
13140	JKB	04-26-96	04-25-96
WAS	RMc	04-26-96	04-26-96
ECN	BY	DATE	SIZE
			D
			DRAWING NO.
			3269194

3269194