

CHANGES		PARTS LIST		DESCRIPTION	PART NUMBER	DWG. NO.	QTY.
D	1	1	VALVE CHAMBER ASSEMBLY	1241402	B		
	2	3	CAPSCREW-HEX HD. 3/8-16 x 5	1101262	-		
	3	4	GASKET, CYLINDER	A-91684	A		
	4	2	CYLINDER, 1 3/8 CERAMIC	1249654	A		
	5	2	CAPSCREW-HEX HD. 5/16-18 x 1 1/2	1284516	A		
	6	2	PACKING	1216833	A		
	7	2	WASHER, PACKING	5257217	A		
	8	6	WASHER, WAVE	1177455	-		
	9	2	PACKING HOLDER, 1 3/8 CYL.	1216833	A		
	10	2	O-RING, 1 1/16 OD x 9/16 ID x 1/16 SEC.	1101339	-		
	11	2	WASHER, UMBRELLA	1269388	A		
F	12	1	BOLTING STRIP	5274117	A		
	13	2	NO 10 X 24 HHCS	1177576	-		
	14	2	UMBRELLA	1279148	B		
	15	2	SLEEVE, CROSSHEAD	1218743	A		
	16	2	PIN, WRIST	1219650	A		
	17	2	CROSSHEAD	1216823	B		
	18	1	CASE	1267611	D		
	19	2	ASSEMBLY, CONN ROD	1263906	B		
	20	1	OIL SLINGER	1255285	B		
	21	2	BEARING, FAFNIR 205W	1177804	-		
	22	2	SEAL, GARLOCK 205	1219669	-		
	23	2	SNAP RING, 5000-20G	1113528	-		
	24	1	CRANKSHAFT	1244980	C		
	25	1	GASKET, BASE	1219606	B		
	26	1	BASE	1255297	B		
	27	6	CAPSCREW, HEX HD. 3/8-16 x 3/4	1100068	-		
	28	1	PIPE PLUG, 1/8 HEX HD. BRASS	1105666	-		
	29	1	PIPE PLUG 3/4 SQ. HD. GALV.	1105060	-		
	30	1	CAPLUG INT 12	1177200	-		
	31	1	CAPLUG INT 14	1177201	-		
	32	4	INSERT, BEARING	1263739	B		
B	33	1	NAMEPLATE	5262738	A		
	34	2	SCREW #4 X 3/16 TAPG.	1187413	-		
	35	4	HHCS 1/4-20 X 1 LOCK	1278439	-		
C	36	1	KEY 3/16 SQ X 1/2 PLAIN	11088A-1	N		
F	37	2	STOP NUT	320502	-		

THESE DETAILS MAKE UP THE VALVE CHAMBER ASSEMBLY (1241402)

41	1	VALVE CHAMBER	1241397	D
42	4	SEAT, VALVE	1219615	A
43	6	O-RING, 1 3/16 DIA.	1177394	A
44	4	VALVE DISC	1219609	A
45	4	VALVE CAGE	1219610	A
46	2	VALVE COVER	1219614	A
47	1	CLAMP	1255887	A
48	1	CAPSCREW, HEX HD. 1/2-13 x 1 1/2	1100064	-
49	4	VALVE SPRING	1244302	A
50	4	ASSEMBLY, VALVE & SPRING	5253499	A

- PUMP SPECS :**
- 1 APPLY LUBRAPLATE TO CONN ROD BEARINGS, WRIST PINS. & CROSSHEADS (ITEMS 16, 17, & 32)
  - 2 OIL PACKINGS (ITEM 6) BEFORE INSERTING INTO CYLINDER (ITEM 4).
  - 3 BOLT & NUT TORQUES.
 

CONN ROD BOLTS	6 - 8 FT. LBS.
PACKING BOLTS	8 - 12 FT. LBS.
VALVE CHAMBER BOLTS	15 - 20 FT. LBS.
MOUNTING BASE BOLTS	15 - 20 FT. LBS.
VALVE COVER CLAMP	25 - 30 FT. LBS.
  4. FILL CRANKCASE WITH OIL TO FILL PLUG.
  5. TEST PUMP FOR 15 MINUTES AT 500 PSI.
  6. PUMP RUST PREVENTIVE SOLUTION THRU VALVE CHAMBER.
  7. DRAIN OIL.
  8. PURGE VALVE CHAMBER WITH COMPRESSED AIR.
  - 9 STAMP NAMEPLATE WITH THE FOLLOWING INFORMATION:  
 MODEL NO A0411C PART NO 1280177 SERIAL NO.  
 INT. H.P. 2.6 AT 600 PSI 6.4GPM. 500 RPM.  
 CON. H.P. 2.6 AT 600 PSI US PATENTS: 3030978

REV.	SYMBOL	DESCRIPTION	DATE	BY	APPROVED
G		ADD HOLES (12302)	2-22-95	KHJ	
F		NUMEROUS CHANGES SEE ECN	5-3-90	KR	
E		MODULARIZED B.O.M.	10-17-89	ME	
D		WAS 1101340 (4 3/8 LONG)	7-20-83	DW	
C		ADDED 11088A1	9/9/82	DW	
B		WAS 1276364	4-20-81	DW	
A		MADE DWG. NO. CHANGE	1-7-81	DW	

\* REFERENCE FOR A0411 A/B SEE B.O.M. #5273626

TOLERANCE ON DIMENSIONS NOT OTHERWISE SPECIFIED	FRACTIONAL	DECIMAL	ANGULAR

**FMC** FMC Corporation  
Agricultural Machinery Division  
Jonesboro, Arkansas

ASSEMBLY  
A0411C PUMP

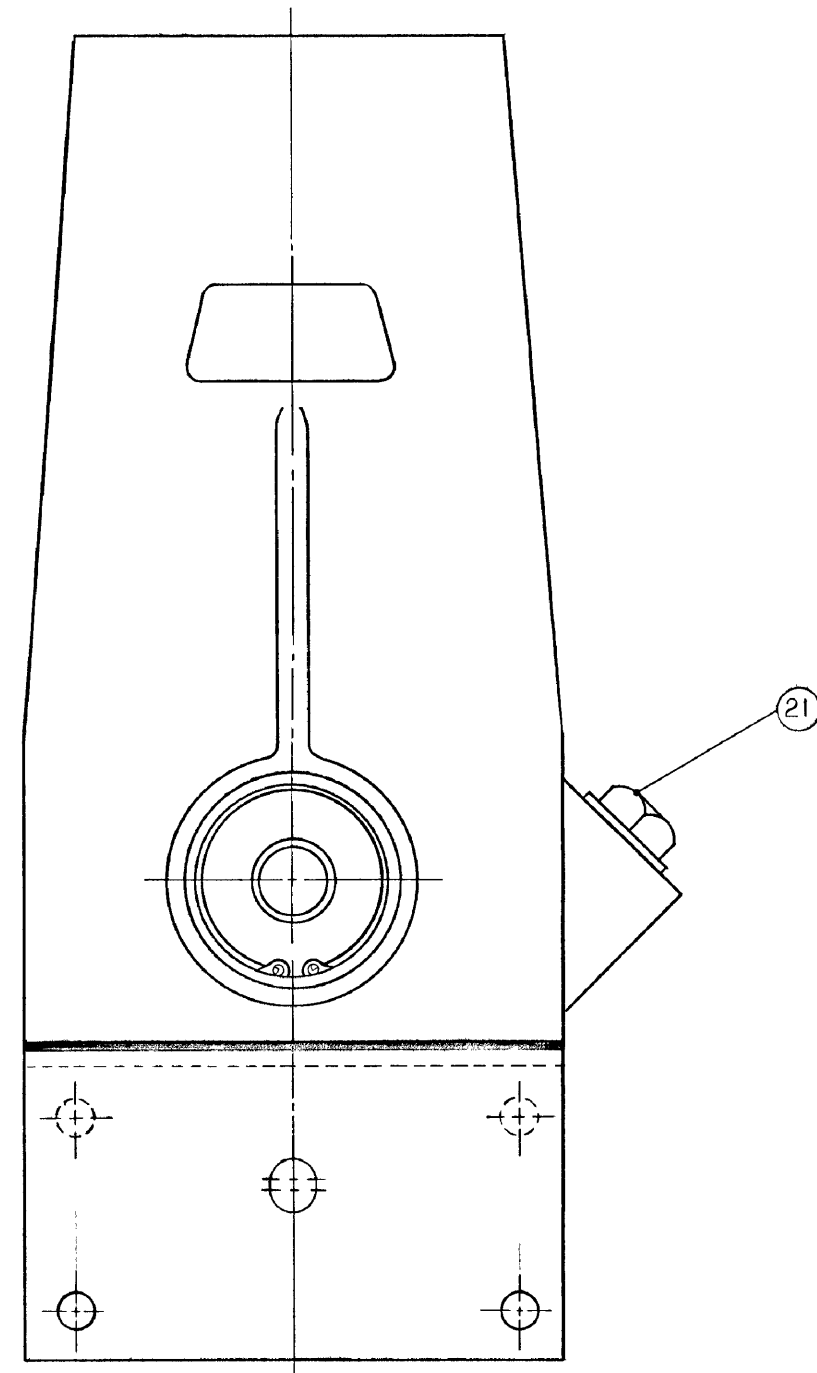
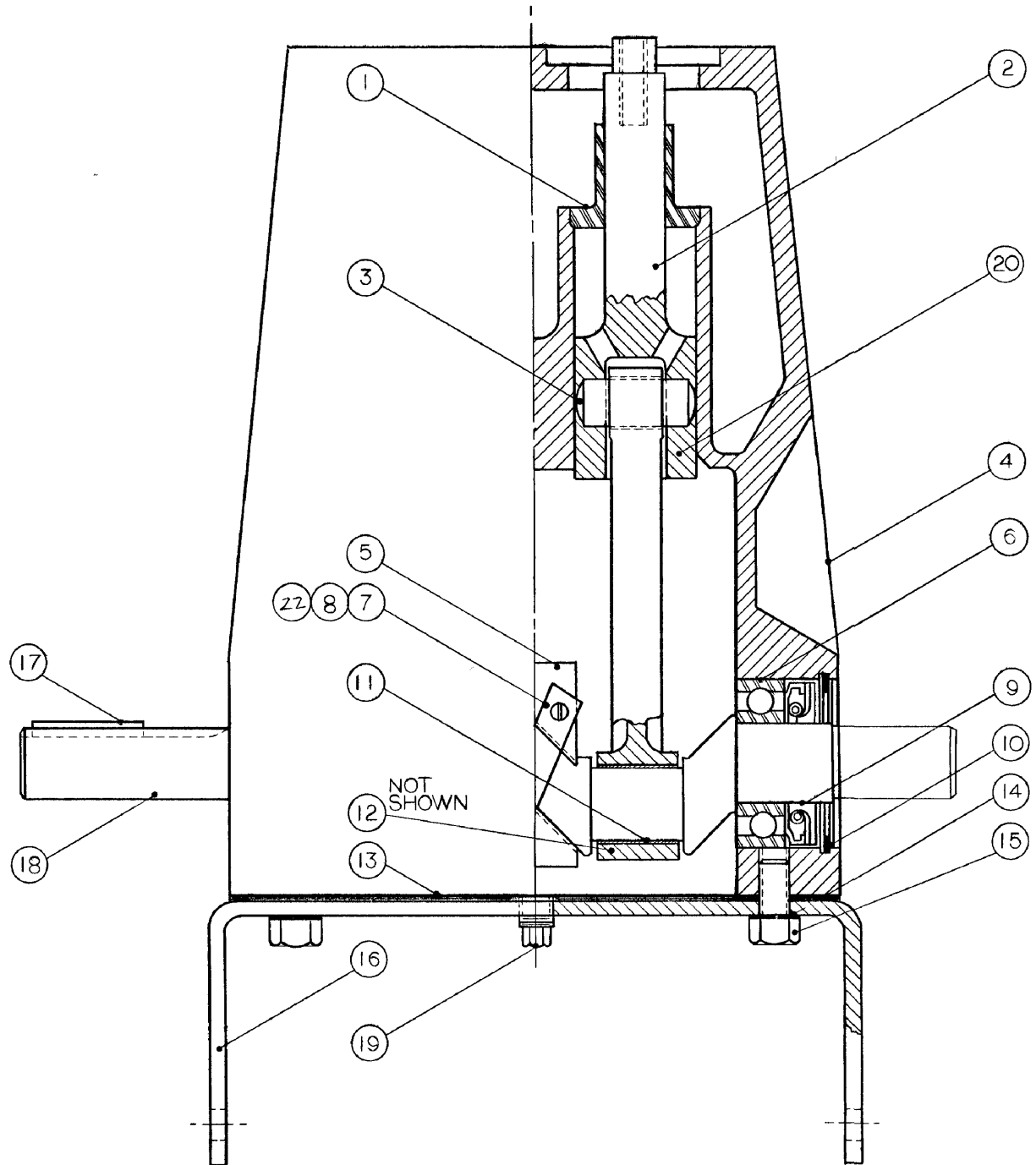
SCALE: NONE

SEE DETAILS

FILE NO: NC  
FILE SIZE: D  
PART NO: 1280177

PARTS LIST					
CHANGES	ITEM NO	NO REQ'D	DESCRIPTION	PART NUMBER	QTY
	1	2	CROSSHEAD, SLEEVE	1218743	A
	2	2	ASSEMBLY CONNECTING ROD	1263906	B
	3	2	WRIST PIN	1219650	A
	4	1	CASE	1267611	D
	5	1	OIL SLINGER	1255285	B
	6	2	BEARING FAFNIR 205 W	1177804	-
A	7	1	BOLTING STRIP	5241980	A
A	8	2	STOP NUT	1177576	-
	9	2	SEAL GARLOCK 205	1219669	-
	10	2	SNAP RING 5000-206	1113528	-
	11	4	BEARING INSERT	1263739	B
	12	4	HHCS 1/4-20x1 LOCK	1278439	-
	13	1	GASKET, BASE	1219606	B
	14	6	WASHER, WAVE	1177455	-
	15	6	HH CAP SCR 3/8-16x3/4	1100068	-
	16	1	BASE	1255297	B
	17	1	KEY 3/16 x 1-1/2	1108841	-
	18	1	CRANKSHAFT	1244980	C
	19	1	PIPE PLUG 1/4	1109666	-
	20	2	CROSSHEAD	1216823	B
	21	1	PIPE PLUG 3/4 SQ HD GALV	1105060	-
A	22	2	HEX HD CAP SCREW #10-24x 3/4 LG	320502	-
	23	1	NAMEPLATE	5277981	A
	24	2	SELF TAPPING SCREW	1187413	-

△△△  
 △△△  
 △△△



**PUMP SPECS:**

1. APPLY LIGHT OIL TO CONNECTING ROD BEARINGS, WRIST PINS AND CROSSHEADS (ITEMS 3, 23 & 11).
2. BOLT AND NUT TORQUES:  
 CONNECTING ROD BOLTS 6-8 FT LBS.  
 MOUNTING BASE BOLTS 15-20 FT LBS.

E REVISED BOM		DRAWN MBE		TOLERANCE ON DIMENSIONS NOT OTHERWISE SPECIFIED		FMC Corporation Agricultural Machinery Division Jonesboro Arkansas	
D CHANGE ITEM 22		CHECKED		FRACTIONAL	DECIMAL		ANGULAR
C REV BOM ITEM 7, 22 + TITLE		APPROVED		POWER END ASSEMBLY RH DRIVE A04			FILE SIZE D
B ADDED NAMEPLATE		DATE 10-5-89		MATERIAL			PART NO 5273548
A NUMEROUS CHANGES, SEE ECN		SCALE NONE		SEE BOM			

NEXT ASSEMBLY	NO REQ'D PER ASSEM
FIRST MADE FOR	