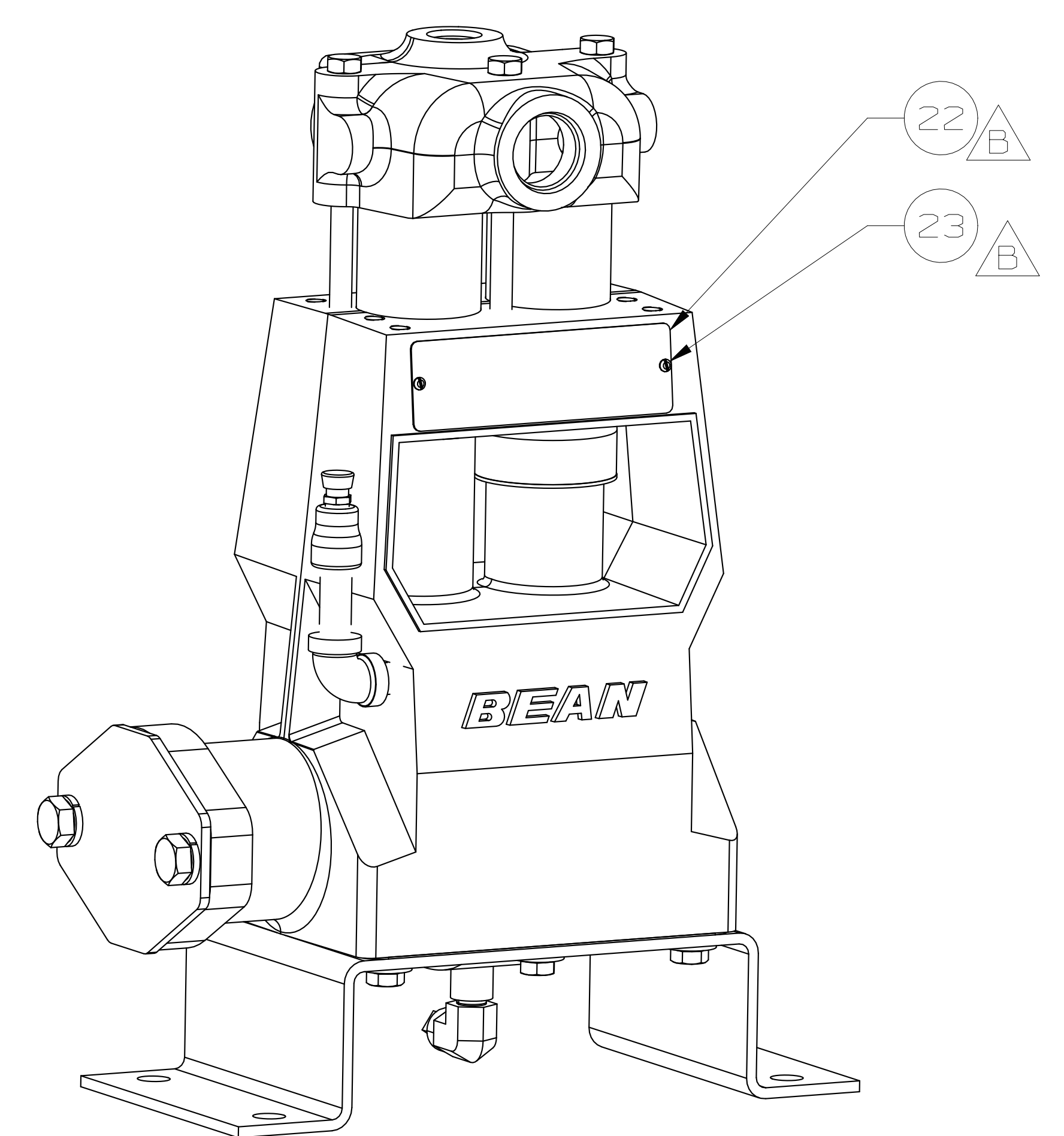
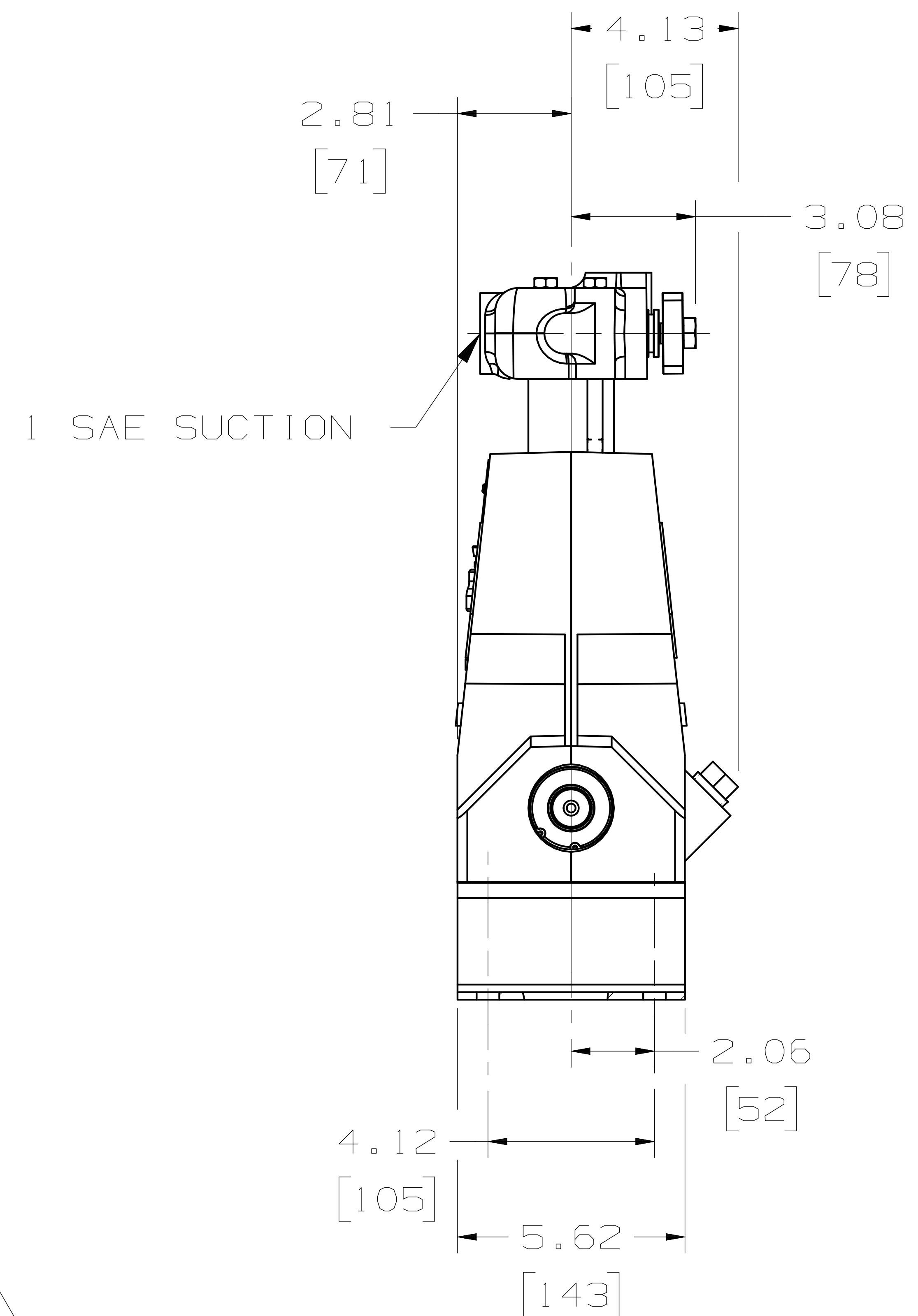
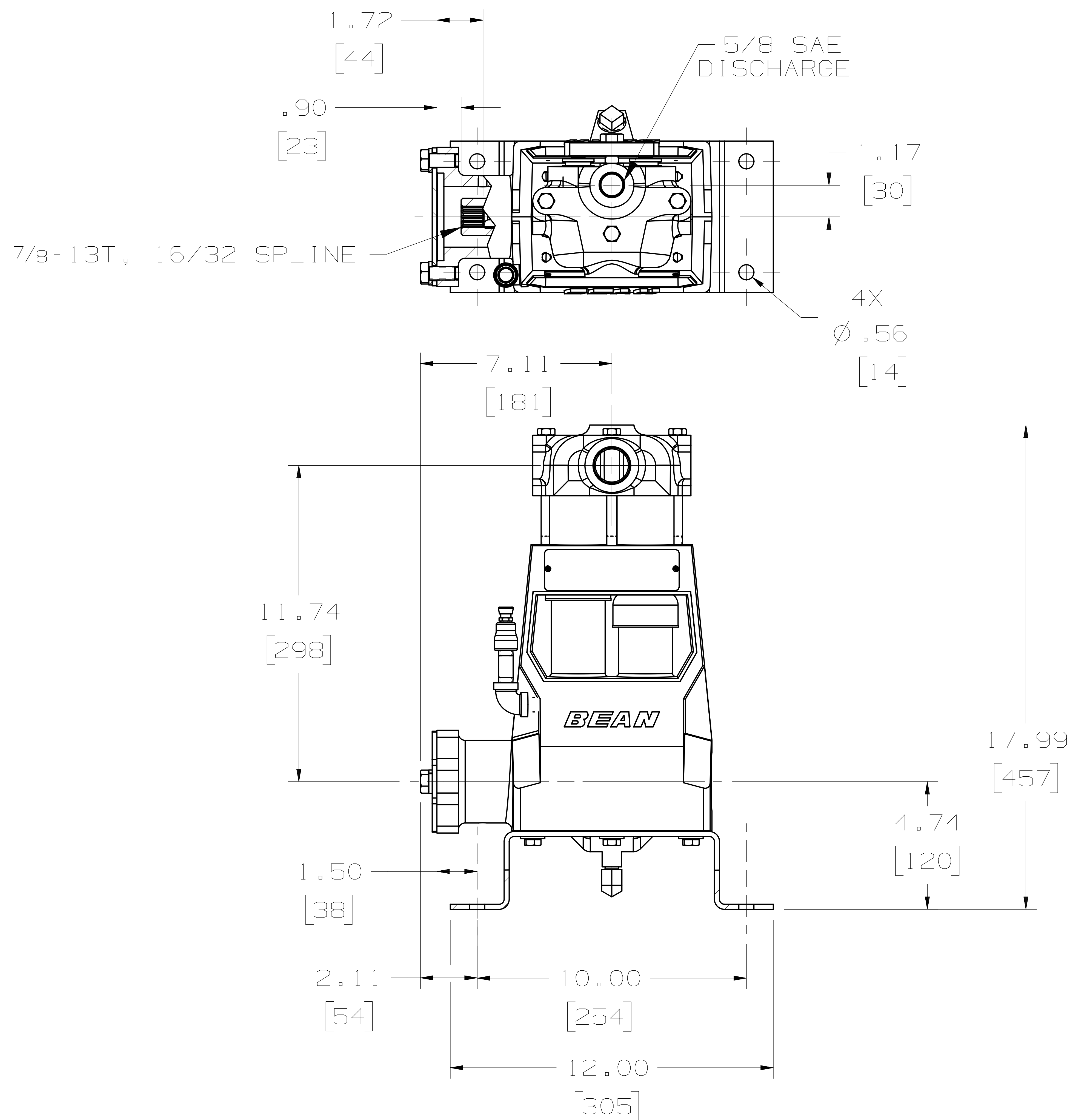


ITEM	DESCRIPTION	QTY
1	POWER END ASSEMBLY:	1
2	FLUID CYLINDER:	1
3	SPRING AND DISC ASSEMBLY:	4
4	SEAT:	4
5	CYLINDER:	2
6	PISTON CUP:	2
7	PISTON HOLDER:	2
8	VALVE COVER:	2
9	VALVE COVER CLAMP:	1
10	VALVE CAGE:	4
11	GASKET: VALVE COVER	2
12	UMBRELLA:	2
13	WASHER: UMBRELLA	2
14	O-RING: UNIFORM #015	2
15	O-RING: UNIFORM #033	2
16	O-RING: UNIFORM #213	6
17	CUP WASHER: A04	2
18	RING SEAL: CYLINDER	2
19	CAP SCREW HEX HEAD: 5/16 X 1.50 LG	2
20	CAP SCREW HEX HEAD: 3/8 X 5.00 LG	3
21	CAP SCREW HEX HEAD: 1/2 X 1.50 LG	1
22	NAMEPLATE:	1
23	SELF TAPPING SCREW:	2
24	CAPLUG: INT #14-S (NOT SHOWN)	1
25	THREAD PROTECTOR: #T-12 (NOT SHOWN)	1



SECTION A - A

PRIVATE AND CONFIDENTIAL THIS DOCUMENT AND ALL THE INFORMATION CONTAINED HEREIN ARE THE CONFIDENTIAL AND EXCLUSIVE PROPERTY OF FMC TECHNOLOGIES AND MAY NOT BE REPRODUCED, USED, DISCLOSED, OR MADE PUBLIC IN ANY MANNER PRIOR TO EXPRESS WRITTEN AUTHORIZATION BY FMC TECHNOLOGIES. THIS DOCUMENT IS ACCEPTED PURSUANT TO AGREEMENT TO THE FOREGOING, AND MUST BE RETURNED UPON DEMAND. MANUFACTURER AGREES THAT ARTICLES MADE IN ACCORDANCE WITH THIS DOCUMENT SHALL BE CONSIDERED FMC TECHNOLOGIES' DESIGN, AND THAT IDENTICAL ARTICLES OR PARTS THEREOF SHALL NOT BE MANUFACTURED FOR THE USE OR SALE BY MANUFACTURER OR ANY OTHER PERSON OR ENTITY WITHOUT PRIOR EXPRESS WRITTEN AUTHORIZATION BY FMC TECHNOLOGIES.	UNLESS OTHERWISE SPECIFIED DO NOT SCALE THIS DRAWING ALL DIMENSIONS ARE IN INCHES (MM) BREAK SHARP EDGES .015 (1.381) MAXIMUM INSIDE CORNER RADIUS .030 (1.762) MAXIMUM THREADS CONFORM TO FEDERAL STANDARD H-28 TAPERED THREADS CONFORM TO API 6A BOLT HOLES MUST STRADDLE COMMON CENTERLINE FINISH 250 RMS ALL DIA'S CONCENTRIC WITHIN .010 (1.254) T.I.R.	TOLERANCE .X .. ± .030 (0.762) .XX .. ± .015 (0.381) .XXX .. ± .005 (0.127) ANGLE .. ± 0° 30'	DESCRIPTION PUMP ASSEMBLY: A0413 C LH, W/1 SAE X 5/8 SAE FLUID END, PISTON, DISC VALVE ASSEMBLIES, HYD DRIVE, MOUNTING FEET	DRAWN BY: WOLVERTON, JARROD	DATE: 27-JAN-2011	FMC Technologies
				DRAFTING CHECKED: WOLVERTON, JARROD	DATE: 27-JAN-2011	
				MANUFACTURING APPROVAL: APPROVED BY: SINGLETERRY, RONALD	DATE: 14-FEB-2011	LATEST ECN NO. 5020526 DRAWING NUMBER DUS00009525 SHEET 1/2



PRIVATE AND CONFIDENTIAL
 THIS DOCUMENT AND ALL THE INFORMATION CONTAINED HEREIN ARE THE CONFIDENTIAL AND EXCLUSIVE PROPERTY OF FMC TECHNOLOGIES AND MAY NOT BE REPRODUCED, USED, DISCLOSED, OR MADE PUBLIC IN ANY MANNER PRIOR TO EXPRESS WRITTEN AUTHORIZATION BY FMC TECHNOLOGIES. THIS DOCUMENT IS ACCEPTED PURSUANT TO AGREEMENT TO THE FOREGOING, AND MUST BE RETURNED UPON DEMAND.
 MANUFACTURER AGREES THAT ARTICLES MADE IN ACCORDANCE WITH THIS DOCUMENT SHALL BE CONSIDERED FMC TECHNOLOGIES' DESIGN, AND THAT IDENTICAL ARTICLES OR PARTS THEREOF SHALL NOT BE MANUFACTURED FOR THE USE OR SALE BY MANUFACTURER OR ANY OTHER PERSON OR ENTITY WITHOUT PRIOR EXPRESS WRITTEN AUTHORIZATION BY FMC TECHNOLOGIES.

ENGINEERING
 DIMENSIONAL
 OUTLINE

DESCRIPTION
 PUMP ASSEMBLY; A0413 C LH, W/1 SAE X 5/8 SAE FLUID END, PISTON, DISC VALVE ASSEMBLIES, HYD DRIVE, MOUNTING FEET

DRAWN BY: WOLVERTON, JARROD	DATE: 27-JAN-2011
DRAFTING CHECK: WOLVERTON, JARROD	DATE: 27-JAN-2011
DESIGN REVIEW: MCCLAIN, MATHEW	DATE: 14-FEB-2011
MANUFACTURING APPROVAL:	DATE:
APPROVED BY: SINGLETERRY, RONALD	DATE: 14-FEB-2011

FMC Technologies

LATEST ECN NO. 5020526	REV. B
DRAWING NUMBER DU500009525	SHEET 2/2

COPYRIGHT FMC TECHNOLOGIES