

ITEM	NO. REQD	PART NO.	PART NAME
1	1	P504919	POWER END ASSEMBLY:
2	1	3267276	FLUID CYLINDER:
3	4	1219615	VALVE SEAT:
4	4	3266811	DISC & SPRING ASSEMBLY:
5	4	1219610	CAGE:
6	2	1241364	CERAMIC CYLINDER:
7	2	3267349	CUP: 1 5/8", HSN W/EMERALON COATING
8	2	1282557	PACKING HOLDER:
9	2	5257986	PACKING WASHER:
10	2	1219614	VALVE COVER:
11	6	3264075	O-RING: 1 3/16" OD X 1/8" NOM., BUNA-N
12	1	1255887	VALVE COVER CLAMP:
13	1	1100064	HEX HD CAP SCREW: 1/2-13 X 1 1/2' LG.
14	2	1177841	O-RING: 2 1/8" OD X 1/8" NOM., BUNA-N
15	2	1279148	UMBRELLA: BLACK
16	2	1269388	UMBRELLA WASHER:
17	2	1101339	O-RING: 1/8" OD X 1/16" NOM., BUNA-N
18	1	1177200	CAPLUG: INT. 12
19	1	1177201	CAPLUG: INT.
20	3	1101262	HEX HD CAP SCREW: 3/8-16 X 5' LG.
21	2	A91684	CYLINDER GASKET:
22	2	1284516	HEX HD CAP SCREW: 5/16-18 X 1 1/2' LG.
23	2	1285170	SEAL RING:
24	1	5266228	LIT KIT:

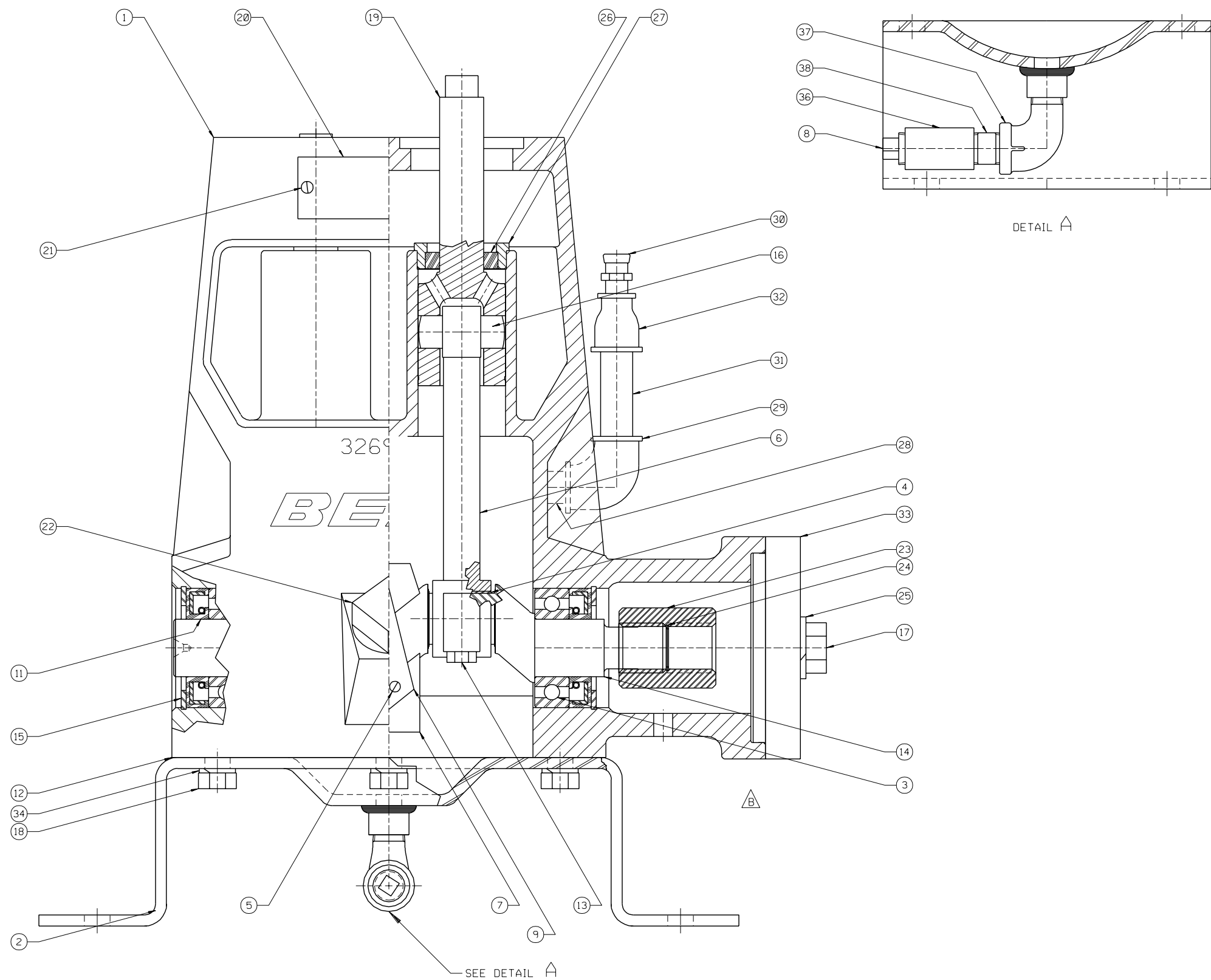
NOTES:

- TORQUE ITEMS 13, 20 & 22 PER ENGINEERING SPEC. AS-22
- TEST AT 500 RPM, 750 PSI
- RETORQUE ALL ITEM 20'S AFTER TEST
- STAMP NAMEPLATE WITH THE FOLLOWING DATA:  
 MODEL NO. - A0413      PART NO. - P530414  
 MAX RPM - 500      POWER - 3.5 HP/4.0 KW  
 FLOW - 9 GPM/34 LPM      MAX PRESSURE - 750 PSI/5170 KPA  
 SERIAL NO. - \_\_\_\_\_
- PAINT PER ENGR SPEC CP-20

<small>This drawing is the property of FMC Technologies, and may not be used, reproduced, published, or disclosed to others, without express authorization of FMC Technologies.</small>			
<small>Unless Otherwise Specified:          Round all bars &amp; sharp corners .015 R.          All diameters concentric within .010 T.L.R.          Angles ±1/2°          .X ±.1          .XX ±.015          .XXX ±.005          Finish 125 RMS          All dimensions are in inches</small>		PUMP ASSEMBLY A0413C, W/1" NPT X 1/2" NPT FLUID END, HSN PISTON, 440 SST DISC VALVE ASSEMBLIES, HYD DRIVE, MOUNTING FEET	
<small>RELEASED FOR PRODUCTION</small> ECN      DATE	DRAWN SJK    08-16-05    SCALE:    NONE CKD.    TDL    08-16-05    SIZE    DRAWING NO. APPD.    KTR    08-16-05    D      DM500000463	<small>COPYRIGHT FMC TECHNOLOGIES</small>	

A	NEW ISSUE	✓	SJK	08-16-05
REV	WAS		ECN	BY DATE

DM500000463



ITEM	NO. REQD	PART NO.	PART NAME
1	1	3269005	POWER FRAME:
2	1	P504969	BACKCOVER: W/MOUNTING FEET
3	2	1177804	BALL BEARING:
4	4	1263739	BEARING INSERT:
5	2	320502	HEX HD CAP SCREW: 10 -24 X 3/4" LG
6	2	1263906	CONNECTING ROD:
7	1	1255285	OIL SLINGER:
8	1	1105666	PLUG: 1/4" PIPE
9	1	5261980	BOLTING STRIP:
10	2	1177576	STOP NUT: 10-24 (NOT SHOWN)
11	2	1219669	OIL SEAL:
12	1	1219606	GASKET:
13	4	1278439	HEX HD CAP SCREW: 1/4-20 X 1" LG
14	1	3269009	CRANKSHAFT:
15	2	1113528	RETAINER RING: INT 2.06 BORE
16	2	1219650	WRIST PIN:
17	2	3226393	HEX HD CAP SCREW: 1/2-13 X 1 1/2" LG
18	6	1100068	HEX HD CAP SCREW: 3/8-16 X 3/4" LG
19	2	1216823	CROSSHEAD:
20	1	5277981	NAMEPLATE:
21	2	1187413	SELF-TAPPING SCREW: #4 X 3/16" LG
22	1	1105060	PLUG: 3/4" PIPE
23	1	3269007	COUPLING:
24	1	3269008	RETAINER RING: INT .66 BORE
25	2	1100245	LOCK WASHER: 1/2"
26	2	1283603	SEAL:
27	2	3267598	SEAL HOLDER:
28	1	P501296	NIPPLE: 1/4"NPT
29	1	1105017	STREET ELBOW:1/4" NPT
30	1	1177536	LUBE VENT:
31	1	1105743	NIPPLE: 1/4" NPT X 2" LG.
32	1	3268118	REDUCER: 1/4" NPT X 1/8" NPT
33	1	3269015	COVER: FLANGE
34	6	1177455	SPRING WASHER:
35	1	3269460	PLUG: 1/4" NPT (NS)
36	1	P503280	COUPLING: 1/4" NPT
37	1	P504930	STREET ELBOW: 1/4" NPT
38	1	P504970	NIPPLE: 1/4" NPT, 1.00 LG

NOTES:  
 1 TORQUE FASTENER PER FMC SPEC AS-22  
 2 PROTECT MOUNT FLANGE FACE AT ALL TIMES  
 3 ITEM 35 TO BE INSTALLED AFTER TESTS, BEFORE CLEANING AND PAINTING

C	REV BOM ITEM 28	5008664	DRG 07-12-01
B	REV GRAPHICS	5009441	BKM 03-17-98
A	NEW ISSUE	1	SJK 06-26-96
REV	WAS	ECN	BY DATE

RELEASED FOR PRODUCTION	ECN	DATE	5001833	03-10-98
DRAWN	SJK	02-25-98	SCALE:	NONE
CKD.	BKM	02-27-98	SIZE	DRAWING NO.
APPD.	RMc	03-09-98	D	P504919

This drawing is the property of FMC Corporation and may not be used, reproduced, published, or disclosed to others without express authorization FMC Corp.

**FMC** FMC Corporation  
 Fluid Control Division  
 2825 W. Washington Box 1377  
 Stephenville, Texas 76481

POWER END ASSEMBLY  
 F/A04, LH, W/7/8-13T, 16/32, SPLINE,  
 2 BOLT HYD. MOTOR MOUNT &  
 MOUNTING FEET

P504919