

ITEM	DESCRIPTION	QTY
1	POWER END ASSEMBLY:	1
2	FLUID CYLINDER:	1
3	SPRING AND DISC ASSEMBLY:	4
4	SEAT:	4
5	CYLINDER:	2
6	PISTON CUP:	2
7	PISTON HOLDER:	2
8	VALVE COVER:	2
9	VALVE COVER CLAMP:	1
10	VALVE CAGE:	4
11	GASKET: VALVE COVER	2
12	UMBRELLA:	2
13	WASHER: UMBRELLA	2
14	O-RING: UNIFORM #015	2
15	O-RING: UNIFORM #033	2
16	O-RING: UNIFORM #213	6
17	CUP WASHER: A04	2
18	RING SEAL: CYLINDER	2
19	HYDRAULIC MOTOR: EATON SERIES 2000	1
20	CAP SCREW HEX HEAD: 5/16 X 1.50 LG	2
21	CAP SCREW HEX HEAD: 3/8 X 5.00 LG	3
22	CAP SCREW HEX HEAD: 1/2 X 1.50 LG	1
23	CAP SCREW: HEX SOC HEAD, 1/2 X 1.50 LG	2
24	NAMEPLATE:	1
25	SELF TAPPING SCREW:	2

PRIVATE AND CONFIDENTIAL UNLESS OTHERWISE AGREED TO IN WRITING, THIS DOCUMENT AND ALL THE INFORMATION CONTAINED HEREIN ARE THE CONFIDENTIAL AND EXCLUSIVE PROPERTY OF FMC TECHNOLOGIES AND MAY NOT BE REPRODUCED, USED, DISCLOSED, OR MADE PUBLIC IN ANY MANNER PRIOR TO EXPRESS WRITTEN AUTHORIZATION BY FMC TECHNOLOGIES. THIS DOCUMENT IS ACCEPTED PURSUANT TO AGREEMENT TO THE FOREGOING, AND MUST BE RETURNED UPON DEMAND. MANUFACTURER AGREES THAT ARTICLES MADE IN ACCORDANCE WITH THIS DOCUMENT SHALL BE CONSIDERED FMC TECHNOLOGIES' DESIGN, AND THAT IDENTICAL ARTICLES OR PARTS THEREOF SHALL NOT BE MANUFACTURED FOR THE USE OR SALE BY MANUFACTURER OR ANY OTHER PERSON OR ENTITY WITHOUT PRIOR EXPRESS WRITTEN AUTHORIZATION BY FMC TECHNOLOGIES.	UNLESS OTHERWISE SPECIFIED DO NOT SCALE THIS DRAWING ALL DIMENSIONS ARE IN INCHES (MILLIMETERS) BREAK SHARP EDGES .015 (0.381) MAXIMUM INSIDE CORNER RADII .030 (0.762) MAXIMUM ALL SURFACE TEXTURES Ra 250 MICROINCHES (6.3 MICROMETERS) ALL COAXIAL DIA'S .010 TIR TO SINGLE AXIS DIM AND TOL PER ASME Y14.5-2009	TOLERANCE .X - + .030 (0.762) .XX - + .015 (0.381) .XXX - + .005 (0.127) ANGLE - + 0° 30'	DESCRIPTION: PUMP ASSEMBLY: A0413 LH, W/1 SAE TUBING X 5/8 SAE TUBING FLUID END, PISTON CUP DISC VALVE ASSEMBLIES, MOUNTING FEET, W/2000 SERIES HYDRAULIC MOTOR	DRAWN BY: WOLVERTON, JARROD	DATE: 18-MAR-2016	
				DRAFTING CHECKED: WOLVERTON, JARROD	DATE: 18-MAR-2016	
				DESIGN REVIEWER: GILL, CODY	DATE: 10-NOV-2016	
				MANUFACTURING APPROVAL:	DATE:	
APPROVED BY: KOWALSKI, CHRISTOPHER	DATE: 10-NOV-2016	SHEET SIZE D	LATEST ECN NUMBER 5039707	REV. B	DRAWING NUMBER DUS00028308	SHEET 1/2
COPYRIGHT © FMC TECHNOLOGIES						

1 2 3 4 5 6 7 8 9 10 11 12

A

B

C

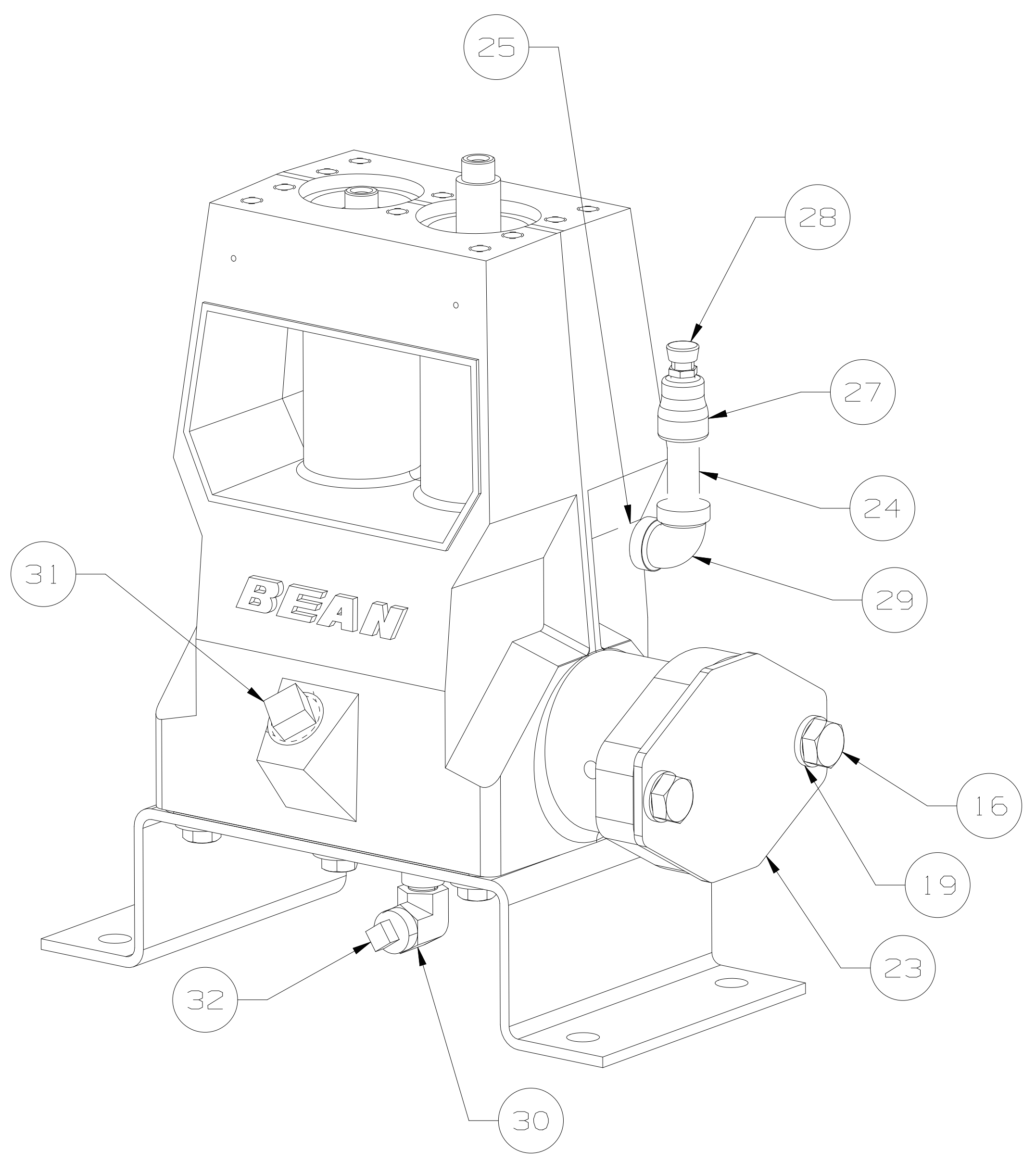
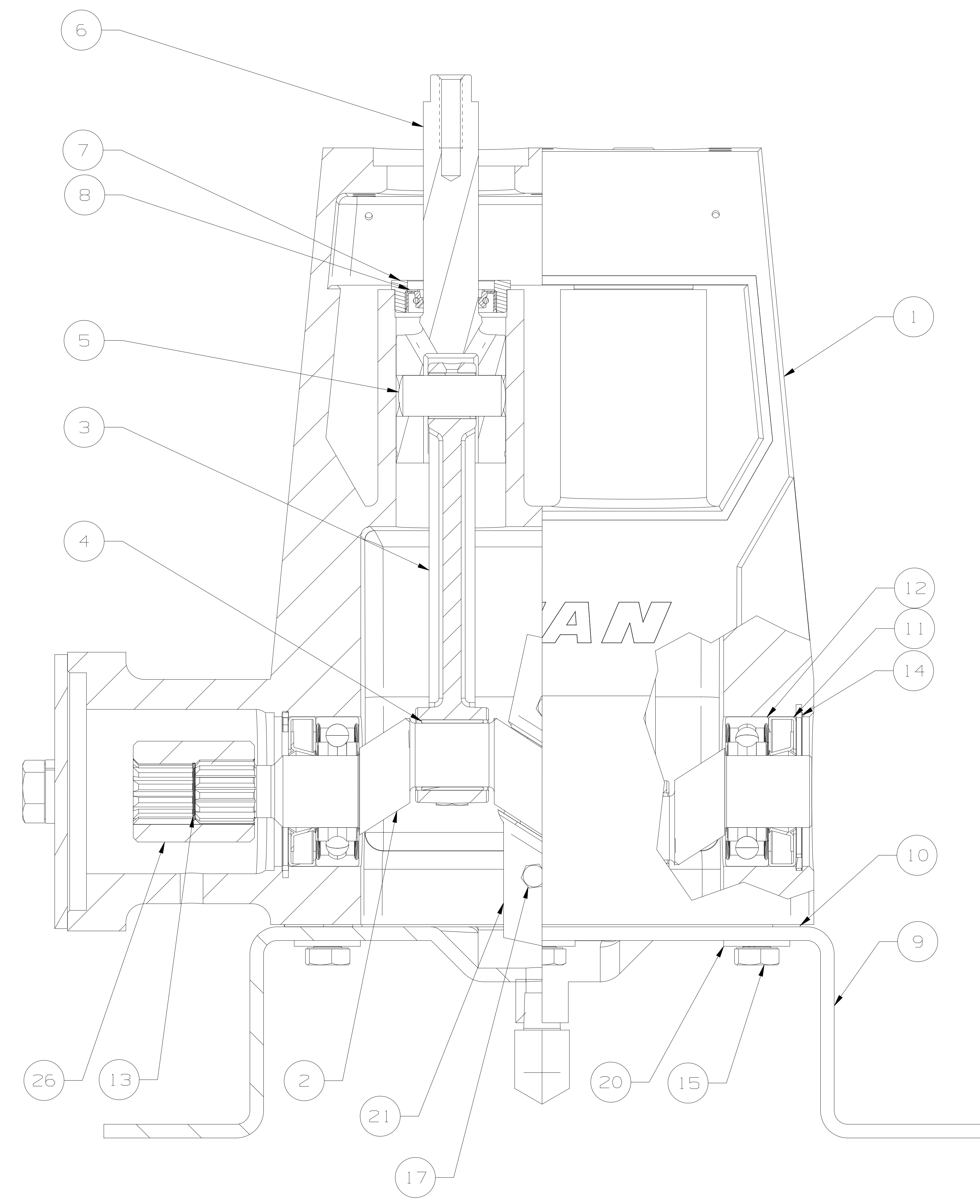
D

E

F

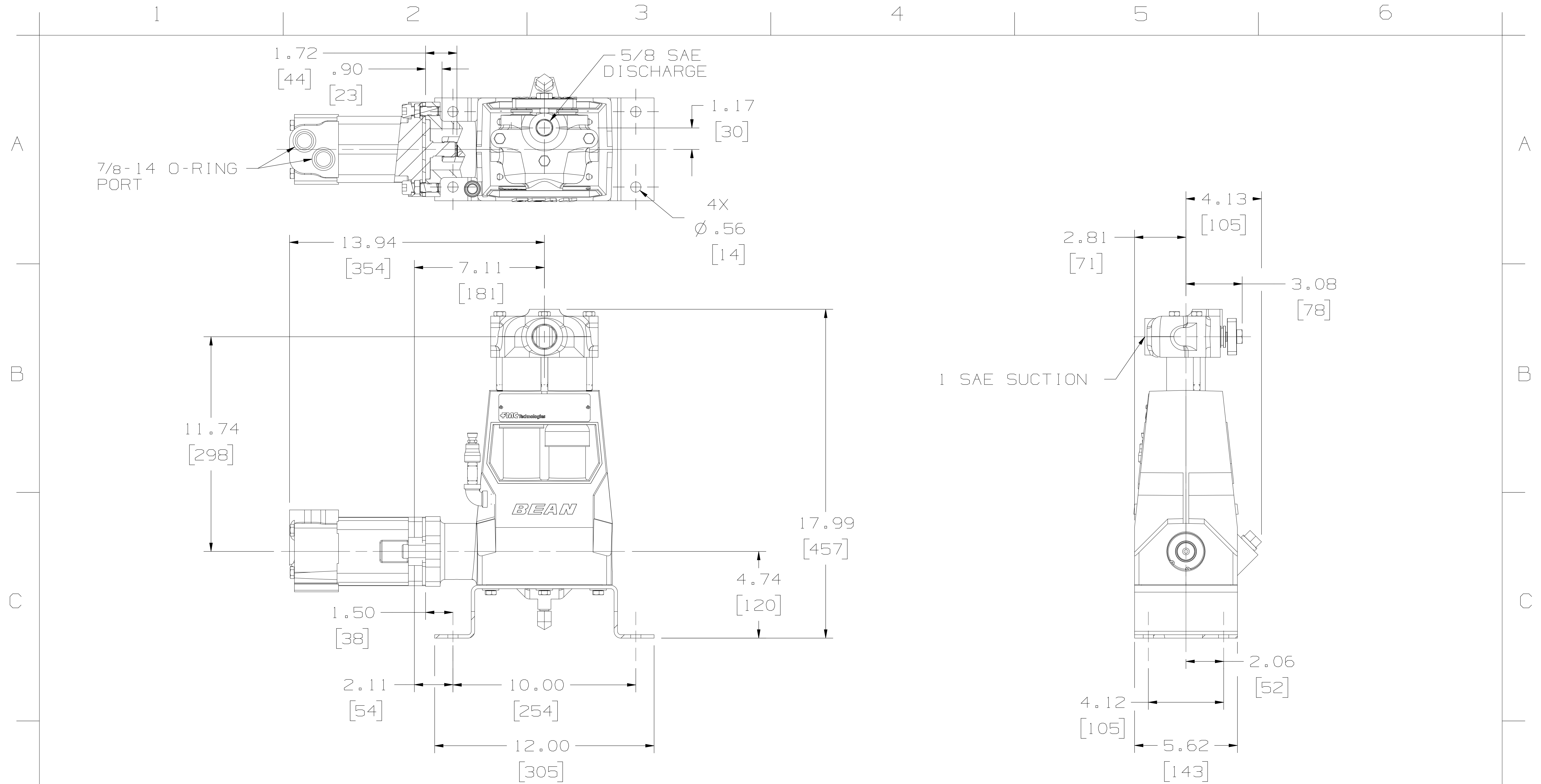
G

H



ITEM	DESCRIPTION	QTY
1	POWER FRAME:	1
2	CRANK:	1
3	CONNECTING ROD:	2
4	ROD BEARING: HALF SHELL	4
5	WRIST PIN:	2
6	CROSSHEAD:	2
7	SEAL HOLDER:	2
8	SEAL: PONY ROD	2
9	BACK COVER:	1
10	GASKET: BACK COVER	1
11	SHAFT SEAL:	2
12	BALL BEARING:	2
13	RETAINER RING: WH-75	1
14	RETAINING RING:	2
15	CAP SCREW: HEX HEAD, 3/8 X .75 LG	6
16	CAP SCREW: HEX HEAD, 1/2 X 1.00 LG	2
17	CAP SCREW: HEX HD #10 X .75 LG	2
18	HEX NUT: #10 (NOT SHOWN)	2
19	LOCK WASHER: REGULAR, 1/2	2
20	WASHER: BELLEVILLE, 3/8	6
21	OIL SLINGER: RH	1
22	BOLTING STRIP: (NOT SHOWN)	1
23	PROTECTIVE COVER:	1
24	NIPPLE: 1/4 S40, 1/4 NPT X 2.00LG	1
25	NIPPLE: 1/4 S40, 1/4 NPT X 1.25LG	1
26	COUPLING:	1
27	REDUCER: 1/4 NPT X 1/8 NPT	1
28	LUBE VENT: 1/8 PTF	1
29	ELBOW: 1/4 FEMALE NPT	1
30	STREET ELBOW; 1/4 NPT	1
31	PIPE PLUG: SQ HEAD, 3/4 NPT	1
32	PIPE PLUG: 1/4 NPT	1
33	PIPE PLUG: SQ HEAD, 1/8 NPT (NOT SHOWN)	1

<p>PRIVATE AND CONFIDENTIAL</p> <p>UNLESS OTHERWISE AGREED TO IN WRITING, THIS DOCUMENT AND ALL THE INFORMATION CONTAINED HEREIN ARE THE CONFIDENTIAL AND EXCLUSIVE PROPERTY OF FMC TECHNOLOGIES AND MAY NOT BE REPRODUCED, USED, DISCLOSED, OR MADE PUBLIC IN ANY MANNER PRIOR TO EXPRESS WRITTEN AUTHORIZATION BY FMC TECHNOLOGIES. THIS DOCUMENT IS ACCEPTED PURSUANT TO AGREEMENT TO THE FOREGOING, AND MUST BE RETURNED UPON DEMAND.</p> <p>MANUFACTURER AGREES THAT ARTICLES MADE IN ACCORDANCE WITH THIS DOCUMENT SHALL BE CONSIDERED FMC TECHNOLOGIES' DESIGN, AND THAT IDENTICAL ARTICLES OR PARTS THEREOF SHALL NOT BE MANUFACTURED FOR THE USE OR SALE BY MANUFACTURER OR ANY OTHER PERSON OR ENTITY WITHOUT PRIOR EXPRESS WRITTEN AUTHORIZATION BY FMC TECHNOLOGIES.</p>	<p>UNLESS OTHERWISE SPECIFIED</p> <p>DO NOT SCALE THIS DRAWING</p> <p>ALL DIMENSIONS ARE IN INCHES (MILLIMETERS)</p> <p>BREAK SHARP EDGES .015 (0.381) MAXIMUM</p> <p>INSIDE CORNER RADII .030 (0.762) MAXIMUM</p> <p>ALL SURFACE TEXTURES Ra 250 MICROMETERS (6.3 MICROMETERS)</p> <p>ALL COAXIAL DIA'S .010 TIR TO SINGLE AXIS DIM AND TOL PER ASME Y14.5-2009</p>	<p>TOLERANCE</p> <p>.X .XX .XXX .030 (0.762)</p> <p>.XX .XXX .015 (0.381)</p> <p>.XXX .005 (0.127)</p> <p>ANGLE . . . 0° 30'</p>	<p>DESCRIPTION</p> <p>POWER END ASSEMBLY; A04 LH OR RH, SAE A HYDRAULIC DRIVE, 13 TOOTH SPLINE, W/ MOUNTING FEET</p>	<p>DRAWN BY:</p> <p>WOLVERTON, JARROD</p>	<p>DATE:</p> <p>09-SEP-2016</p>	<p>FMC Technologies</p>	
				<p>DRAFTING CHECK:</p> <p>WOLVERTON, JARROD</p>	<p>DATE:</p> <p>04-OCT-2016</p>		<p>DESIGN REVIEW:</p> <p>GILL, CODY</p>
<p>MANUFACTURING APPROVAL:</p>	<p>DATE:</p>	<p>LATEST EGN NUMBER</p> <p>5040913</p>	<p>REV.</p> <p>D</p>	<p>APPROVED BY:</p> <p>MCCLAINE, MATHEW</p>	<p>DATE:</p> <p>01-NOV-2016</p>	<p>DRAWING NUMBER</p> <p>DUS00001878</p>	<p>SHEET</p> <p>1/1</p>



PRIVATE AND CONFIDENTIAL

UNLESS OTHERWISE AGREED TO IN WRITING, THIS DOCUMENT AND ALL THE INFORMATION CONTAINED HEREIN ARE THE CONFIDENTIAL AND EXCLUSIVE PROPERTY OF FMC TECHNOLOGIES AND MAY NOT BE REPRODUCED, USED, DISCLOSED, OR MADE PUBLIC IN ANY MANNER PRIOR TO EXPRESS WRITTEN AUTHORIZATION BY FMC TECHNOLOGIES. THIS DOCUMENT IS ACCEPTED PURSUANT TO AGREEMENT TO THE FOREGOING, AND MUST BE RETURNED UPON DEMAND.

MANUFACTURER AGREES THAT ARTICLES MADE IN ACCORDANCE WITH THIS DOCUMENT SHALL BE CONSIDERED FMC TECHNOLOGIES' DESIGN, AND THAT IDENTICAL ARTICLES OR PARTS THEREOF SHALL NOT BE MANUFACTURED FOR THE USE OR SALE BY MANUFACTURER OR ANY OTHER PERSON OR ENTITY WITHOUT PRIOR EXPRESS WRITTEN AUTHORIZATION BY FMC TECHNOLOGIES.

ENGINEERING DIMENSIONAL OUTLINE

DESCRIPTION

PUMP ASSEMBLY; A0413 LH, W/1 SAE TUBING X 5/8 SAE TUBING FLUID END, PISTON CUP DISC VALVE ASSEMBLIES, MOUNTING FEET, W/2000 SERIES HYDRAULIC MOTOR

DRAWN BY: WOLVERTON, JARROD

DATE: 18-MAR-2016

DRAFTING CHECK: WOLVERTON, JARROD

DATE: 18-MAR-2016

DESIGN REVIEW: GILL, CODY

DATE: 10-NOV-2016

MANUFACTURING APPROVAL:

DATE:

APPROVED BY: KOWALSKI, CHRISTOPHER

DATE: 10-NOV-2016



SHEET SIZE B

ECN NUMBER 5039707

DRAWING NUMBER DU500028308

REV. B

SHEET 2/2

COPYRIGHT FMC TECHNOLOGIES