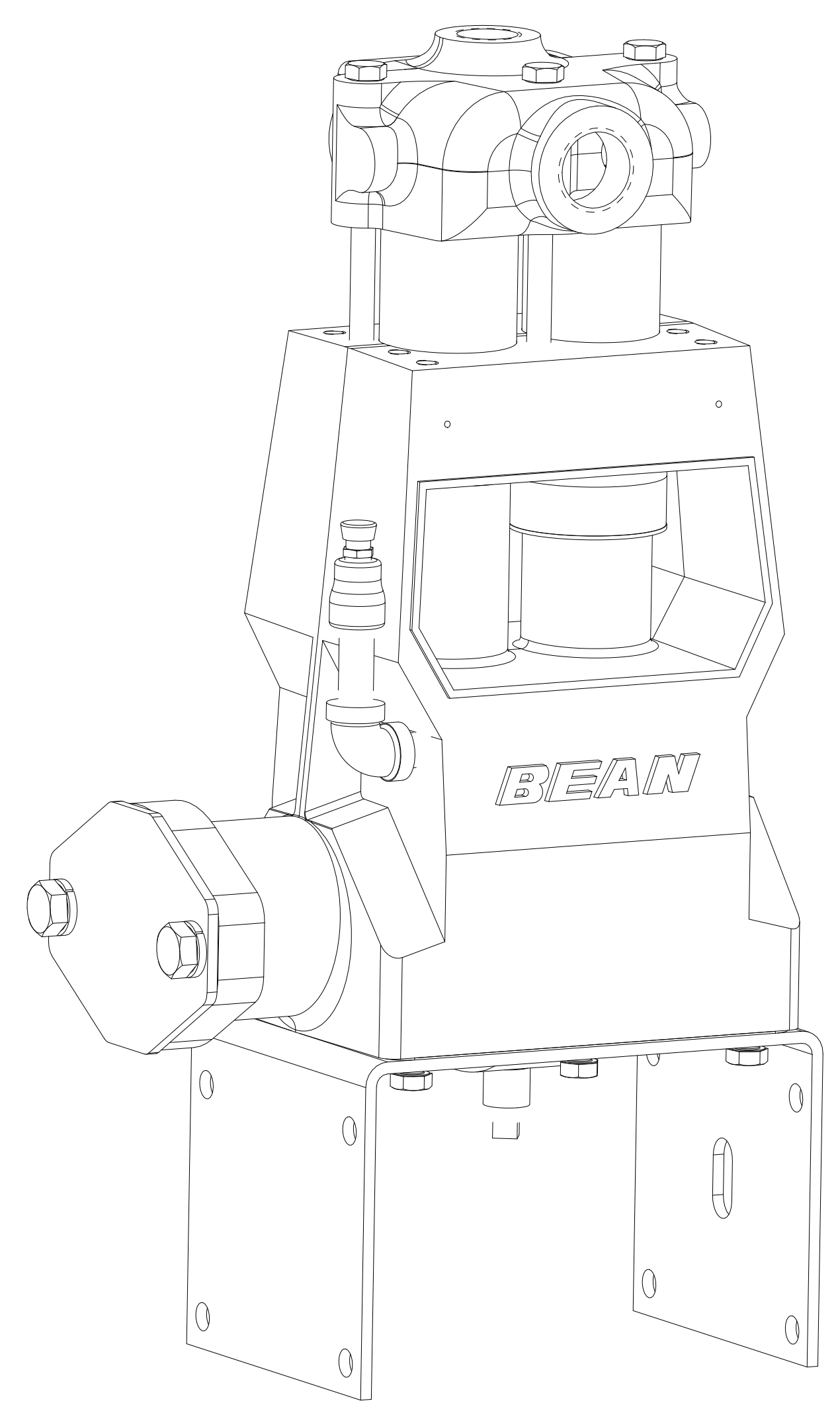


ITEM	DESCRIPTION	QTY
1	POWER END ASSEMBLY:	1
2	FLUID CYLINDER:	1
3	SPRING AND DISC ASSEMBLY:	4
4	SEAT:	4
5	CYLINDER:	2
6	PISTON CUP:	2
7	PISTON HOLDER:	2
8	VALVE COVER:	2
9	VALVE COVER CLAMP:	1
10	VALVE CAGE:	4
11	GASKET: VALVE COVER	4
12	UMBRELLA: F/E04	2
13	WASHER: UMBRELLA	2
14	O-RING: #112	2
15	O-RING: #213	6
16	CUP WASHER: A04	2
17	HHCS: .31 X 1.50LG	2
18	HHCS: .38 X 5.00LG	3
19	HHCS: 1/2 X 1.50LG	1
20	THREAD PROTECTOR: CAPPLUGS #T-12 (N.S.)	1
21	CAPPLUG INT 14 (N.S.)	1
22	NAMEPLATE:	1
23	SELF TAPPING SCREW:	2



SECTION A-A

PRIVATE AND CONFIDENTIAL <small>UNLESS OTHERWISE AGREED TO IN WRITING, THIS DOCUMENT AND ALL THE INFORMATION CONTAINED HEREIN ARE THE CONFIDENTIAL AND EXCLUSIVE PROPERTY OF FMC TECHNOLOGIES AND MAY NOT BE REPRODUCED, USED, DISCLOSED, OR MADE PUBLIC IN ANY MANNER PRIOR TO EXPRESS WRITTEN AUTHORIZATION BY FMC TECHNOLOGIES. THIS DOCUMENT IS ACCEPTED PURSUANT TO AGREEMENT TO THE FOREGOING, AND MUST BE RETURNED UPON DEMAND.</small>	UNLESS OTHERWISE SPECIFIED DO NOT SCALE THIS DRAWING ALL DIMENSIONS ARE IN INCHES (MILLIMETERS) BREAK SHARP EDGES .015 (0.381) MAXIMUM INSIDE CORNER RADII .030 (0.762) MAXIMUM ALL SURFACE TEXTURES Ra 250 MICROINCHES (6.3 MICROMETERS) ALL COAXIAL DIA'S .010 TIR TO SINGLE AXIS DIM AND TOL PER ASME Y14.5-2009	TOLERANCE .X - . + .030 (0.762) .XX - . + .015 (0.381) .XXX - . + .005 (0.127) ANGLE - . + 0° 30'	DESCRIPTION: PUMP ASSEMBLY: A0413 RH, W/1 NPT X 3/4 NPT FLUID END, PISTON CUP DISC VALVE ASSEMBLIES, SPLINED SHAFT, W/ HYD ADAPTER	DRAWN BY: STILES, MICHAEL	DATE: 31-JAN-2013		
				DRAFTING CHECK: WOLVERTON, JARROD	DATE: 04-APR-2013		SHEET SIZE D
MANUFACTURER AGREES THAT ARTICLES MADE IN ACCORDANCE WITH THIS DOCUMENT SHALL BE CONSIDERED FMC TECHNOLOGIES' DESIGN, AND THAT IDENTICAL ARTICLES OR PARTS THEREOF SHALL NOT BE MANUFACTURED FOR THE USE OR SALE BY MANUFACTURER OR ANY OTHER PERSON OR ENTITY WITHOUT PRIOR EXPRESS WRITTEN AUTHORIZATION BY FMC TECHNOLOGIES.				DESIGN REVIEW: RUVALCABA, MARIO	DATE: 28-AUG-2013	LATEST EGN NUMBER 5031362	REV. C
				MANUFACTURING APPROVAL: VELCHOFF, BILL	DATE: 08-APR-2013	DRAWING NUMBER DUS00011438	SHEET 1/2
				APPROVED BY: SINGLETERRY, RONALD	DATE: 24-SEP-2013	DUS00011438	SHEET 1/2

1 2 3 4 5 6 7 8 9 10 11 12

A

B

C

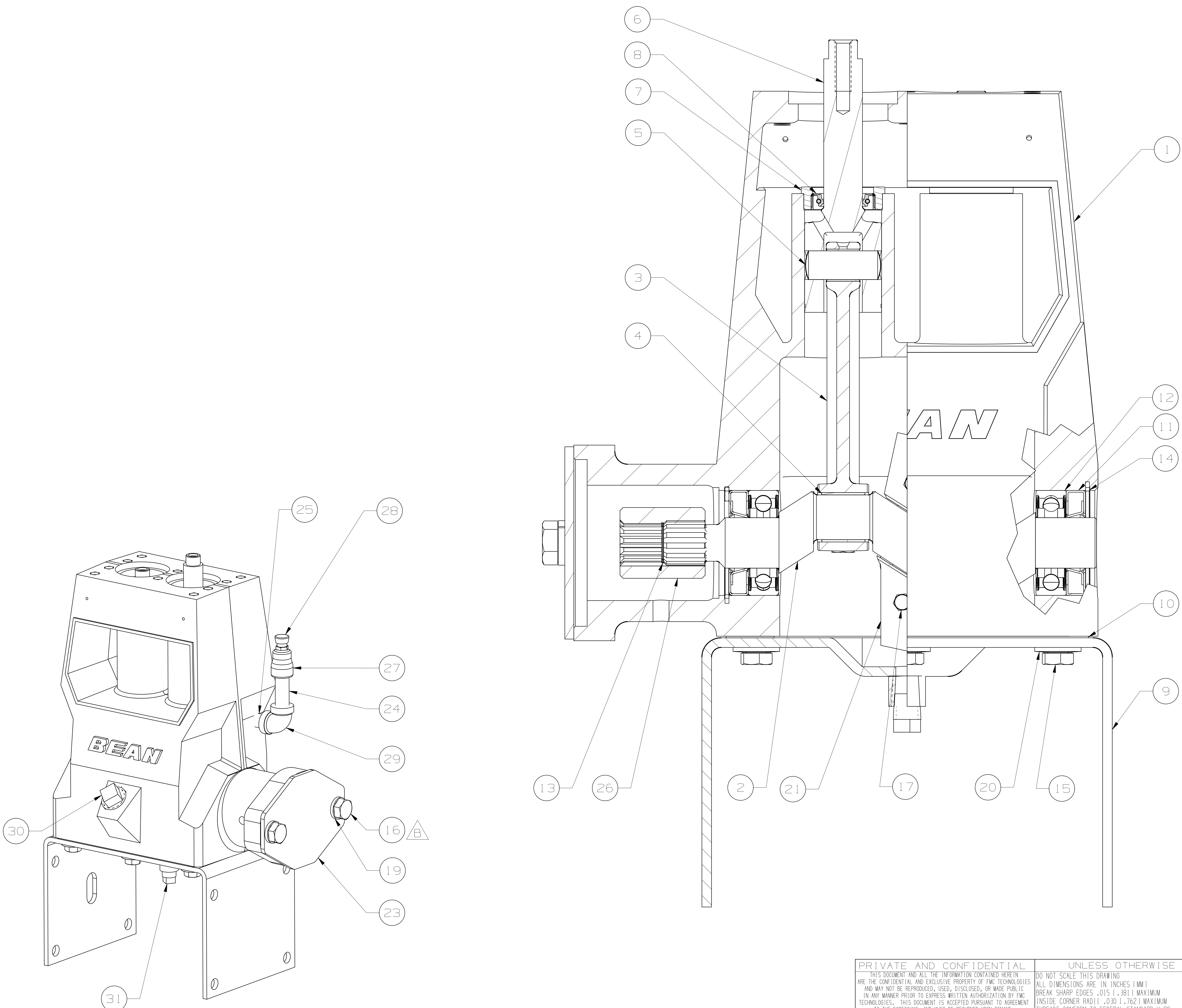
D

E

F

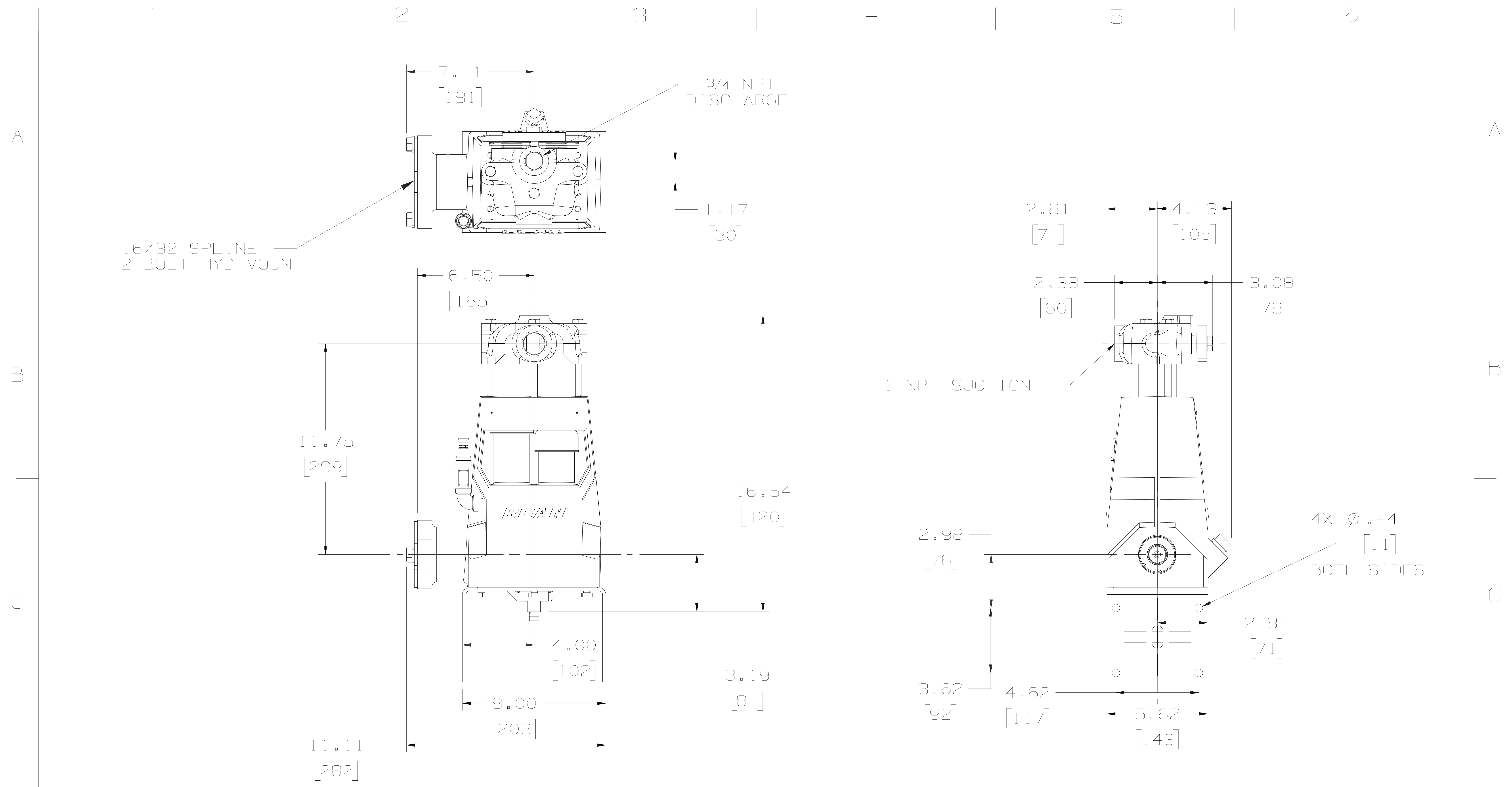
G

H



ITEM	DESCRIPTION	QTY
1	POWER FRAME:	1
2	CRANK:	1
3	CONNECTING ROD:	2
4	ROD BEARING; HALF SHELL	4
5	WRIST PIN:	2
6	CROSSHEAD:	2
7	SEAL HOLDER:	2
8	SEAL: PONY ROD	2
9	BACK COVER:	1
10	GASKET: BACK COVER	1
11	OIL SEAL SHAFT:	2
12	BALL BEARING:	2
13	RETAINER RING: WH-75	1
14	RETAINING RING:	2
15	CAP SCREW: HEX HEAD, 3/8 X .75 LG	6
16	CAP SCREW: HEX HEAD, 1/2 X 1.00 LG	2
17	CAP SCREW: HEX HD #10 X .75 LG	2
18	HEX NUT: #10 (NOT SHOWN)	2
19	LOCK WASHER: REGULAR, 1/2	2
20	WASHER: BELLEVILLE, 3/8	6
21	OIL SLINGER: RH	1
22	BOLTING STRIP: (NOT SHOWN)	1
23	PROTECTIVE COVER:	1
24	NIPPLE: 1/4 S40, 1/4 NPT X 2.00LGX2.00	1
25	NIPPLE: 1/4 S40, 1/4 NPT X 1.25LGX1.25	1
26	COUPLING:	1
27	REDUCER: 1/4 NPT X 1/8 NPT	1
28	LUBE VENT: 1/8-27 PTF	1
29	ELBOW: 1/4 FEMALE NPT	1
30	PIPE PLUG: SQ HEAD, 3/4 NPT	1
31	PIPE PLUG: 1/4 NPT	1
32	PIPE PLUG: SQ HEAD, 1/8 NPT (NOT SHOWN)	1

PRIVATE AND CONFIDENTIAL THIS DOCUMENT AND ALL THE INFORMATION CONTAINED HEREIN ARE THE CONFIDENTIAL AND EXCLUSIVE PROPERTY OF FMC TECHNOLOGIES AND MAY NOT BE REPRODUCED, USED, DISCLOSED, OR MADE PUBLIC IN ANY MANNER PRIOR TO EXPRESS WRITTEN AUTHORIZATION BY FMC TECHNOLOGIES. THIS DOCUMENT IS ACCEPTED PURSUANT TO AGREEMENT TO THE FOREGOING, AND MUST BE RETURNED UPON DEMAND. MANUFACTURER AGREES THAT ARTICLES MADE IN ACCORDANCE WITH THIS DOCUMENT SHALL BE CONSIDERED FMC TECHNOLOGIES' DESIGN, AND THAT IDENTICAL ARTICLES OR PARTS THEREOF SHALL NOT BE MANUFACTURED FOR THE USE OR SALE BY MANUFACTURER OR ANY OTHER PERSON OR ENTITY WITHOUT PRIOR EXPRESS WRITTEN AUTHORIZATION BY FMC TECHNOLOGIES.	UNLESS OTHERWISE SPECIFIED DO NOT SCALE THIS DRAWING ALL DIMENSIONS ARE IN INCHES (MM) BREAK SHARP EDGES .015 (1.381) MAXIMUM INSIDE CORNER RADIUS .030 (1.762) MAXIMUM THREADS CONFORM TO FEDERAL STANDARD H-28 TAPERED THREADS CONFORM TO API 6A BOLT HOLES MUST STRADDLE COMMON CENTERLINE FINISH 250 RMS ALL DIA'S CONCENTRIC WITHIN .010 (1.254) T.I.R.	TOLERANCE .X -- ± .030 (1.762) .XX -- ± .015 (1.381) .XXX -- ± .005 (1.127) ANGLE -- ± 30°	DESCRIPTION POWER END ASSEMBLY: A04 LH, 7/8-13T, 16/32 SPLINE AND 2 BOLT HYD. MOTOR MOUNT	DRAWN BY: GILDER, TOBY DATE: 08-APR-2008	LATEST REV. NO. 5020069 REV. B
				DRAFTING CHECKED: LOUDERMILK, STEVE DATE: 30-JUN-2008	DESIGN REVIEW: SINGLETERRY, RONALD DATE: 21-JUL-2008
				APPROVED BY: EVANS, AARON DATE: 10-SEP-2008	



PRIVATE AND CONFIDENTIAL

UNLESS OTHERWISE AGREED TO IN WRITING, THIS DOCUMENT AND ALL THE INFORMATION CONTAINED HEREIN ARE THE CONFIDENTIAL AND EXCLUSIVE PROPERTY OF FMC TECHNOLOGIES AND MAY NOT BE REPRODUCED, USED, DISCLOSED, OR MADE PUBLIC IN ANY MANNER PRIOR TO EXPRESS WRITTEN AUTHORIZATION BY FMC TECHNOLOGIES. THIS DOCUMENT IS ACCEPTED PURSUANT TO AGREEMENT TO THE FOREGOING, AND MUST BE RETURNED UPON DEMAND.

MANUFACTURER AGREES THAT ARTICLES MADE IN ACCORDANCE WITH THIS DOCUMENT SHALL BE CONSIDERED FMC TECHNOLOGIES' DESIGN, AND THAT IDENTICAL ARTICLES OR PARTS THEREOF SHALL NOT BE MANUFACTURED FOR THE USE OR SALE BY MANUFACTURER OR ANY OTHER PERSON OR ENTITY WITHOUT PRIOR EXPRESS WRITTEN AUTHORIZATION BY FMC TECHNOLOGIES.

ENGINEERING
DIMENSIONAL
OUTLINE

DESCRIPTION
PUMP ASSEMBLY; A0413 RH,
W/1 NPT X 3/4 NPT FLUID
END, PISTON CUP DISC
VALVE ASSEMBLIES,
SPLINED SHAFT, W/ HYD
ADAPTER

DRAWN BY: STILES, MICHAEL	DATE: 31-JAN-2013
DRAFTING CHECK: WOLVERTON, JARROD	DATE: 04-APR-2013
DESIGN REVIEW: RUVALCABA, MARIO	DATE: 28-AUG-2013
MANUFACTURING APPROVAL: VELCHOFF, BILL	DATE: 08-APR-2013
APPROVED BY: SINGLETERRY, RONALD	DATE: 24-SEP-2013

FMC Technologies

SHEET SIZE
B

ECN NUMBER
5031362

REV.
C

DRAWING NUMBER
DU500011438

SHEET
2/2

COPYRIGHT FMC TECHNOLOGIES