

APV RG4Á

MODULATING VALVE

FORM NO.: <170719 REVISION: UK-, ' 7

READ AND UNDERSTAND THIS MANUAL PRIOR TO OPERATING OR SERVICING THIS PRODUCT.



We,

DESIGN CENTER/MANUFACTURER: SPX Flow Technology Germany GmbH
Gottlieb-Daimler-Str. 13, D-59439 Holzwickede

MANUFACTURING FACILITY: SPX Flow Technology Poland sp. z o.o.
Rolbieskiego 2, 85-862 Bydgoszcz, Poland

AUTHORIZED REPRESENTATIVE: SPX Flow Europe Ltd.
(for UKCA) Building A, Compass House, Manor Royal
Crawley, RH10 9PY

declare under our sole responsibility that the

APV double seal and double seat valves of the series
SD4, SDT4, SDU4, SDMS4, SDMSU4, SDTMS4, SWcip4, DSV, DA4, DA4 DPF, D4 SL, DU4
SL, DT4 SL, DP4 SL, D4, DA3, DA3SLD, DE3, DEU3, DET3, DKR2, DKRT2, DKRH2

APV butterfly valves of the series SV1, SVS1F, SV2, SVS2F, SVL, SVSL, SVE, SVSE

APV ball valves of the series BLV1

APV single seat, diaphragm and spring loaded valves of the series
S2, SW4, SWhp4, SW4DPF, SWmini4, SWT4, SWS4, MF4, MS4, MSP4, AP/T1, CPV, RG4,
RG4DPF, RGMS4, RGE4, RGE4DPF, RGEMS4, PR2, PRD2, SI2, UF/R3, UF/R4, VRA/H

and the valve manifolds installed thereof

meet the requirements of the Machinery Directive 2006/42/EC
& EN ISO 12100-2010, DIN EN ISO 14159-2008-07, DIN EN 1672-2-2009-07.

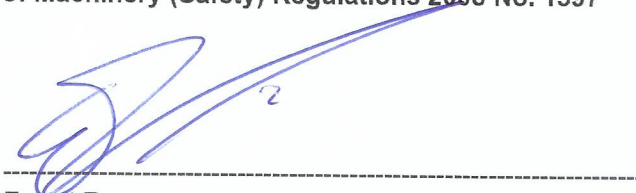
Holzwickede, November 2022



Dr.-Ing. Behdad Ariatabar, Design Center Lead - Valves

meet the requirements of the Supply of Machinery (Safety) Regulations 2008 No. 1597
& BS harmonized standards.

Crawley, November 2022



Ewout Roozendaal, Director Global Pricing

Content	Page
1. General Terms	6
2. Safety Instructions	6
3. Intended Use	7
4. Mode of Operation	7
5. Cleaning	9
5.1. Cleaning recommendation	
6. Installation and Commissioning	9
6.1. Welding Instructions	
7. Maintenance	10
8. Materials	11
9. Dimensions/Weights	12
9.1. Installation of integrated valve positioner (metric dimensions)	
9.2. Installation of integrated valve positioner (Inch dimensions)	
9.3. Installation of valve positioner according to NAMUR (metric)	
9.4. Installation of valve positioner according to NAMUR (Inch)	
10. Technical Data	16
10.1. General terms	
10.2. Compressed air quality	
10.3. Kvs - values in m ³ /h, valve stroke, Ø valve seat (S)	
11. Service Instructions	18
11.1. Dismantling from the line system	
11.2. Dismantling of valve to replace wear parts	
11.3. Disassembly of the valve for change of flow rate and characteristics	
11.4. Assembly of the valve and installation of new parts	
11.5. Assembly of valve to change flow rates and characteristics	
12. Installation of Seat Seal	22
12.1. Manual installation of seat seal	
13. Trouble Shooting	23
14. Spare Parts Lists	23
RG4 DN design	RN 01.170.0
RG4 Inch design	RN 01.170.1
RG4 3-A Inch design	RN 01.170.8
Pneumatic actuators	RN 01.170.13-1,-2,-3,-4
Parts substitution list	RN 261.558

1. General Terms

This instruction manual must be read carefully and observed by the responsible operating and maintenance personnel.

We point out that we will not accept any liability for damage or malfunctions resulting from the non-compliance with this instruction manual.

Descriptions and data given herein are subject to technical changes.

2. Safety Instructions



Caution!

The technical safety symbol draws your attention to important directions for operating safety. You will find it wherever the activities described are bearing health hazards and risks for persons and / or material assets.



Important Note!

Critical technical information



- Do not touch the yoke or the actuating areas (valve positioner) when the valve is installed. Risk of injury by sudden valve operation.



- Disconnect electric or pneumatic lines before assembly or disassembly of the valve (e.g. for the replacement of seals).



- Do not touch the valve body when the valve is dismantled. Otherwise, observe the instructions given for the installed valve state.



- Observe Service Instructions to ensure safe maintenance of the valve.



- Regular maintenance of the valve including replacement of all seals must be scheduled in order to prevent leakages and liquid emersion.



- The valves must be assembled, disassembled and reassembled only by persons who have been trained in the valves or by SPX FLOW service team members. If necessary, contact your local SPX FLOW representative.

3. Intended Use

The intended use as field of application of the RG4 modulating valve is the continuous control of liquid flows in beverage and food technology as well as in the chemical and pharmaceutical industry.



Caution! The standard RG4 valve must not be used in explosive atmospheres.



Caution! The standard RG4 valve must not be used in aseptic applications.



Caution! Arbitrary, structural changes at the valves may affect safety as well as the intended functionality of the valves and are not permitted.



Note! SPX FLOW Valves (without safety function) are allocated to Category 1 and are evaluated as per Conformity Assessment Module A of the Pressure Equipment Directive 2014/68/EU. According to Article 13, the following allocation applies for the fluids processed in the valves.
 Product media – Fluid group 2 – valves in all dimensions.
 CIP-cleaning liquids – Fluid group 1 – valves in the dimensions ≤ DN100/4" can be used at temperatures up to 140 °C, valves in the dimensions > DN100/4" at temperatures up to 100 °C.

Authorizations and External Approvals

To view the certifications for this and other innovative SPX FLOW products, visit
<https://www.spxflow.com/en/apv/about-us/certifications/>



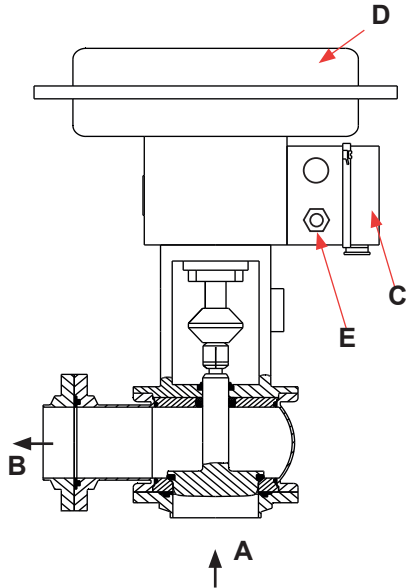
It is within the responsibility of the plant operator to evaluate and verify the suitability of SPX FLOW products for the intended purpose and service conditions, as well as to determine and follow the applicable laws for the intended applications and areas of application.

4. Mode of Operation

- Hygienic modulating valves RG4 are used for the continuous control of liquid flows in beverage and food technology as well as in the chemical and pharmaceutical industry. Modulating valves are suited for the flow and pressure control of liquids and gases.
- In its basic construction, the RG4 valve is designed as corner valve and, thus, ensures a good diversion of liquid flows. The flow direction is from **A** to **B** (see fig. 1).
- The body being free from dead spaces proves optimum cleaning conditions. The crevice-free sealing of the individual parts of the body is realized by profile seals, thus eliminating any source of infection.
- The relation between flow and cone stroke is defined by the characteristics.

4. Mode of Operation

Fig. 1
integrated positioner installation



- Different kvs values (flow) at certain nominal dimensions can be reached by different inserts (valve seat / valve cone).
- The table (item 11) shows the parts which have to be replaced if flow rates are changed. The design of the valves with regard to the actuating pressure range or flow rate is determined by the manufacturer.
- The connections for the electric and pneumatic supply lines are located at the valve positioner (E).

The pneumatic actuator (D) provides the path and the force to open or to close the control element. The diaphragm actuator is suited for longer actuating distances at minimum self-friction. The valve positioner (C) guarantees the preset coordination between valve position and control signal. It compares the control signal (4-20 mA) given by the control device with the stroke of the control element and defines the pneumatic actuating pressure as output signal.

Depending on the specific requirement, the modulating valve can be operated either with spring opening or with spring closing function.

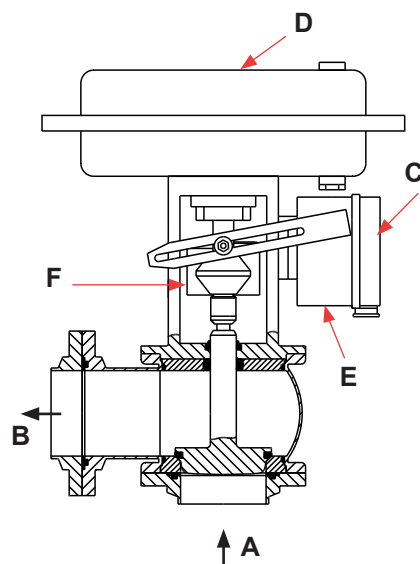
MFS - diaphragm actuator, spring closing

The actuator opens by actuating pressure and closes by spring pressure.

MFH - diaphragm actuator, spring opening

The actuator closes by actuating pressure and opens by spring pressure.

Fig. 2
positioner installation acc. to NAMUR



For the various applications, the diaphragm actuators are supplied with different diaphragm surfaces and different actuating pressures.

In its standard design, the valve positioner is a electro-pneumatic transformer.

The direction of flows transferred can be rising (directional equality >>) or falling (directional reverse <>).

The valve positioner can be installed in two different ways:

1. Valve positioner integrated in the diaphragm actuator; the feedback of the valve position is effected as mechanical tap at the valve shaft within the integrated positioner (fig. 1).
2. Valve positioner according to NAMUR (fig. 2); the positioner is installed at the valve yoke by means of a rib. The feedback of the valve position is effected via the operating cam with fastening plate installed at the valve shaft

Valve position indication can also be effected in the positioner - either by indication of the valve end position or by an analog feedback for the whole stroke range (4-20 mA).

5. Cleaning

5.1. Cleaning recommendation

The passages of the valve are cleaned by the cleaning liquid during cleaning of the connected pipelines.

Depending on the degree and substances of soiling, cleaning liquids, times and processes must be scheduled for the individual application.



Caution!

The cleaning liquid applied must be compatible with the respective seal material.

6. Installation and Commissioning

- The RG4 must be installed in such a manner that the product or the cleaning liquid can drain off the valve housing. Priority should be given to a vertical installation.



Note! Observe Welding Instructions.



Caution!

Before first startup: Check for possible leakages during commissioning. Replace defective seals.

6.1. Welding Instructions

- Before welding, the flanges must be dismantled from the valve housing, just tacking or adjustment of the valves should be carried out with fixed flanges.
- Welding may only be carried out by certified welders (DIN EN ISO 9606-1). (Seam quality DIN EN ISO 5817).
- The welding of the valve housings must be undertaken in such a way that the valve body is not deformed.
- The preparation of the weld seam up to 3 mm thickness must be carried out as a square butt joint without air. Consider shrinkage!
- TIG orbital welding is best!



Caution!

After welding of the valve housing or of the mating flanges, and after performing any work on the piping, do not operate the valves until the corresponding areas of the installation and piping have been cleaned and welding residue has been removed. If the piping is not cleaned before operation, welding residue and dirt particles can settle in the valves and cause damage to the valves and seals.

- If these welding instructions are not followed, any resulting damage will not be covered by the warranty.
- Welding directives for aseptic applications shall be drawn from the AWS/ANSI Directives and EHEDG Guidelines

7. Maintenance



Note!

The maintenance intervals are different depending on the application and must be determined by the operator performing regular checks.



Caution!

- Do not clean the valve with products containing abrasive or polishing substances. Abrasive and polishing agents are especially harmful to the valve shaft.
- Dismantling and installation of valve seat / valve cone according to Service Instructions.
- Exchange of seals is done according to Service Instructions.

Customer stock keeping of spare seals is recommended.
For valve maintenance SPX FLOW offers complete seal kits (see spare parts lists).



Caution!

The use of seal materials being compatible with the product, application and CIP liquids must be ensured. In case of doubt, contact your local SPX FLOW representative.

- Provide all seals with a thin layer of grease before their installation!

Recommendation:

APV assembly grease for EPDM, FPM, HNBR and NBR
(0,75 kg/tin - ref.-No. 000 70-01-019/93; H147382)
(60 g/tube - ref.-No. 000 70-01-018/93; H147381)

or

APV assembly grease for VMQ (Silicone)
(0,6 kg/tin - ref.-No. 000 70-01-017/93; H147380)
(60 g/tube - ref.-No. 000 70-01-016/93; H147379)

- ! Do not use grease containing mineral oil for EPDM seals.
- ! Do not use Silicone-based grease for VMQ seals.

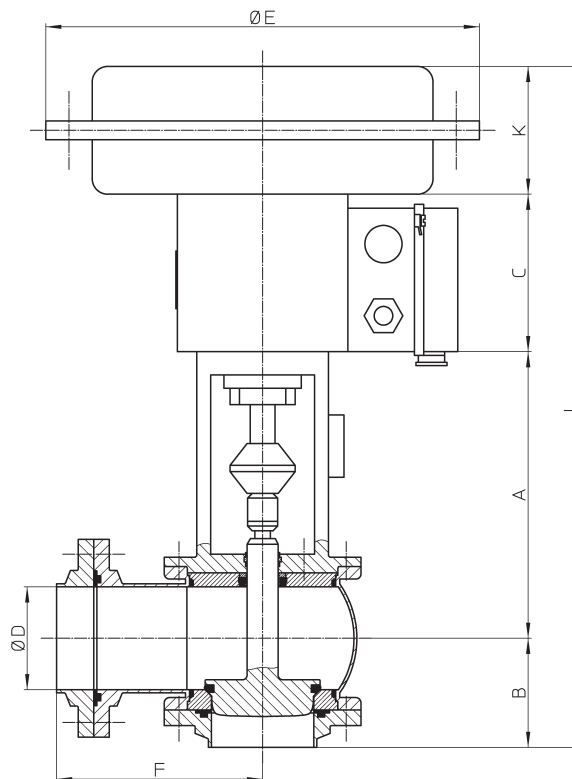
Less suited grease types can influence function and life time.

8. Materials

Part:	Material:
housing, valve shaft, housing cover, valve seat, flanges	1.4404 (AISI 316L) (DIN EN 10088)
valve yoke	1.4308 (DIN EN 10088)
coupling (compl.), screws, nuts	1.4301 (DIN EN 10088)
housing seal	standard EPDM HNBR, FPM, VMQ(Only as spare part)
seat seal, shaft seal seal FGN1	standard EPDM HNBR, FPM, VMQ(Only as spare part)
type plate	PVC label
Diaphragm actuator	
diaphragm shells	sheet steel plastic coated
diaphragm	NBR or EPDM with fabric insert
connection rod, intermediate piece	1.4301 (DIN EN 10088)
springs	1.1250 oder 1.7102 plastic coated
Valve positioner	
housing	aluminium pressure die casting,plastic coated or plastic
external parts	1.4301 and 1.4104 (DIN EN 10088)

9. Dimensions/Weights

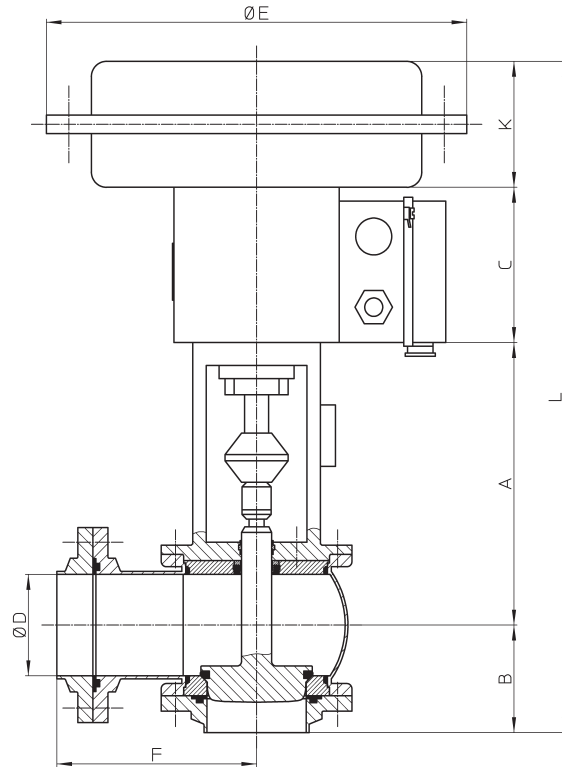
9.1. Installation of integrated valve positioner (metric dimensions)



Dimensions in mm										Weight in kg
DN	Actuating surface (cm ²)	L	A	B	C	ØD	F	ØE	K	
25	120	371	163.5	49.5	88	26	98	168	70	9.9
	175	392			101				78	11.8
40	120	383	169.5	55.5	88	38	115	168	70	11.7
	175	404			101				78	13.1
	350	408							82	15.1
50	120	395	175.5	61.5	88	50	120	168	70	12.2
	175	416			101				78	13.7
	350	420							82	15.7
65	175	433	184.0	70.0	101	66	133	215	78	16.1
	350	437							82	17.4
80	175	448	191.5	77.5	101	81	146	215	78	17.2
	350	452							82	19.8
100	350	471	201.0	87.0	101	100	159	280	82	22.7
	750	544	217.0						139	52.7
125	350	503	215.5	104.5	101	125	184	280	82	23.9
	750	571	226.5						139	53.8
150	750	596	239.0	117.0	101	150	204	394	139	58.0

9. Dimensions/Weights

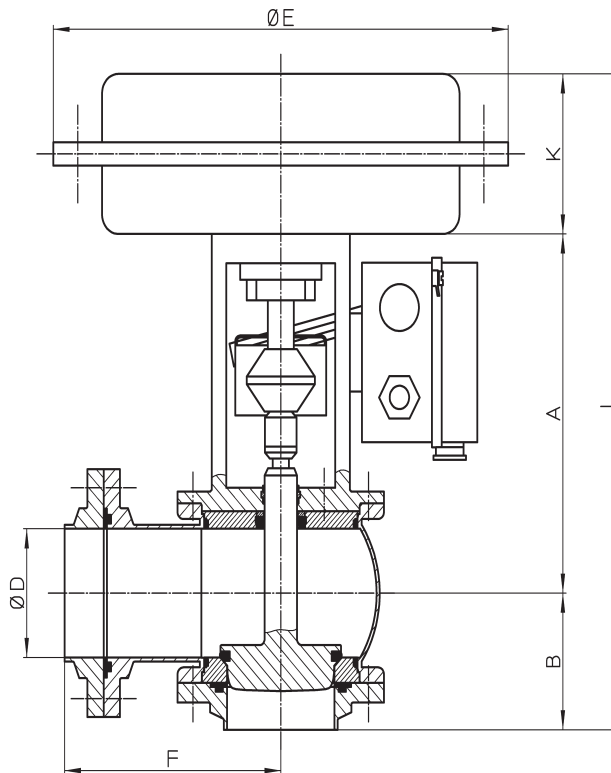
9.2. Installation of integrated valve positioner (Inch dimensions)



Dimensions in mm										Weight in kg
DN	Actuating surface (cm ²)	L	A	B	C	ØD	F	ØE	K	
1"	120	367	161.6	47.6	88	22.2	98	168	70	9.9
	175	388			101				78	11.8
1,5"	120	380	167.9	53.9	88	34.9	115	168	70	11.7
	175	401			101				78	13.1
	350	405			280				82	15.1
2"	120	393	174.3	60.3	88	47.6	120	168	70	12.2
	175	414			101				78	13.7
	350	418			280				82	15.7
2,5"	175	427	181.2	67.2	101	60.3	133	215	78	16.1
	350	431							280	82
3"	175	440	187.5	73.5	101	72.9	146	215	78	17.2
	350	444							280	82
4"	350	469	199.8	85.8	101	97.6	159	280	82	22.7
	750	542							215.8	394

9. Dimensions/Weights

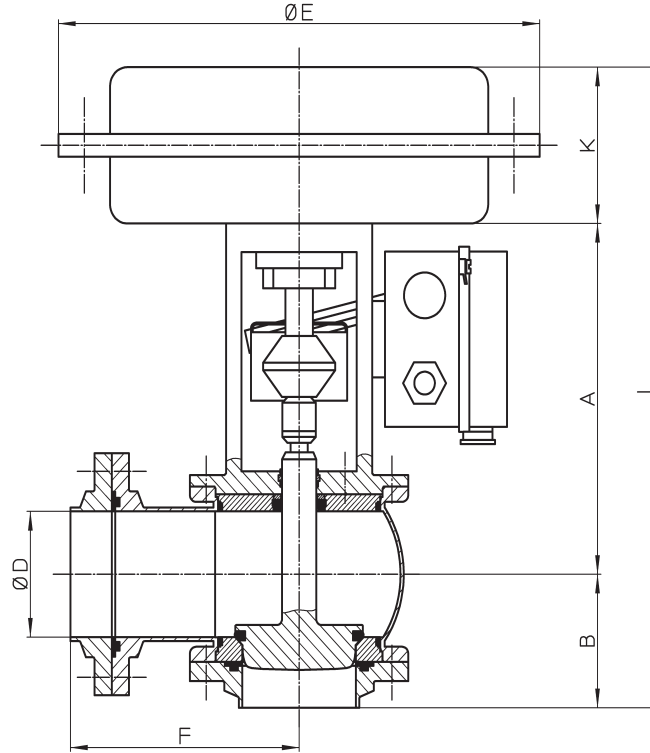
9.3. Installation of valve positioner according to NAMUR (metric)



Dimensions in mm									Weight in kg
DN	Actuating surface (cm ²)	L	A	B	ØD	F	ØE	K	
25	120	282	163.5	49.5	26	98	168	69	9.9
	175	291						78	11.8
40	120	294	169.5	55.5	38	115	168	69	11.7
	175	303						78	13.1
	350	307						82	15.1
50	120	306	175.5	61.5	50	120	168	69	12.2
	175	315						78	13.7
	350	319						82	15.7
65	175	332	184.0	70.0	66	133	215	78	16.1
	350	336						82	17.4
80	175	347	191.5	77.5	81	146	215	78	17.2
	350	351						82	19.8
100	350	370	201.0	87.0	100	159	280	82	22.7
	750	443	217.0					139	52.7
125	350	402	215.5	104.5	125	184	280	82	23.9
	750	470	226.5					139	53.8
150	750	495	239.0	117.0	150	204	394	139	58.0

9. Dimensions/Weights

9.4. Installation of valve positioner according to NAMUR (Inch)



Dimensions in mm									Weight in kg
DN	Actuating surface (cm ²)	L	A	B	$\varnothing D$	F	$\varnothing E$	K	
1"	120	278	161.6	47.6	22.2	98	168	69	9.9
	175	287						78	11.8
1,5"	120	291	167.9	53.9	34.9	115	168	69	11.7
	175	300						78	13.1
	350	304						82	15.1
2"	120	304	174.3	60.3	47.6	120	168	69	12.2
	175	313						78	13.7
	350	317						82	15.7
2,5"	175	326	181.2	67.2	60.3	133	215	78	16.1
	350	330						82	17.4
3"	175	339	187.5	73.5	72.9	146	215	78	17.2
	350	343						82	19.8
4"	350	368	199.8	85.8	97.6	159	280	82	22.7
	750	441	215.8					139	52.7

10. Technical Data

10.1. General Terms

permissible operating pressure	DN 25-65 / 1"-2,5"	25 bar
	DN 80-100 / 3"-4"	16 bar
	DN 125-150	10 bar
correcting ratio	1: 50	
standard design	housing 1.4404 inner surface polished Ra 0,8 µm external surface satin finish	
seal materials	EPDM (FPM,HNBR) VMQ(Only as spare part)	
max. operating temperature	135 °C EPDM, HNBR *FPM, *VMQ	
short-term load	140 °C EPDM, HNBR *FPM, *VMQ *(no steam)	
control pressure of diaphragm actuator	max. 6 bar (min. 0,4 bar above max. actuating pressure, e.g. 0,6 - 3 bar *min.: 3,4 bar)	
reference variable of electro-pneumatic positioner	4 - 20 mA	
ambient temperature	0 - 40 °C	

10.2. Compressed air quality

- Compressed air quality: quality class according to ISO 8573-1
- Content of solid particles: quality class 3,
max. number of particles per m³
10000 of 0,5 µm < d ≤ 1,0 µm
500 of 1,0 µm < d ≤ 5,0 µm
- Content of water: quality class 3,
max. dew point temperature - 20 °C
For installations at lower temperatures
or at higher altitudes, additional
measures must be considered to reduce
the pressure dew point accordingly.
- Content of oil: quality class 1,
max. 0,01 mg/m³

The oil applied must be compatible with Polyurethane elastomer materials.

10. Technical Data

10.3. Kvs - values in m³/h, valve stroke, Ø valve seat (S)

DN 25		DN 40		DN 50		DN 65		DN 80		DN 100		DN 100		DN 125		DN 125		DN 150	
Stroke: 15mm		Stroke: 15mm		Stroke: 15mm		Stroke: 15mm		Stroke: 15mm		Stroke: 15mm		Stroke: 30mm		Stroke: 15mm		Stroke: 30mm		Stroke: 15mm	
kvs	S Ø	kvs	S Ø	kvs	S Ø	kvs	S Ø	kvs	S Ø	kvs	S Ø	kvs	S Ø	kvs	S Ø	kvs	S Ø	kvs	S Ø
10	26	25	38	40	50	63	66	100	81	160	100	160	100	160	100	250	125	400	150
6.3		16		25		40		63		100		160		100		160		250	
4.0	13	10	26	16	38	25	38	40	50	63	66							160	100
2.5		6.3		10		16													
1,6*	8	4	13	6.3	26														
1.0		2.5																	
0,63*	4																		
0,4*																			
0,25*																			

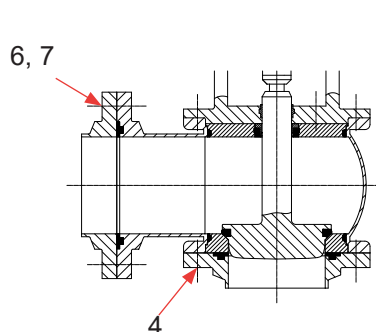
1"		1,5"		2"		2,5"		3"		4"		4"		
Stroke: 15mm		Stroke: 15mm		Stroke: 15mm		Stroke: 15mm		Stroke: 15mm		Stroke: 15mm		Stroke: 30mm		
kvs	S Ø	kvs	S Ø	kvs	S Ø	kvs	S Ø	kvs	S Ø	kvs	S Ø	kvs	S Ø	
10	26	25	38	40	50	63	66	80	72.9	160	100	160	100	
6.3		16		25		40		63		100		160		
4.0	13	10	26	16	38	25	38	40	50	63	66			
2.5		6.3		10		16								
1,6*	8	4	13	6.3	26									
1.0		2.5												
0,63*	4													
0,4*														
0,25*														

* = metal sealing

11. Service Instructions

11.1. Dismantling from the line system

The item numbers refer to the spare parts drawings.

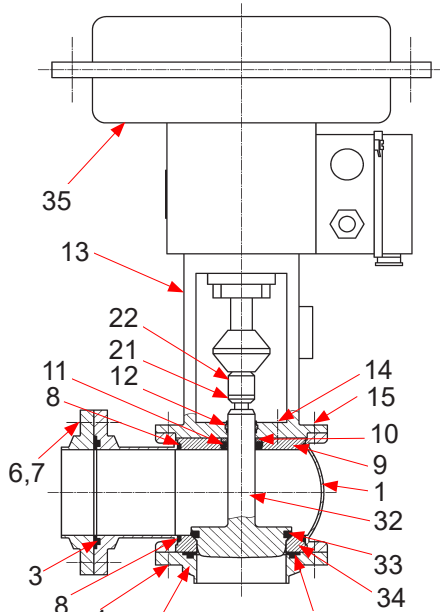


Caution!

1. Shut off line pressure and drain lines if possible.
2. Shut off compressed air and remove compressed air supply.
3. Shut off control current and separate connecting line.
4. Release flange connection (hex. screws pos. **6** and nuts pos. **7**).
5. Release connection flange/housing (hex. screws pos. **4**).
6. Dismantle modulating valve from line.

11. Service Instructions

11.2. Dismantling of valve to replace wear parts



1. See chapter 11.1. items 1. - 7.

Note! For actuator MFS size 175cm²: control actuator with air

2. Loosen fastening screws (15) and take valve insert with positioner and diaphragm actuator out of the housing (1). If necessary, screw two fastening screws (14) into the bores provided at the valve yoke (13) and push insert out of the housing.
3. Take valve seat (34) out of the housing (1).
4. Loosen coupling between actuator rod and valve shaft and pull valve shaft (32) out of the housing cover (9).
5. Release hexagon screw (14) and take housing cover from the valve yoke (13).
6. Remove seat seals (33) from valve shaft (cone). Loosen coupling top (22) and counternut (21) from valve shaft (32).

Note! Observe adjusting dimensions between counternut and valve shaft!

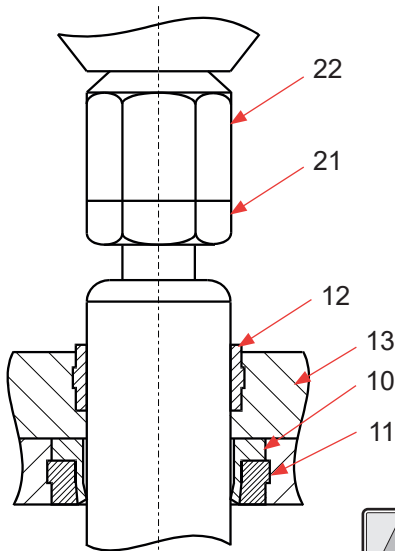
7. Remove housing seals (8) from valve seat (34) and from housing cover (9).
8. Remove shaft seal (10, 11) from housing cover (9), remove bushing (12) from yoke (13).
9. Remove flange seals (3) from housing (1).

11.3. Disassembly of the valve for change of flow rate and characteristics

1. See chapter 11.2. items 1. - 4.

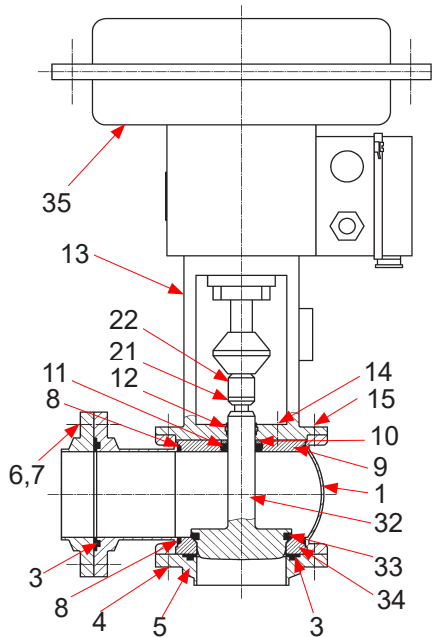
2. If, in case of change of flow rates, the diaphragm actuator (32 / 35) must also be exchanged, remove air hose, loosen nut by means of hammer and chisel and take off actuator.
3. Loosen coupling top (22) and counternut (21) from the valve shaft (32).

Note! Observe adjusting dimensions between counternut and valve shaft!



11. Service Instructions

11.4. Assembly of the valve and installation of new parts



Caution!

To ensure a secure assembly and a high service life of all wear parts (seals, guides, etc.), all parts must be slightly greased. Sharp-edged tools (screwdrivers or similar tools) must not be used for the installation to avoid damage to the parts and provide their faultless function.

1. Place housing seal (8) onto the valve seat (34) and insert seat into housing (1).
2. Insert flange seals (3) into the housing flange (to 1) and into the flange (5) and install the housing (1) in the line system by means of screws and nuts (4, 6, 7).



Note!

Provide for proper alignment of housing and line flanges!

3. Insert seat seal (33) into valve shaft (32).



Note!

To prevent air from being trapped in the groove, use suitable tool to vent the groove.

4. Insert shaft seal (10, 11) into the housing cover (9). Insert bushing (12) into the yoke (13). Tighten housing cover (9) with the valve yoke (13) by hand.
5. Place housing seal (8) on the housing cover (9).
6. Insert valve shaft into the valve yoke (13). Screw counternut (21) and coupling top (22) on the thread of the valve shaft (32).

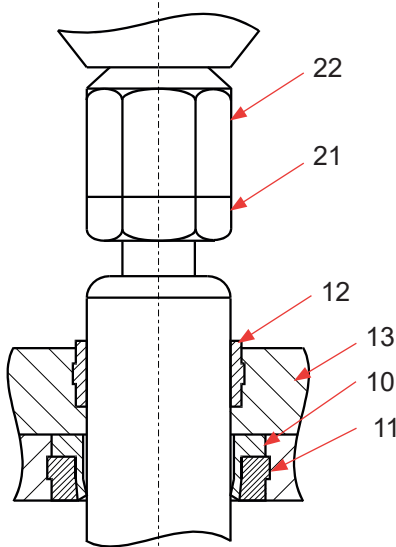
Observe adjusting dimension!

Note!

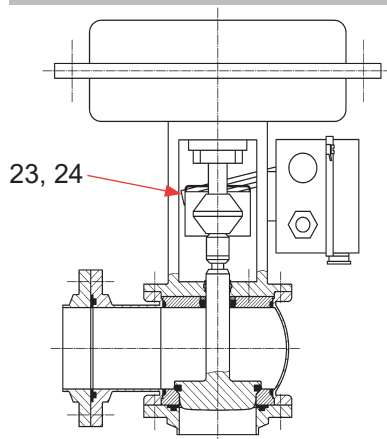
For actuator MFS size 175cm² control actuator with 1,7 bar air pressure.

Connect the valve shaft and actuator rod of the diaphragm actuator by means of the coupling.

For NAMUR installation, slide the carrier pin of the positioner into the driving plate (23, 24).



NAMUR installation



Caution!

For NAMUR installation

In case of different operating modes of the diaphragm actuator (MFS or MFH), the position of the valve positioner as against the fastening plate is also different.

7. Push valve insert into the housing and fasten it at the housing flange by means of the hexagon nuts (15).
8. Firmly tighten coupling and hexagon nuts (14).
9. Connect electric and pneumatic supply lines.

11. Service Instructions

11.5. Assembly of valve to change flow rates and characteristics

Parts to be replaced - please see chapter 14.

1. The available wear parts (seals and guides) have to be checked for their proper function.



Caution! Damaged parts must be replaced immediately.

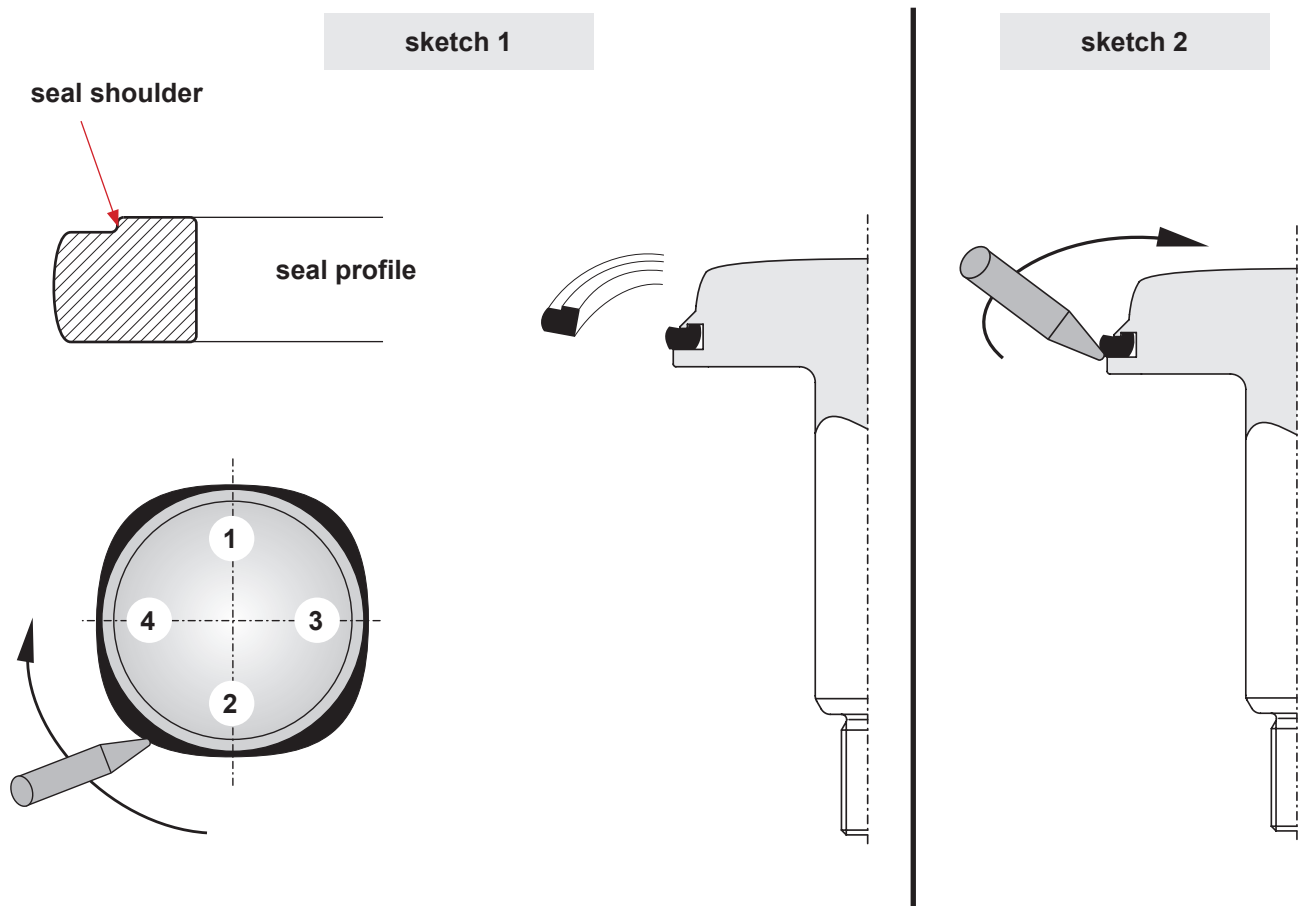
2. See chapter 10.4. items.
3. Place diaphragm actuator (**35, 36**) on the valve yoke (**13**), screw the bolt onto the thread and firmly fasten it with hammer and chisel.
4. Firmly tighten the coupling.
5. For NAMUR installation, adjust carrier pin of the positioner (**23, 24**) if necessary.
6. Connect electric and pneumatic supply lines and readjust positioner if necessary.

12. Installation of seat seal

12.1. Manual installation of seat seal (33).

1. Before assembly provide the seat seal with a thin layer of grease. The groove for the seat seal must not be greased.
2. Clamp the valve shaft into a vice.

The valve shaft must not be damaged.
Use protective cloth!
3. Press the slightly greased seal at four spots with the wide side to the front into the groove (**see sketch 1**).
4. Press the seal with an assembly tool (e.g. screwdriver with rounded edges) at four opposite spots **1-2, 3-4** into the groove (**see sketch 1**).
5. Press the seal gradually into the groove. Thereby, work on the opposite spots of the groove. See to an even fit of the seat seal.
6. Afterwards, press the assembly tool between the seal shoulder and the groove wall and work around the entire groove wall. During this process, the seal ground is vented and the seal shoulder snaps into place (**see sketch 2**)



13. Trouble Shooting

Failure	Remedy
Valve is untight	Replace seat seal (33).
Leakage between housing and yoke flange	Replace housing seal (8).
Leakage in yoke area	Replace guide bushing (12), shaft seal (10) and seat seal (33).
Diaphragm actuator type 3271 and 3277	
Air escapes from diaphragm actuator.	Check thread connection. Replace rolling diaphragm if required. Use operating manual: See: https://www.samsongroup.com/en/products/actuators/
Positioner type 4763	
Valve does not regulate correctly.	Check air connection and air pressure. Check electric connection and control signal. Use operating manual of positioner to find failure. See: https://www.samsongroup.com/en/products/valve-accessories/

14. Spare Parts Lists

The reference numbers of the spare parts for the different valve designs and sizes are included in the attached spare parts drawings with corresponding lists.

Please indicate the following data to place an order for spare parts:

- number of required parts
- reference number
- designation

Data are subject to change.

Information contained in this document is subject to change without notice and does not represent a commitment on the part of SPX FLOW, Inc.. No part of this document may be reproduced or transmitted in any form or by any means, electronic or mechanical, including photocopying and recording, for any

Spare parts list:

Modulating valve RG4 - DN 25 - DN 150

Diaphragm actuator MAT 3271 or MAT 3277 (Spring: closed or open) - 120, 175, 350, 750cm²

Digital electro-pneumatic positioner

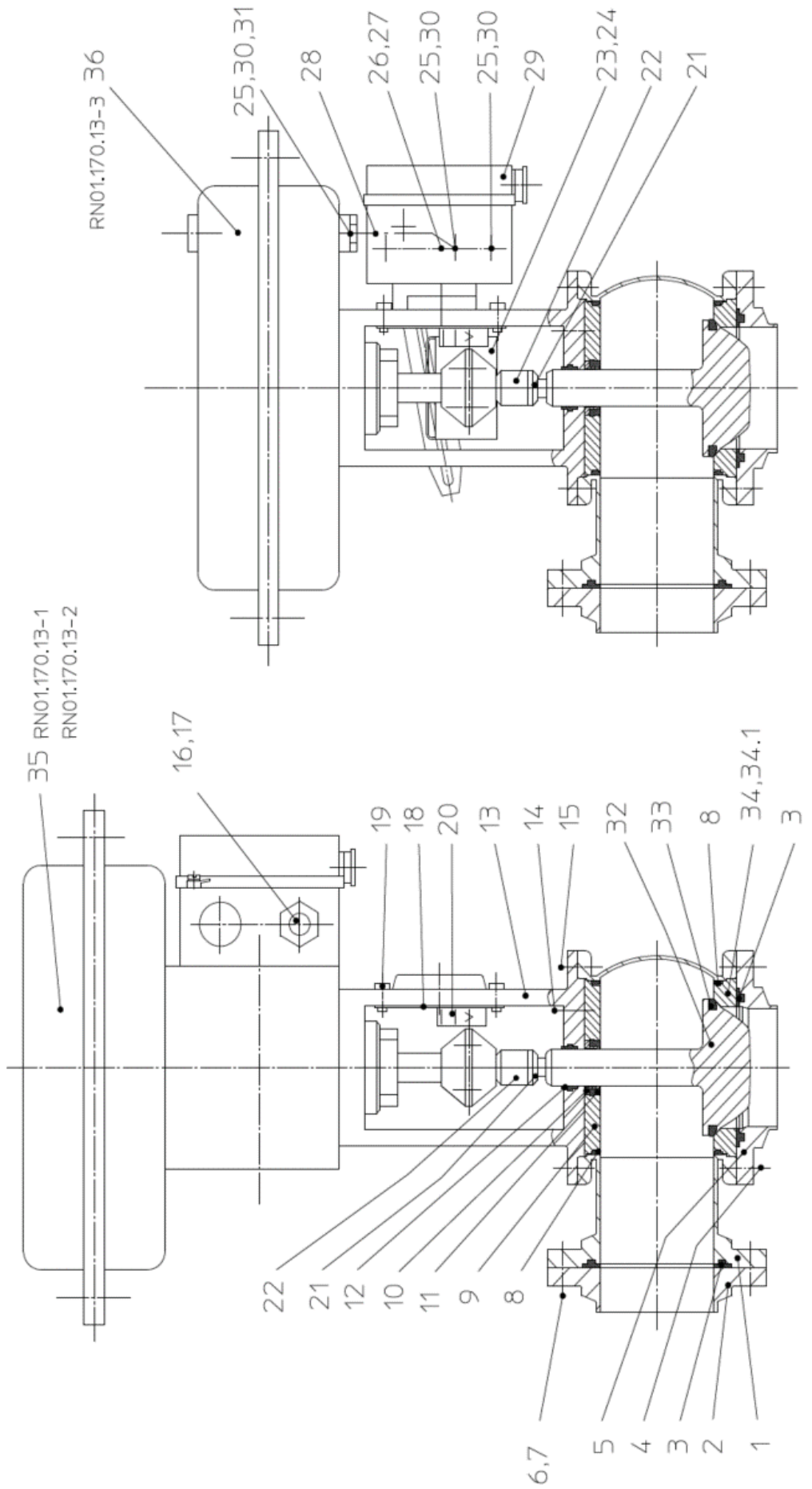
Flow characteristic: linear or equal percentage

Date: 22.06.15 10.01.23
 Name: Trytko Shreshth
 Approved by: Waitenb.

Page 1 of 18

SPX FLOW

RN 01.170.0



Information contained in this document is subject to change without notice and does not represent a commitment on the part of SPX FLOW, Inc.. No part of this document may be reproduced or transmitted in any form or by any means, electronic or mechanical, including photocopying and recording, for any

Spare parts list:

Modulating valve RG4 - DN 25

Diaphragm actuator MAT 3271 or MAT 3277 (Spring: closed or open) - 120, 175, 350, 750cm²

Digital electro-pneumatic positioner
Flow characteristic: linear or equal percentage

Date: 22.06.15 10.01.23
Name: Trytko Shreshth
Approved by: Waltenb.

Date: _____
Name: _____
Approved by: _____

SPX FLOW

Page 2 of 18

RN 01.170.0

Item	Quantity	Description	Material	Part no.	Item	Quantity	Description	Material	Part no.
1	1	Housing RG41-1FN1 RG42-12FN1	1.4404	H158109	22	1	Coupling top small for actuator 120	1.4301	H162484
2	1	Flange FG1	1.4404	H158102	23	1	Coupling top big for actuator 175-750	1.4301	H162485
3	2	Seal FGN1	EPDM	H77280	24	1	Driving plate complete for kvs 16-160	1.4301	H162486
4	4	Hex. screw M8x20 DIN EN 24017	HNBR	H172130	25	3	Angle bracket G1/8" Ø6mm slewable	1.4301	H208825
5	1	Flange FNX1	FPM	H77279	26	1	Hex. screw M8x70 DIN EN 24014	A2-70	H78803
6	4	Hex. screw M8x28 DIN EN 24017	VMQ	H77278	27	1	Washer DIN 125 A l=8,4	A2-70	H79594
7	4	Hex. nut M8 DIN EN 24032	A2-70	H78776	28	1	Hose 6x1x500	1.4404	H16541
8	2	Housing seal Ø45	1.4404	H158095	29	1	Electro-pneumatic without accessory: lever 1, positioner IP763	Aluminium die casted	H66919
9	1	Housing cover Ø45	A2	H79281	30	3	Red. nipple G1/4" G1/8" for actuator 120-175	MS58	H17018
10	1	Shaft seal Ø45	EPDM	H77439	31	2	Red. nipple G1/4" G1/8" for actuator 350-750	MS58	H17018
11	1	Seat seal Ø45	HNBR	H170017	31	1	Red. nipple G3/4" G1/8" for actuator 350-750	MS58	H17019
12	1	Bushing 20x9 PTFE + 25% carbon	FPM	H77438			kvs = 0,25 m³/h	1.4404	H160658
13	1	Yoke 1.4308	1.4404	H156869			kvs = 0,4 m³/h	1.4404	H160666
14	1	Hex. screw M6x16 DIN EN 24017	Turcon MF6	H323082			kvs = 0,63 m³/h	1.4404	H160668
15	4	Hex. screw M8x16 DIN EN 24017	EPDM	H77442			kvs = 1,0 m³/h	1.4404	H160669
16	1	Elbow union G1/8" Ø6mm slewable	HNBR	H170176			kvs = 1,6 m³/h	1.4404	H159401
17	1	Red. nipple G1/4" G1/8" for actuator 120-750	FPM	H77441			kvs = 2,5 m³/h		
18	1	Mounting plate for stroke	VMQ	H77440			kvs = 4,0 m³/h		
19	2	Pan head screw M5x12 DIN EN ISO 1580	PTFE + 25% carbon	H207154			kvs = 6,3 m³/h		
20	1	Stroke indicator Stroke: 15mm	1.4308	H157564	32		kvs = 10 m³/h		
21	1	Counternut M10x1, Stroke: 15mm	1.4308	H157564			kvs = 0,25 m³/h	1.4404	H327465
			A2-70	H78751			kvs = 0,4 m³/h	1.4404	H331801
			A2-70	H78772			kvs = 0,63 m³/h	1.4404	H179617
			MS58	H208825			kvs = 1,0 m³/h	1.4404	H179618
			1.4301	H17018			kvs = 1,6 m³/h	1.4404	H179620
			1.4301	H161763			kvs = 2,5 m³/h	1.4404	H159476
			1.4301	H127391			kvs = 4,0 m³/h	1.4404	H159477
			1.4301	H161761			kvs = 6,3 m³/h	1.4404	H159478
			1.4301	H162483			kvs = 10 m³/h	1.4404	H159479

Information contained in this document is subject to change without notice and does not represent a commitment on the part of SPX FLOW, Inc.. No part of this document may be reproduced or transmitted in any form or by any means, electronic or mechanical, including photocopying and recording, for any

Spare parts list:

Modulating valve RG4 - DN 25

Diaphragm actuator MAT 3271 or MAT 3277 (Spring: closed or open) - 120, 175, 350, 750cm²

**Digital electro-pneumatic positioner
Flow characteristic: linear or equal percentage**

Date:	22.06.15	10.01.23
Name:	Trytko	Shreshth
Approved by:		Waltenb.
Date:		
Name:		
Approved by:		

SPX FLOW

Page 3 of 18

RN 01.170.0

Item	Quantity	Description	Material	Part no.	Item	Quantity	Description	Material	Part no.
32	1	kvs = 0,25 m ³ /h	1.4404	H160657	34	1	Valve seat	1.4404	H317103
		kvs = 0,4 m ³ /h	1.4404	H159245					
		kvs = 0,63 m ³ /h	1.4404	H159244					
		kvs = 1,0 m ³ /h	1.4404	H159243					
		kvs = 1,6 m ³ /h	1.4404	H159140					
		kvs = 2,5 m ³ /h	1.4404	H166601					
		kvs = 4,0 m ³ /h	1.4404	H326212					
		kvs = 6,3 m ³ /h	1.4404	H207739					
		kvs = 10 m ³ /h	1.4404	H207038					
		kvs = 0,25 m ³ /h	1.4404	H311383					
kvs = 0,4 m ³ /h	1.4404	H320892							
kvs = 0,63 m ³ /h	1.4404	H312777							
kvs = 1,0 m ³ /h	1.4404	H208609							
kvs = 1,6 m ³ /h	1.4404	H311745							
kvs = 2,5 m ³ /h	1.4404	H159141							
kvs = 4,0 m ³ /h	1.4404	H159142							
kvs = 6,3 m ³ /h	1.4404	H159143							
kvs = 10 m ³ /h	1.4404	H159144							
33	1	kvs = 0,4 m ³ /h - kvs = 6,3 m ³ /h	EPDM	H77445	35	1	Pneumatic actuator MAT 3277 + TROVIS3730-1, IP3730-X, IP3725 see RN 01.170.13-1, RN 01.170.13-2	1.4404	H179830
		kvs = 1,0 m ³ /h - kvs = 1,6 m ³ /h	HNBR	H172173					
		kvs = 2,5 m ³ /h - kvs = 4,0 m ³ /h	FPM	H77444					
		kvs = 6,3 m ³ /h - kvs = 10 m ³ /h	VMQ	H77443					
34	1	kvs = 0,25 m ³ /h	1.4404	H160650	36	1	Pneumatic actuator MAT 3271 + IP763 see RN 01.170.13-3	1.4404	H146941
		kvs = 0,4 m ³ /h	1.4404	H160650					
		kvs = 0,63 m ³ /h	1.4404	H160650					
		kvs = 1,0 m ³ /h	1.4404	H126717					
		kvs = 1,6 m ³ /h	1.4404	H126717					
		kvs = 2,5 m ³ /h	1.4404	H152848					
		kvs = 4,0 m ³ /h	1.4404	H152848					
		kvs = 6,3 m ³ /h	1.4404	H152848					
		kvs = 10 m ³ /h	1.4404	H152848					
		kvs = 0,25 m ³ /h	1.4404	H160650					
kvs = 0,4 m ³ /h	1.4404	H160650							
kvs = 0,63 m ³ /h	1.4404	H160650							
kvs = 1,0 m ³ /h	1.4404	H126717							
kvs = 1,6 m ³ /h	1.4404	H126717							
kvs = 2,5 m ³ /h	1.4404	H152848							
kvs = 4,0 m ³ /h	1.4404	H152848							
kvs = 6,3 m ³ /h	1.4404	H152848							
kvs = 10 m ³ /h	1.4404	H152848							
Item 3, 8, 10, 11, 12, 33 available as complete seal kits only									
Seal kit									
Seal kit									
Seal kit									
Seal kit									
* LD* = linear flow characteristic, soft sealing									
* GD* = equal percentage flow characteristic, soft sealing									

Information contained in this document is subject to change without notice and does not represent a commitment on the part of SPX FLOW, Inc.. No part of this document may be reproduced or transmitted in any form or by any means, electronic or mechanical, including photocopying and recording, for any

Spare parts list:

Modulating valve RG4 - DN 40

Diaphragm actuator MAT 3271 or MAT 3277 (Spring: closed or open) - 120, 175, 350, 750cm²

Digital electro-pneumatic positioner
Flow characteristic: linear or equal percentage

Date: 22.06.15 10.01.23
Name: Trytko Shreshth
Approved by: Waltenb.
Date: _____
Name: _____
Approved by: _____

SPX FLOW

Page 4 of 18
RN 01.170.0

Item	Quantity	Description	Material	Part no.	Item	Quantity	Description	Material	Part no.
1	1	Housing RG41-1FN1	1.4404	H158110	22	1	Coupling top small for actuator 120	1.4301	H162484
2	1	Flange RG42-12FN1	1.4404	H208283	23	1	Coupling top big for actuator 175-750	1.4301	H162485
3	2	Seal FG1	1.4404	H158103	24	1	Driving plate complete for kvs 16-160	1.4301	H162486
4	4	Hex. screw M8x20 FG1	EPDM	H77292	25	3	Angle bracket G1/8" Ø6mm slewable	1.4301	H162487
5	1	Flange FG1	HNBR	H172131	26	1	Hex. screw M8x70 DIN EN 24014	A2-70	H208825
6	4	Hex. screw M8x28 FG1	FPM	H77291	27	1	Washer DIN 125 A l=8,4	A2-70	H78803
7	4	Hex. nut M8 FG1	VMQ	H77290	28	1	Hose 6x1x500	A2-70	H79594
8	2	Housing seal DIN EN 24017	A2-70	H78776	29	1	Electro-pneumatic without accessory: lever 1, positioner IP763	Aluminium die casted	H16541
9	1	Housing cover FNX1	1.4404	H158096	30	3	Red. nipple G1/4" G1/8" for actuator 120-175	MS58	H17018
10	1	Shaft seal DIN EN 24032	A2-70	H78778	31	2	Red. nipple G1/4" G1/8" for actuator 350-750	MS58	H17019
11	1	Seat seal Ø61	A2	H79281		1	Red. nipple G3/4" G1/8" for actuator 350-750	MS58	H17019
12	1	Bushing 20x9 Ø61	EPDM	H77464			kvs = 0,63 m³/h	1.4404	H160668
13	1	Yoke Ø61	HNBR	H170018			kvs = 1,0 m³/h	1.4404	H160669
14	1	Hex. screw M8x16 DIN EN 24017	FPM	H77441			kvs = 1,6 m³/h	1.4404	H159401
15	4	Hex. screw M8x16 DIN EN 24017	VMQ	H77440			kvs = 2,5 m³/h		
16	1	Elbow union G1/8" Ø6mm slewable	PTFE + 25% carbon	H207154			kvs = 4,0 m³/h		
17	1	Red. nipple G1/4" G1/8" for actuator 120-750	1.4308	H157565			kvs = 6,3 m³/h		
18	1	Mounting plate for stroke	A2-70	H78772			kvs = 10 m³/h		
19	2	Pan head screw M5x12 DIN EN ISO 1580	A2-70	H78772			kvs = 16 m³/h	1.4404	H169153
20	1	Stroke indicator Stroke: 15mm	A2-70	H208825			kvs = 25 m³/h	1.4404	H175757
21	1	Counter nut M10x1, Stroke: 15mm	MS58	H17018			kvs = 0,63 m³/h	1.4404	H179617
			1.4301	H161763			kvs = 1,0 m³/h	1.4404	H179618
			1.4301	H127391			kvs = 1,6 m³/h	1.4404	H179620
			1.4301	H161761			kvs = 2,5 m³/h	1.4404	H159476
			1.4301	H162483			kvs = 4,0 m³/h	1.4404	H159477
							kvs = 6,3 m³/h	1.4404	H159478
							kvs = 10 m³/h	1.4404	H159479
							kvs = 16 m³/h	1.4404	H159480
							kvs = 25 m³/h	1.4404	H159481

Information contained in this document is subject to change without notice and does not represent a commitment on the part of SPX FLOW, Inc.. No part of this document may be reproduced or transmitted in any form or by any means, electronic or mechanical, including photocopying and recording, for any

Item		Quantity		Material		Description		Part no.	
1	Housing	1	1	1.4404	RG41-1FN1	H158111			
2	Flange	1	1	1.4404	RG42-12FN1	H328942			
3	Seal	2	2	1.4404	FGX1	H158104			
4	Hex. screw M8x20	4	4	EPDM	FGN1	H77303			
5	Flange	1	1	HNBR	FGN1	H172132			
6	Hex. screw M8x28	4	4	FPM	FGN1	H77302			
7	Hex. nut M8	4	4	VMQ	FGN1	H77301			
8	Housing seal	2	2	A2-70	DIN EN 24017	H78776			
9	Housing cover	1	1	1.4404	FNX1	H158097			
10	Shaft seal	1	1	A2-70	DIN EN 24017	H78778			
11	Seat seal	1	1	A2	DIN EN 24032	H79281			
12	Bushing 20x9	1	1	EPDM	Ø73	H77488			
13	Yoke	1	1	HNBR	Ø73	H168714			
14	Hex. screw M8x16	1	1	FPM	Ø73	H77487			
15	Hex. screw M8x16	4	4	1.4404	Turcon MF6	H148194			
16	Elbow union	1	1	EPDM		H323082			
17	Red. nipple G1/4" G1/8"	1	1	HNBR		H77442			
18	Mounting plate for stroke	1	1	FPM		H170176			
19	Pan head screw M5x12	2	2	VMQ		H77441			
20	Stroke indicator	1	1	PTFE + 25% carbon		H77440			
21	Counternut	1	1	1.4308		H207154			
22	Coupling top small	1	1	A2-70		H157567			
23	Coupling top big	1	1	A2-70		H78772			
24	Driving plate complete	1	1	A2-70		H78772			
25	Angle bracket	1	1	MS58	G1/8" Ø6mm slewable	H208825			
26	Elbow union	3	3	MS58	G1/8" Ø6mm slewable	H208825			
27	Hex. screw M8x70	1	1	A2-70	DIN EN 24014	H78803			
28	Washer	1	1	A2-70	DIN 125 A l=8,4	H79594			
29	Hose	1	1	A2-70	6x1x500	H16541			
30	Electro-pneumatic positioner IP763	1	1	Aluminium die casted	without accessory: lever l, spring (stroke 15mm)	H66919			
31	Red. nipple G1/4" G1/8"	3	3	MS58	for actuator 120-175	H17018			
32	Red. nipple G1/4" G1/8"	2	2	MS58	for actuator 350-750	H17018			
33	Red. nipple G3/4" G1/8"	1	1	MS58	for actuator 350-750	H17019			
34	Shaft - linear L*	1	1	1.4404	kvs = 4,0 m³/h	H169153			
35	Shaft - linear LD*	1	1	1.4404	kvs = 6,3 m³/h	H159478			
36	Shaft - equal percentage G*	1	1	1.4404	kvs = 10 m³/h	H159479			
37	Shaft - equal percentage G*	1	1	1.4404	kvs = 16 m³/h	H159480			
38	Shaft - equal percentage G*	1	1	1.4404	kvs = 25 m³/h	H149481			
39	Shaft - equal percentage G*	1	1	1.4404	kvs = 40 m³/h	H159482			
40	Shaft - equal percentage G*	1	1	1.4404	kvs = 4,0 m³/h	H326212			
41	Shaft - equal percentage G*	1	1	1.4404	kvs = 6,3 m³/h	H207739			
42	Shaft - equal percentage G*	1	1	1.4404	kvs = 10 m³/h	H207038			
43	Shaft - equal percentage G*	1	1	1.4404	kvs = 16 m³/h	H331585			
44	Shaft - equal percentage G*	1	1	1.4404	kvs = 25 m³/h	H163545			
45	Shaft - equal percentage G*	1	1	1.4404	kvs = 40 m³/h	H333827			

Spare parts list:

Modulating valve RG4 - DN 50

Diaphragm actuator MAT 3271 or MAT 3277 (Spring: closed or open) - 120, 175, 350, 750cm²

Digital electro-pneumatic positioner

Flow characteristic: linear or equal percentage

Date: 22.06.15 10.01.23

Name: Trytko Shreshth

Approved by: Waltenb.

Page 7 of 18

RN 01.170.0

SPX FLOW

Information contained in this document is subject to change without notice and does not represent a commitment on the part of SPX FLOW, Inc.. No part of this document may be reproduced or transmitted in any form or by any means, electronic or mechanical, including photocopying and recording, for any

Spare parts list:

Modulating valve RG4 - DN 50

Diaphragm actuator MAT 3271 or MAT 3277 (Spring: closed or open) - 120, 175, 350, 750cm²

Digital electro-pneumatic positioner

Flow characteristic: linear or equal percentage

Date: 22.06.15 10.01.23

Name: Trytko Shreshth

Approved by: Waltenb.

Page 8 of 18

RN 01.170.0

SPX FLOW

Item	Quantity	Description	Material	Part no.	Item	Quantity	Description	Material	Part no.
32	1	Shaft - equal percentage GD*	kvs = 4,0 m ³ /h	H159142	34.1	1	Valve seat with punched cage (noise reduction)	1.4404	H159142
			kvs = 6,3 m ³ /h	H159143				1.4404	H159143
			kvs = 10 m ³ /h	H159144				1.4404	H159144
			kvs = 16 m ³ /h	H159145				1.4404	H159145
			kvs = 25 m ³ /h	H159146				1.4404	H159146
33	1	Seat seal	kvs = 4,0 m ³ /h	H77445	35	1	Pneumatic actuator MAT 3277 + TROVIS3730-1, IP3730-X, IP3725 see RN 01.170.13-1, RN 01.170.13-2	EPDM	H77445
			kvs = 6,3 m ³ /h	H172173				HNBR	H172173
			kvs = 10 m ³ /h	H77444				FPM	H77444
				H77443				VMQ	H77443
				H77470				EPDM	H77470
33	1	Seat seal	kvs = 16 m ³ /h	H172175	36	1	Pneumatic actuator MAT 3271 + IP763 see RN 01.170.13-3	HNBR	H172175
			kvs = 25 m ³ /h	H77469				FPM	H77469
				H77468				VMQ	H77468
				H77494				EPDM	H77494
				H165709				HNBR	H165709
34	1	Valve seat metal sealing	kvs = 4,0 m ³ /h	H77493	34	1	Valve seat metal sealing	FPM	H77493
			kvs = 6,3 m ³ /h	H77492				VMQ	H77492
			kvs = 10 m ³ /h	H202927				1.4404	H202927
			kvs = 16 m ³ /h	H33481				1.4404	H33481
			kvs = 25 m ³ /h	H33482				1.4404	H33482
		Valve seat	kvs = 4,0 m ³ /h	H33483			Pneumatic actuator MAT 3271 + IP763 see RN 01.170.13-3	1.4404	H33483
			kvs = 6,3 m ³ /h						
			kvs = 10 m ³ /h						
			kvs = 16 m ³ /h						
			kvs = 25 m ³ /h						
<p>Item 3, 8, 10, 11, 12, 33 available as complete seal kits only</p>									
<p>1 Seal kit EPDM H174410</p>									
<p>1 Seal kit HNBR H319115</p>									
<p>1 Seal kit FPM H325444</p>									
<p>1 Seal kit VMQ H324331</p>									
<p>* LD* = linear flow characteristic, soft sealing</p>									
<p>* GD* = equal percentage flow characteristic, soft sealing</p>									

Information contained in this document is subject to change without notice and does not represent a commitment on the part of SPX FLOW, Inc.. No part of this document may be reproduced or transmitted in any form or by any means, electronic or mechanical, including photocopying and recording, for any

Spare parts list:

Modulating valve RG4 - DN 65

Diaphragm actuator MAT 3271 or MAT 3277 (Spring: closed or open) - 120, 175, 350, 750cm²

Digital electro-pneumatic positioner
Flow characteristic: linear or equal percentage

Date: 22.06.15 10.01.23
Name: Trytko Shreshth
Approved by: Waltenb.

Date: _____
Name: _____
Approved by: _____

SPX FLOW

Page 9 of 18

RN 01.170.0

Item	Quantity	Description	Material	Part no.	Item	Quantity	Description	Material	Part no.
1	1	Housing RG41-1FN1	1.4404	H158112	22	1	Coupling top small for actuator 120	1.4301	H162484
2	1	Flange RG42-12FN1	1.4404	H331852	23	1	Coupling top big for actuator 175-750	1.4301	H162485
3	2	Seal FG1	1.4404	H158105	24	1	Driving plate complete for kvs 16-160	1.4301	H162486
4	4	Hex. screw M8x20 FG1	EPDM	H77314	25	3	Angle bracket G1/8" Ø6mm slewable	1.4301	H162487
5	1	Flange FG1	HNBR	H172133	26	1	Elbow union DIN EN 24014	A2-70	H208825
6	4	Hex. screw M8x28 FG1	FPM	H77313	27	1	Hex. screw M8x70 DIN 125 A l=8,4	A2-70	H78803
7	4	Hex. nut M8 FG1	VMQ	H77312	28	1	Washer 6x1x500	A2-70	H79594
8	2	Housing seal DIN EN 24017	A2-70	H78776	29	1	Hose without accessory: lever 1, positioner IP763	Aluminium die casted	H16541
9	1	Housing cover FNX1	1.4404	H158098	30	3	Red. nipple G1/4" G1/8" for actuator 120-175	MS58	H17018
10	1	Shaft seal DIN EN 24032	A2-70	H78778	31	2	Red. nipple G1/4" G1/8" for actuator 350-750	MS58	H17019
11	1	Seat seal Ø81	EPDM	H77512	32	1	Red. nipple G3/4" G1/8" for actuator 350-750	MS58	H17019
12	1	Bushing 20x9 Ø81	HNBR	H168759			kvs = 16 m³/h	1.4404	H169153
13	1	Yoke Ø81	FPM	H77511			kvs = 25 m³/h	1.4404	H175757
14	1	Hex. screw M8x16 DIN EN 24017	1.4404	H151968			kvs = 40 m³/h	1.4404	H176315
15	4	Hex. screw M8x16 DIN EN 24017	Turcon MF6	H323082			kvs = 63 m³/h	1.4404	
16	1	Elbow union G1/8" Ø6mm slewable	EPDM	H77442			kvs = 16 m³/h	1.4404	
17	1	Red. nipple G1/4" G1/8" for actuator 120-750	HNBR	H170176			kvs = 25 m³/h	1.4404	H159480
18	1	Mounting plate for stroke	FPM	H77441			kvs = 40 m³/h	1.4404	H159481
19	2	Pan head screw M5x12 DIN EN ISO 1580	VMQ	H77440			kvs = 63 m³/h	1.4404	H159482
20	1	Stroke indicator Stroke: 15mm	PTFE + 25% carbon	H207154			kvs = 16 m³/h	1.4404	H159483
21	1	Counternut M10x1, Stroke: 15mm	1.4308	H157568			kvs = 25 m³/h	1.4404	H331585
			A2-70	H78772			kvs = 40 m³/h	1.4404	H163545
			A2-70	H78772			kvs = 63 m³/h	1.4404	H333827
			MS58	H208825			kvs = 63 m³/h	1.4404	H333843
			1.4301	H17018			kvs = 16 m³/h	1.4404	H159145
			1.4301	H161763			kvs = 25 m³/h	1.4404	H159146
			1.4301	H127391			kvs = 40 m³/h	1.4404	H159147
			1.4301	H161761			kvs = 63 m³/h	1.4404	H159148
			1.4301	H162483					

Information contained in this document is subject to change without notice and does not represent a commitment on the part of SPX FLOW, Inc.. No part of this document may be reproduced or transmitted in any form or by any means, electronic or mechanical, including photocopying and recording, for any

Spare parts list:

Modulating valve RG4 - DN 80

Diaphragm actuator MAT 3271 or MAT 3277 (Spring: closed or open) - 120, 175, 350, 750cm²

**Digital electro-pneumatic positioner
Flow characteristic: linear or equal percentage**

Date: 22.06.15 10.01.23
Name: Trytko Shreshth
Approved by: Waltenb.

Date: _____
Name: _____
Approved by: _____

SPX FLOW

RN 01.170.0

Item	Quantity	Description	Material	Part no.	Item	Quantity	Description	Material	Part no.
1	1	Housing RG41-1FN1	1.4404	H158113	22	1	Coupling top small for actuator 120	1.4301	H162484
2	1	Flange RG42-12FN1	1.4404	H168919	23	1	Coupling top big for actuator 175-750	1.4301	H162485
3	2	Seal FG1	1.4404	H158106	24	1	Driving plate complete for kvs 16-160	1.4301	H162486
4	4	Hex. screw M10x20 FG1	EPDM	H77325	25	3	Angle bracket G1/8" Ø6mm slewable	1.4301	H162487
5	1	Flange FG1	HNBR	H172134	26	1	Hex. screw M8x70 DIN EN 24014	A2-70	H78803
6	8	Hex. screw M8x28 FG1	FPM	H77324	27	1	Washer DIN 125 A l=8,4	A2-70	H79594
7	8	Hex. nut M8 FG1	VMQ	H77323	28	1	Hose 6x1x500	A2-70	H16541
8	2	Housing seal DIN EN 24017	A2-70	H78809	29	1	Electro-pneumatic without accessory: lever 1, positioner IP763	Aluminium die casted	H66919
9	1	Housing cover FNX1	1.4404	H18844	30	3	Red. nipple G1/4" G1/8" for actuator 120-175	MS58	H17018
10	1	Shaft seal DIN EN 24032	A2-70	H78778	31	2	Red. nipple G1/4" G1/8" for actuator 350-750	MS58	H17018
11	1	Seat seal Ø94	EPDM	H79281		1	Red. nipple G3/4" G1/8" for actuator 350-750	MS58	H17019
12	1	Bushing 20x9 Ø94	HNBR	H77543			kvs = 16 m ³ /h	1.4404	H169153
13	1	Yoke Ø94	FPM	H170075			kvs = 25 m ³ /h	1.4404	H175757
14	1	Hex. screw M8x16 DIN EN 24017	1.4404	H156593			kvs = 40 m ³ /h	1.4404	H176315
15	4	Hex. screw M10x16 DIN EN 24017	Turcon MF6	H323082			kvs = 63 m ³ /h	1.4404	
16	1	Elbow union G1/8" Ø6mm slewable	EPDM	H77442			kvs = 100 m ³ /h	1.4404	
17	1	Red. nipple G1/4" G1/8" for actuator 120-750	HNBR	H170176			kvs = 16 m ³ /h	1.4404	
18	1	Mounting plate for stroke	FPM	H77441			kvs = 25 m ³ /h	1.4404	
19	2	Pan head screw M5x12 DIN EN ISO 1580	VMQ	H77440			kvs = 40 m ³ /h	1.4404	
20	1	Stroke indicator Stroke: 15mm	PTFE + 25% carbon	H207154			kvs = 63 m ³ /h	1.4404	
21	1	Counternut M10x1, Stroke: 15mm	1.4308	H159379			kvs = 100 m ³ /h	1.4404	
			A2-70	H78772			kvs = 16 m ³ /h	1.4404	
			A2-70	H78806			kvs = 25 m ³ /h	1.4404	
			MS58	H208825			kvs = 40 m ³ /h	1.4404	
			1.4301	H17018			kvs = 63 m ³ /h	1.4404	
			1.4301	H161763			kvs = 100 m ³ /h	1.4404	
			1.4301	H127391			kvs = 16 m ³ /h	1.4404	
			1.4301	H161761			kvs = 25 m ³ /h	1.4404	
			1.4301	H162483			kvs = 40 m ³ /h	1.4404	
							kvs = 63 m ³ /h	1.4404	
							kvs = 100 m ³ /h	1.4404	

Information contained in this document is subject to change without notice and does not represent a commitment on the part of SPX FLOW, Inc.. No part of this document may be reproduced or transmitted in any form or by any means, electronic or mechanical, including photocopying and recording, for any

Spare parts list:												
Modulating valve RG4 - DN 80												
Diaphragm actuator MAT 3271 or MAT 3277 (Spring: closed or open) - 120, 175, 350, 750cm ²												
Digital electro-pneumatic positioner												
Flow characteristic: linear or equal percentage												
Item	Quantity	Description	Material	Part no.	Item	Quantity	Description	Material	Part no.	Material	Part no.	
32	1	Shaft - equal percentage GD*	kvs = 16 m ³ /h	H159145	34.1	1	Valve seat with punched cage (noise reduction)	1.4404	H159145	1.4404	H167160	
			kvs = 25 m ³ /h	H159146								
			kvs = 40 m ³ /h	H159147								
			kvs = 63 m ³ /h	H159148								
			kvs = 100 m ³ /h	H159149								
33	1	Seat seal	kvs = 16 m ³ /h	H77470	35	1	Pneumatic actuator MAT 3277 + TROVIS3730-1, IP3730-X, IP3725 see RN 01.170.13-1, RN 01.170.13-2	EPDM	H77470	1.4404	H148265	
			kvs = 25 m ³ /h	H172175								
			kvs = 40 m ³ /h	H77469								
				H77468								
				H77494								
34	1	Seat seal	kvs = 40 m ³ /h	H165709	36	1	Pneumatic actuator MAT 3271 + IP763 see RN 01.170.13-3	HNBR	H165709	1.4404	H141525	
				H77493								
				H77492								
				H77518								
				H172178								
34	1	Seat seal	kvs = 63 m ³ /h	H77517	36	1	Pneumatic actuator MAT 3271 + IP763 see RN 01.170.13-3	FPM	H77517	1.4404	H141523	
				H77516								
				H77549								
				H172180								
				H77548								
34	1	Seat seal	kvs = 100 m ³ /h	H77516	36	1	Pneumatic actuator MAT 3271 + IP763 see RN 01.170.13-3	VMQ	H77516	1.4404	H141523	
				H77549								
				H77549								
				H172180								
				H77548								
34	1	Valve seat metal sealing	kvs = 16 m ³ /h	H105569	36	1	Pneumatic actuator MAT 3271 + IP763 see RN 01.170.13-3	EPDM	H105569	1.4404	H167160	
			kvs = 25 m ³ /h	H33487								
			kvs = 40 m ³ /h	H33487								
			kvs = 63 m ³ /h	H33488								
			kvs = 100 m ³ /h	H33489								
34	1	Valve seat	kvs = 16 m ³ /h	H105569	36	1	Pneumatic actuator MAT 3271 + IP763 see RN 01.170.13-3	HNBR	H105569	1.4404	H167160	
			kvs = 25 m ³ /h	H33487								
			kvs = 40 m ³ /h	H33487								
			kvs = 63 m ³ /h	H33488								
			kvs = 100 m ³ /h	H33489								
<p style="text-align: center;">Item 3, 8, 10, 11, 12, 33 available as complete seal kits only</p>												
<p style="text-align: center;">1 Seal kit EPDM H174412</p>												
<p style="text-align: center;">1 Seal kit HNBR H334556</p>												
<p style="text-align: center;">1 Seal kit FPM H325658</p>												
<p style="text-align: center;">1 Seal kit VMQ H324332</p>												
<p style="text-align: center;">* LD* = linear flow characteristic, soft sealing</p>												
<p style="text-align: center;">* GD* = equal percentage flow characteristic, soft sealing</p>												

Information contained in this document is subject to change without notice and does not represent a commitment on the part of SPX FLOW, Inc.. No part of this document may be reproduced or transmitted in any form or by any means, electronic or mechanical, including photocopying and recording, for any

Spare parts list:

Modulating valve RG4 - DN 100

Diaphragm actuator MAT 3271 or MAT 3277 (Spring: closed or open) - 120, 175, 350, 750cm²

Digital electro-pneumatic positioner
Flow characteristic: linear or equal percentage

Date: 22.06.15 10.01.23
Name: Trytko Shreshth
Approved by: Waltenb.

Date: _____ of _____
Name: _____
Approved by: _____

SPX FLOW

Page 13 of 18
RN 01.170.0

Item	Quantity	Description	Material	Part no.	Item	Quantity	Description	Material	Part no.
1	1	Housing	1.4404	H158114	16	1	Elbow union		H208825
2	1	Flange	1.4404	H158107	17	1	Red. nipple G1/4" G1/8" for actuator 120-750	MS58	H17018
3	2	Seal	EPDM	H77339	18	1	Mounting plate for stroke	1.4301	H161763
4	4	Hex. screw M10x20	HNR	H172135	19	2	Pan head screw M5x12 DIN EN ISO 1580	1.4301	H127391
5	1	Flange	FPM	H77338	20	1	Stroke indicator	1.4301	H161761
6	8	Hex. screw M8x28	VMQ	H77337			Stroke: 15mm		H161762
7	8	Hex. nut M8	A2-70	H78809	21	1	Counternut	1.4301	H162483
8	2	Housing seal	1.4404	H18846			M10x1, Stroke: 15mm		H205881
9	1	Housing cover	A2-70	H78778	22	1	Coupling top small for actuator 120	1.4301	H162484
10	1	Shaft seal	A2	H79281			M14x1,5, Stroke: 30mm		H162485
			EPDM	H77583	23	1	Coupling top big for actuator 175-750	1.4301	H205827
			HNR	H170074	24	1	Driving plate complete	1.4301	H162486
			FPM	H77582	25	3	Angle bracket for kvs 16-160	1.4301	H162487
			1.4404	H159888	26	1	Hex. screw M8x70	A2-70	H78803
			Turcon MF6	H319974	27	1	Washer DIN EN 24014	A2-70	H79594
			EPDM	H323082	28	1	Hose 6x1x500		H16541
			HNR	H200020			without accessory: lever l, spring l (stroke 15mm)	Aluminium die casted	H66919
			FPM	H77442	29	1	Electro-pneumatic positioner IP763		H66920
			VMQ	H170176			without accessory: lever l, spring l (stroke 30mm)		
			EPDM	H77441	30	3	Red. nipple G1/4" G1/8" for actuator 120-175	MS58	H17018
			HNR	H77467	2	2	Red. nipple G1/4" G1/8" for actuator 350-750	MS58	H17018
			FPM	H176676	31	1	Red. nipple G3/4" G1/8" for actuator 350-750	MS58	H17019
			VMQ	H77466			kvs = 40m ³ /h	1.4404	
			PTFE + 25% carbon	H77465	32	1	Shaft - linear L*	1.4404	
			1.4308	H207154			kvs = 63 m ³ /h	1.4404	
			A2-70	H334067			kvs = 100 m ³ /h	1.4404	
			A2-70	H157572			kvs = 160 m ³ /h Stroke: 15mm	1.4404	
			A2-70	H319975			kvs = 160 m ³ /h Stroke: 30mm	1.4404	
				H78772					
				H78806					

Information contained in this document is subject to change without notice and does not represent a commitment on the part of SPX FLOW, Inc.. No part of this document may be reproduced or transmitted in any form or by any means, electronic or mechanical, including photocopying and recording, for any

Spare parts list:

Modulating valve RG4 - DN 100

Diaphragm actuator MAT 3271 or MAT 3277 (Spring: closed or open) - 120, 175, 350, 750cm²

Digital electro-pneumatic positioner

Flow characteristic: linear or equal percentage

Date: 22.06.15 10.01.23

Name: Trytko Shreshth

Approved by: Waltenb.

SPX FLOW

Item	Quantity	Description	Material	Part no.	Item	Quantity	Description	Material	Part no.
32	1	Shaft - linear LD*	kvs = 40m ³ /h	H159482	34	1	Valve seat metal sealing	1.4404	1.4404
			kvs = 63 m ³ /h	H159483				1.4404	1.4404
			kvs = 100 m ³ /h	H159309				1.4404	1.4404
			kvs = 160 m ³ /h Stroke: 15mm	H167867				1.4404	1.4404
			kvs = 160 m ³ /h Stroke: 30mm	H159484				1.4404	1.4404
32	1	Shaft - equal percentage G*	kvs = 40m ³ /h	H176760	34.1	1	Valve seat	1.4404	1.4404
			kvs = 63 m ³ /h	H175802				1.4404	1.4404
			kvs = 100 m ³ /h	H159147				1.4404	1.4404
			kvs = 160 m ³ /h Stroke: 15mm	H159148				1.4404	1.4404
			kvs = 160 m ³ /h Stroke: 30mm	H159149				1.4404	1.4404
33	1	Shaft - equal percentage GD*	kvs = 40m ³ /h	H175422	35	1	Valve seat with punched cage (noise reduction)	1.4404	1.4404
			kvs = 63 m ³ /h	H159151				1.4404	1.4404
			kvs = 100 m ³ /h	H77494				1.4404	1.4404
			kvs = 160 m ³ /h Stroke: 15mm	H165709				1.4404	1.4404
			kvs = 160 m ³ /h Stroke: 30mm	H77493				1.4404	1.4404
33	1	Seat seal	kvs = 40 m ³ /h	H77492	36	1	Pneumatic actuator MAT 3271 + IP763 see RN 01.170.13-3	VMQ	1.4404
			kvs = 63 m ³ /h	H77518				EPDM	1.4404
			kvs = 100 m ³ /h	H12178				HNBR	1.4404
				H77517				FPM	1.4404
				H77516				VMQ	1.4404
				H77549				EPDM	1.4404
				H12180				HNBR	1.4404
				H77548				FPM	1.4404
				H77547				VMQ	1.4404
				H77589				EPDM	1.4404
				H12183				HNBR	1.4404
				H77588				FPM	1.4404
				H77587				VMQ	1.4404
Item 3, 8, 10, 11, 12, 33 available as complete seal kits only									
	1	Seal kit	Stroke: 15mm	EPDM					H174413
	1	Seal kit	Stroke: 15mm	HNBR					H338005
	1	Seal kit	Stroke: 15mm	FPM					H325389
	1	Seal kit	Stroke: 15mm	VMQ					H338004
	1	Seal kit	Stroke: 30mm	EPDM					H338007
	1	Seal kit	Stroke: 30mm	HNBR					H338009
	1	Seal kit	Stroke: 30mm	FPM					H338006
	1	Seal kit	Stroke: 30mm	VMQ					H338008
	*	LD* = linear flow characteristic, soft sealing							
	*	GD* = equal percentage flow characteristic, soft sealing							

Information contained in this document is subject to change without notice and does not represent a commitment on the part of SPX FLOW, Inc.. No part of this document may be reproduced or transmitted in any form or by any means, electronic or mechanical, including photocopying and recording, for any

Spare parts list:

Modulating valve RG4 - DN 125

Diaphragm actuator MAT 3271 or MAT 3277 (Spring: closed or open) - 120, 175, 350, 750cm²

Digital electro-pneumatic positioner
Flow characteristic: linear or equal percentage

Date: 22.06.15 10.01.23
Name: Trytko Shreshth
Approved by: Waltenb.
Date: _____
Name: _____
Approved by: _____

SPX FLOW

Page 15 of 18

RN 01.170.0

Item	Quantity	Description	Material	Part no.	Item	Quantity	Description	Material	Part no.
1	1	Housing	1.4404	H158115	16	1	Elbow union		H208825
2	1	Flange	1.4404	H18839	17	1	Red. nipple G1/4" G1/8" for actuator 120-750	MS58	H17018
3	2	Seal	EPDM	H77351	18	1	Mounting plate for stroke	1.4301	H161763
4	8	Hex. screw M10x25	HNBR	H172136	19	2	Pan head screw M5x12 DIN EN ISO 1580	1.4301	H127391
5	1	Flange	FPM	H77350	20	1	Stroke indicator	1.4301	H161761
6	8	Hex. screw M10x40	VMQ	H77349			Stroke: 15mm		H161762
7	8	Hex. nut M10	A2-70	H78811	21	1	Counternut	1.4301	H162483
8	2	Housing seal	1.4404	H159201			M10x1, Stroke: 15mm		H205881
9	1	Housing cover	A2-70	H78831			M14x1,5, Stroke: 30mm		
10	1	Shaft seal	A2	H79287			for actuator 120		
			EPDM	H77608	22	1	Coupling top small for actuator 175-750	1.4301	H162485
			HNBR	H172125			Coupling top big for actuator 175-750	1.4301	H205827
			FPM	H77607	23	1	Driving plate complete	1.4301	H162486
			1.4404	H156218	24	1	Angle bracket for kvs 16-160	1.4301	H162487
			Turcon MF6	H202139	25	3	Elbow union G1/8" Ø6mm slewable		H208825
			EPDM	H323082	26	1	Hex. screw M8x70 DIN EN 24014	A2-70	H78803
			HNBR	H200020	27	1	Washer DIN 125 A l=8,4	A2-70	H79594
			FPM	H77442	28	1	Hose 6x1x500		H16541
			VMQ	H77440			without accessory: lever l, spring l (stroke 15mm)	Aluminium die casted	H66919
			EPDM	H77467	29	1	Electro-pneumatic positioner IP763		H66920
			HNBR	H170176			without accessory: lever l, spring l (stroke 30mm)		
			FPM	H77441	30	3	Red. nipple G1/4" G1/8" for actuator 120-175	MS58	H17018
			VMQ	H77440			for actuator 350-750	MS58	H17018
			EPDM	H77467	31	1	Red. nipple G1/4" G1/8" for actuator 350-750	MS58	H17019
			HNBR	H166676			for actuator 350-750		
			FPM	H77466			kvs = 63 m ³ /h	1.4404	
			VMQ	H77465			kvs = 100 m ³ /h	1.4404	
			PTFE + 25% carbon	H207154	32	1	Shaft - linear L*	1.4404	
			1.4308	H334067			kvs = 160 m ³ /h Stroke: 15mm	1.4404	
			A2-70	H157574			kvs = 160 m ³ /h Stroke: 30mm	1.4404	
			A2-70	H202128			kvs = 250 m ³ /h Stroke: 30mm	1.4404	
			A2-70	H78776					
			A2-70	H78807					

Information contained in this document is subject to change without notice and does not represent a commitment on the part of SPX FLOW, Inc.. No part of this document may be reproduced or transmitted in any form or by any means, electronic or mechanical, including photocopying and recording, for any

Spare parts list:

Modulating valve RG4 - DN 125

Diaphragm actuator MAT 3271 or MAT 3277 (Spring: closed or open) - 120, 175, 350, 750cm²

Digital electro-pneumatic positioner

Flow characteristic: linear or equal percentage

Date: 22.06.15 10.01.23
 Name: Trytko Shreshth
 Approved by: Waltenb.

Date: _____
 Name: _____
 Approved by: _____

SPX FLOW

Page 16 of 18

RN 01.170.0

Item	Quantity	Description	Material	Part no.	Item	Quantity	Description	Material	Part no.
32	1	Shaft - linear LD*	kvs = 63 m ³ /h	1.4404	H159483	34	Valve seat metal sealing	kvs = 63 m ³ /h	1.4404
			kvs = 100 m ³ /h	1.4404	H159309			kvs = 100 m ³ /h	1.4404
			kvs = 160 m ³ /h Stroke: 15mm	1.4404	H167867			kvs = 160 m ³ /h Stroke: 15mm	1.4404
			kvs = 160 m ³ /h Stroke: 30mm	1.4404	H159484			kvs = 160 m ³ /h Stroke: 30mm	1.4404
			kvs = 250 m ³ /h Stroke: 30mm	1.4404	H202134			kvs = 250 m ³ /h Stroke: 30mm	1.4404
32	1	Shaft - equal percentage G*	kvs = 63 m ³ /h	1.4404	H333843	34	Valve seat	kvs = 63 m ³ /h	1.4404
			kvs = 100 m ³ /h	1.4404	H176760			kvs = 100 m ³ /h	1.4404
			kvs = 160 m ³ /h Stroke: 15mm	1.4404	H175802			kvs = 160 m ³ /h Stroke: 15mm	1.4404
			kvs = 160 m ³ /h Stroke: 30mm	1.4404				kvs = 160 m ³ /h Stroke: 30mm	1.4404
			kvs = 250 m ³ /h Stroke: 30mm	1.4404				kvs = 250 m ³ /h Stroke: 30mm	1.4404
32	1	Shaft - equal percentage GD*	kvs = 63 m ³ /h	1.4404	H159148	34.1	Valve seat with punched cage (noise reduction)	kvs = 63 m ³ /h	1.4404
			kvs = 100 m ³ /h	1.4404	H159149			kvs = 100 m ³ /h	1.4404
			kvs = 160 m ³ /h Stroke: 15mm	1.4404	H175422			kvs = 160 m ³ /h Stroke: 15mm	1.4404
			kvs = 160 m ³ /h Stroke: 30mm	1.4404	H159151			kvs = 160 m ³ /h Stroke: 30mm	1.4404
			kvs = 250 m ³ /h Stroke: 30mm	1.4404	H205833			kvs = 250 m ³ /h Stroke: 30mm	1.4404
33	1	Seat seal	kvs = 63 m ³ /h	EPDM	H77518	35	Pneumatic actuator MAT 3277 + TROVIS3730-1, IP3730-X, IP3725 see RN 01.170.13-1, RN 01.170.13-2		
				HNBR	H12178				
				FPM	H77517				
				VMQ	H77516				
				EPDM	H77549				
				HNBR	H12180				
				FPM	H77548				
				VMQ	H77547				
				EPDM	H77589				
				HNBR	H12183				
33	1	Seat seal	kvs = 160 m ³ /h Stroke: 15mm Stroke: 30mm	FPM	H77588	36	Pneumatic actuator MAT 3271 + IP763 see RN 01.170.13-3		
				VMQ	H77587				
				EPDM	H77614				
				HNBR	H12189				
				FPM	H77613				
				VMQ	H77612				
				EPDM					
				HNBR					
				FPM					
				VMQ					
	1	Seat seal	kvs = 250 m ³ /h Stroke: 30mm	EPDM	H174414	36	Pneumatic actuator MAT 3271 + IP763 see RN 01.170.13-3		
				HNBR	H338012				
				FPM	H338010				
				VMQ	H338011				
				EPDM	H207294				
				HNBR	H338015				
				FPM	H338013				
				VMQ	H338014				
				EPDM					
				HNBR					
				FPM					
				VMQ					

Item 3, 8, 10, 11, 12, 33 available as complete seal kits only

LD* = linear flow characteristic, soft sealing

GD* = equal percentage flow characteristic, soft sealing

Information contained in this document is subject to change without notice and does not represent a commitment on the part of SPX FLOW, Inc.. No part of this document may be reproduced or transmitted in any form or by any means, electronic or mechanical, including photocopying and recording, for any

Spare parts list:

Modulating valve RG4 - DN 150

Diaphragm actuator MAT 3271 or MAT 3277 (Spring: closed or open) - 120, 175, 350, 750cm²

**Digital electro-pneumatic positioner
Flow characteristic: linear or equal percentage**

Date: 22.06.15 10.01.23
Name: Trytko Shreshth
Approved by: Waltenb.

Date: _____
Name: _____
Approved by: _____

SPX FLOW

Page 17 of 18

RN 01.170.0

Item	Quantity	Description	Material	Part no.	Item	Quantity	Description	Material	Part no.
1	1	Housing RG41-1FN1	1.4404	H205811	21	1	Counter nut M10x1 , Stroke: 15mm	1.4301	H205881
2	1	Flange RG42-12FN1	1.4404		22	1	Coupling top small M14x1,5 ,Stroke: 30mm	1.4301	
3	2	Seal FGX1	1.4404	H18858	22	1	Coupling top big for actuator 175-750	1.4301	
4	8	Hex. screw M10x25 FGN1	EPDM	H77357	23	1	Driving plate complete Stroke: 30mm M14x1.5	1.4301	H205827
5	1	Flange FGN1	HNBR	H172137	24	1	Angle bracket for kvs 16-160	1.4301	H162487
6	8	Hex. screw M10x40 FGN1	FPM	H77356	25	3	Elbow union G1/8" Ø6mm slewable	1.4301	H208825
7	8	Hex. nut M10 DIN EN 24017	VMQ	H77355	26	1	Hex. screw M8x70 DIN EN 24014	A2-70	H78803
8	2	Housing seal Ø165	A2-70	H78811	27	1	Washer DIN 125 A l=8,4	A2-70	H79594
9	1	Housing cover Ø165	A2	H79287	28	1	Hose 6x1x500		H16541
10	1	Shaft seal Stroke: 30mm	EPDM	H77625	29	1	Electro-pneumatic positioner IP763 without accessory: lever I, spring I (stroke 15mm)	Aluminium die casted	H66920
11	1	Seat seal Stroke: 30mm	HNBR	H172126	30	3	Red. nipple G1/4" G1/8" for actuator 120-175	MS58	H17018
12	1	Bushing 30x9 Stroke: 30mm	FPM	H77624	31	2	Red. nipple G1/4" G1/8" for actuator 350-750	MS58	H17018
13	1	Yoke Stroke: 30mm	1.4404	H205819	31	1	Red. nipple G3/4" G1/8" for actuator 350-750	MS58	H17019
14	2	Hex. screw M8x20 DIN EN 24017	Turcon MF6	H200020		1	Shaft - linear L* kvs = 160 m³/h	1.4404	
15	8	Hex. screw M10x18 DIN EN 24017	EPDM	H77467		1	Shaft - linear L* kvs = 250 m³/h	1.4404	
16	1	Elbow union G1/8" Ø6mm slewable	HNBR	H166676		1	Shaft - linear L* kvs = 400 m³/h	1.4404	
17	1	Red. nipple G1/4" G1/8" for actuator 120-750	FPM	H77466		1	Shaft - linear LD* kvs = 160 m³/h	1.4404	H159484
18	1	Mounting plate for stroke	VMQ	H77465		1	Shaft - linear LD* kvs = 250 m³/h	1.4404	H202134
19	2	Pan head screw M5x12 DIN EN ISO 1580	PTFE + 25% carbon	H334067		1	Shaft - equal percentage G* kvs = 400 m³/h	1.4404	H329845
20	1	Stroke indicator Stroke: 15mm	1.4308	H205823		1	Shaft - equal percentage G* kvs = 160 m³/h	1.4404	
			A2-70	H78776		1	Shaft - equal percentage G* kvs = 250 m³/h	1.4404	
			A2-70	H78807		1	Shaft - equal percentage G* kvs = 400 m³/h	1.4404	
			MS58	H208825		1	Shaft - equal percentage G* kvs = 160 m³/h	1.4404	H159151
			1.4301	H161763		1	Shaft - equal percentage GD* kvs = 250 m³/h	1.4404	H205833
			1.4301	H127391				1.4404	
			1.4301	H161762				1.4404	

Information contained in this document is subject to change without notice and does not represent a commitment on the part of SPX FLOW, Inc.. No part of this document may be reproduced or transmitted in any form or by any means, electronic or mechanical, including photocopying and recording, for any

Spare parts list:

Modulating valve RG4 - DN 150

Diaphragm actuator MAT 3271 or MAT 3277 (Spring: closed or open) - 120, 175, 350, 750cm²

Digital electro-pneumatic positioner

Flow characteristic: linear or equal percentage

Date: 22.06.15 10.01.23
 Name: Trytko Shreshth
 Approved by: Waltenb.

Date: _____
 Name: _____
 Approved by: _____

SPX FLOW

Page 18 of 18

RN 01.170.0

Item	Quantity	Description	Material	Part no.	Item	Quantity	Description	Material	Part no.
33	1	Seat seal kvs = 160 m ³ /h	EPDM	H77589					
			HNBR	H172183					
			FPM	H77588					
			VMQ	H77587					
34	1	Valve seat metal sealing kvs = 160 m ³ /h kvs = 250 m ³ /h kvs = 400 m ³ /h	EPDM	H77614					
			HNBR	H172189					
			FPM	H77613					
			VMQ	H77612					
34.1	1	Valve seat kvs = 160 m ³ /h kvs = 250 m ³ /h kvs = 400 m ³ /h	1.4404						
			1.4404						
			1.4404	H320358					
			1.4404	H205812					
35	1	Valve seat with punched cage (noise reduction) kvs = 160 m ³ /h kvs = 250 m ³ /h kvs = 400 m ³ /h	1.4404	H205815					
			1.4404						
			1.4404						
36	1	Pneumatic actuator MAT 3277 + TROVIS3730-1, IP3730-X, IP3725 see RN 01.170.13-1, RN 01.170.13-2 Pneumatic actuator MAT 3271 + IP763 see RN 01.170.13-3							
		Item 3, 8, 10, 11, 12, 33 available as complete seal kits only							
	1	Seal kit	EPDM	H207289					
	1	Seal kit	HNBR	H338020					
	1	Seal kit	FPM	H338018					
	1	Seal kit	VMQ	H338019					
*	*	LD* = linear flow characteristic, soft sealing							
*	*	GD* = equal percentage flow characteristic, soft sealing							

Information contained in this document is subject to change without notice and does not represent a commitment on the part of SPX FLOW, Inc.. No part of this document may be reproduced or transmitted in any form or by any means, electronic or mechanical, including photocopying and recording, for any

Spare parts list:

Modulating valve RG4 - 1" - 4"

Diaphragm actuator MAT 3271 or MAT 3277 (Spring: closed or open) - 120, 175, 350, 750cm²

Digital electro-pneumatic positioner

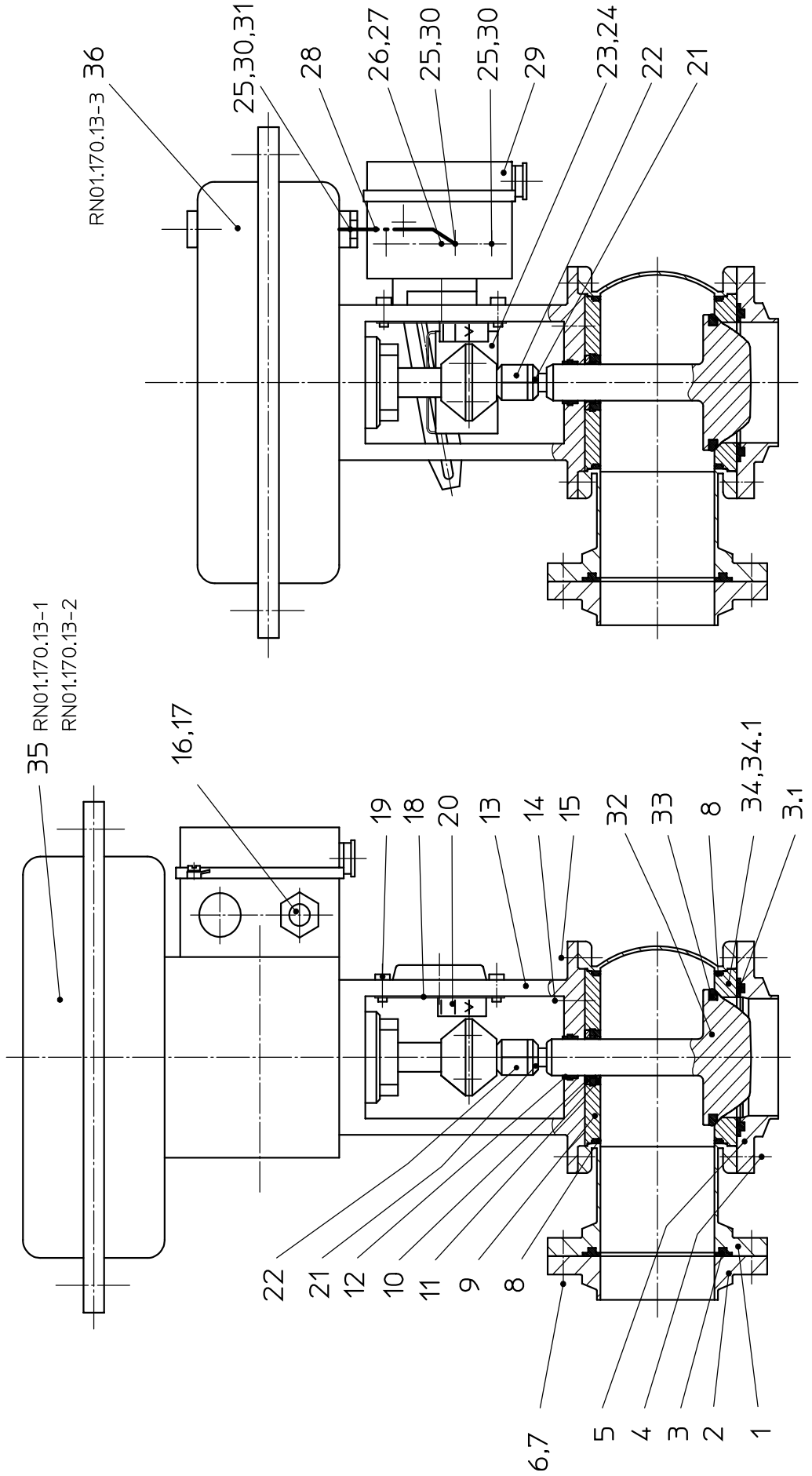
Flow characteristic: linear or equal percentage

Date: 22.06.15 14.11.22
 Name: Trytko Shreshth
 Approved by: Waitenb.

Page 1 of 15

SPX FLOW

RN 01.170.1



Information contained in this document is subject to change without notice and does not represent a commitment on the part of SPX FLOW, Inc.. No part of this document may be reproduced or transmitted in any form or by any means, electronic or mechanical, including photocopying and recording, for any

Spare parts list:

Modulating valve RG4 - 1"

Diaphragm actuator MAT 3271 or MAT 3277 (Spring: closed or open) - 120, 175, 350, 750cm²

Digital electro-pneumatic positioner

Flow characteristic: linear or equal percentage

Date: 22.06.15 14.11.22
 Name: Trytko Shreshth
 Approved by: Waltenb.
 Date: _____
 Name: _____
 Approved by: _____

SPX FLOW

Page 2 of 15

RN 01.170.1

Item	Quantity	Description	Material	Part no.	Item	Quantity	Description	Material	Part no.
1	1	Housing	1.4404	H158856	19	2	Pan head screw M5x12	DIN EN ISO 1580	1.4301
2	1	Flange	1.4404	H158843	20	1	Stroke indicator	Stroke: 15mm	1.4301
3	1	Seal	EPDM	H77284	21	1	Counter nut	M10x1 , Stroke: 15mm	1.4301
					22	1	Coupling top small	for actuator 120	1.4301
3.1	1	Seal	FPM	H77283	22	1	Coupling top big	for actuator 175-750	1.4301
					23	1	Driving plate complete		1.4301
4	4	Hex. screw M8x20	A2-70	H78776	24	1	Angle bracket	for kvs 16-160	1.4301
					25	3	Elbow union	G1/8" Ø6mm slewable	H208825
5	1	Flange	1.4404	H147044	26	1	Hex. screw M8x70	DIN EN 24014	A2-70
					27	1	Washer	DIN 125 A l=8,4	H79594
6	4	Hex. screw M8x28	A2-70	H78778	28	1	Hose	6x1x500	H16541
					29	1	Electro-pneumatic positioner IP763	without accessory: lever l, spring l (stroke 15mm)	H66919
7	4	Hex. nut M8	A2	H79281	30	3	Red. nipple G1/4" G1/8"	for actuator 120-175	MS58
					31	2	Red. nipple G1/4" G1/8"	for actuator 350-750	MS58
8	2	Housing seal	EPDM	H77439	31	1	Red. nipple G3/4" G1/8"	for actuator 350-750	MS58
					9	1	Housing cover	kvs = 0,25 m ³ /h	1.4404
9	1	Shaft seal	Turcon MF6	H323082				kvs = 0,4 m ³ /h	1.4404
					10	1	Shaft seal	SW4-Ø20mm	1.4404
11	1	Seat seal	EPDM	H77442				kvs = 0,63 m ³ /h	1.4404
					32	1	Shaft - linear L*	kvs = 1,0 m ³ /h	1.4404
12	1	Bushing 20x9	PTFE + 25% carbon	H207154				kvs = 1,6 m ³ /h	1.4404
					13	1	Yoke	kvs = 2,5 m ³ /h	
14	1	Hex. screw M6x16	A2-70	H78751				kvs = 4,0 m ³ /h	
					15	4	Hex. screw M8x16	DIN EN 24017	
16	1	Elbow union	A2-70	H78772				kvs = 6,3 m ³ /h	
					17	1	Red. nipple G1/4" G1/8"	G1/8" Ø6mm slewable	
17	1	Red. nipple G1/4" G1/8"	MS58	H17018				kvs = 10 m ³ /h	
					18	1	Mounting plate for stroke indicator		

Information contained in this document is subject to change without notice and does not represent a commitment on the part of SPX FLOW, Inc.. No part of this document may be reproduced or transmitted in any form or by any means, electronic or mechanical, including photocopying and recording, for any

Spare parts list:

Modulating valve RG4 - 1"

Diaphragm actuator MAT 3271 or MAT 3277 (Spring: closed or open) - 120, 175, 350, 750cm²

Digital electro-pneumatic positioner

Flow characteristic: linear or equal percentage

Date: 22.06.15 14.11.22

Name: Trytko

Approved by: Waltenb.

Page 3 of 15

RN 01.170.1

SPX FLOW

Item	Quantity	Description	Material	Part no.	Item	Quantity	Description	Material	Part no.
		kvs = 0,25 m ³ /h							
		kvs = 0,4 m ³ /h	1.4404	H331801			kvs = 0,25 m ³ /h	1.4404	H160650
		kvs = 0,63 m ³ /h	1.4404	H179617			kvs = 0,4 m ³ /h		
		kvs = 1,0 m ³ /h	1.4404	H179618			kvs = 0,63 m ³ /h	1.4404	H126717
		kvs = 1,6 m ³ /h	1.4404	H179620			kvs = 1,0 m ³ /h		
		kvs = 2,5 m ³ /h	1.4404	H159476			kvs = 1,6 m ³ /h		
		kvs = 4,0 m ³ /h	1.4404	H159477			kvs = 2,5 m ³ /h	1.4404	H152848
		kvs = 6,3 m ³ /h	1.4404	H159478			kvs = 4,0 m ³ /h		
		kvs = 10 m ³ /h	1.4404	H159479			kvs = 6,3 m ³ /h		
		kvs = 0,25 m ³ /h	1.4404	H160657	34		kvs = 10 m ³ /h		
		kvs = 0,4 m ³ /h	1.4404	H159245			kvs = 0,25 m ³ /h	1.4404	H317103
		kvs = 0,63 m ³ /h	1.4404	H159244			kvs = 0,4 m ³ /h		
		kvs = 1,0 m ³ /h	1.4404	H159243			kvs = 0,63 m ³ /h	1.4404	H179615
		kvs = 1,6 m ³ /h	1.4404	H159140			kvs = 1,0 m ³ /h		
		kvs = 2,5 m ³ /h					kvs = 1,6 m ³ /h		
		kvs = 4,0 m ³ /h	1.4404	H326212			kvs = 2,5 m ³ /h	1.4404	H126716
		kvs = 6,3 m ³ /h	1.4404	H207739			kvs = 4,0 m ³ /h		
		kvs = 10 m ³ /h	1.4404	H207038			kvs = 6,3 m ³ /h	1.4404	H33476
		kvs = 0,25 m ³ /h					kvs = 10 m ³ /h		
		kvs = 0,4 m ³ /h	1.4404	H320892			kvs = 0,25 m ³ /h		
		kvs = 0,63 m ³ /h	1.4404	H312777			kvs = 0,4 m ³ /h		
		kvs = 1,0 m ³ /h	1.4404	H208609			kvs = 0,63 m ³ /h		
		kvs = 1,6 m ³ /h	1.4404	H311745			kvs = 1,0 m ³ /h	1.4404	H179830
		kvs = 2,5 m ³ /h	1.4404	H159141			kvs = 1,6 m ³ /h		
		kvs = 4,0 m ³ /h	1.4404	H159142			kvs = 2,5 m ³ /h	1.4404	H146941
		kvs = 6,3 m ³ /h	1.4404	H159143			kvs = 4,0 m ³ /h		
		kvs = 10 m ³ /h	1.4404	H159144			kvs = 6,3 m ³ /h	1.4404	H146768
			EPDM	H77445			kvs = 10 m ³ /h		
			HNBR	H172173					
			FPM	H77444					
			VMQ	H77443					
32	1	Shaft - equal percentage G*				34.1	1	Valve seat with punched cage (noise reduction)	
33	1	Seat seal				35	1	Pneumatic actuator MAT 3277 + TROVIS3730-1, IP3730-X, IP3725 see RN 01.170.13-1, RN 01.170.13-2	
						36	1	Pneumatic actuator MAT 3271 + IP763 see RN 01.170.13-3	

Information contained in this document is subject to change without notice and does not represent a commitment on the part of SPX FLOW, Inc.. No part of this document may be reproduced or transmitted in any form or by any means, electronic or mechanical, including photocopying and recording, for any

Item		Quantity	Description	Material	Part no.	Item	Quantity	Description	Material	Part no.	
			Item 3, 8, 10, 11, 12, 33 available as complete seal kits only Seal kit Seal kit Seal kit Seal kit	EPDM	H174415						
				HNBR	H315820						
				FPM	H325392						
				VMQ	H325393						
		*		LD* = linear flow characteristic, soft sealing							
		*	GD* = equal percentage flow characteristic, soft sealing								

Spare parts list:				SPX FLOW		
Modulating valve RG4 - 1"		Date: 22.06.15	14.11.22	Page 4 of 15		
Diaphragm actuator MAT 3271 or MAT 3277 (Spring: closed or open) - 120, 175, 350, 750cm²		Name: Trytko	Waltenb.	RN 01.170.1		
Digital electro-pneumatic positioner		Approved by:				
Flow characteristic: linear or equal percentage		Date:				
		Name:				
		Approved by:				
		Date:				
		Name:				
		Approved by:				

Information contained in this document is subject to change without notice and does not represent a commitment on the part of SPX FLOW, Inc.. No part of this document may be reproduced or transmitted in any form or by any means, electronic or mechanical, including photocopying and recording, for any

Spare parts list:

Modulating valve RG4 - 1,5"

Diaphragm actuator MAT 3271 or MAT 3277 (Spring: closed or open) - 120, 175, 350, 750cm²

Digital electro-pneumatic positioner

Flow characteristic: linear or equal percentage

Date: 22.06.15 14.11.22
 Name: Trytko Shreshth
 Approved by: Waltenb.
 Date: _____
 Name: _____
 Approved by: _____

SPX FLOW

Page 5 of 15

RN 01.170.1

Item	Quantity	Description	Material	Part no.	Item	Quantity	Description	Material	Part no.	
1	1	Housing	1.4404	H158857	19	2	Pan head screw M5x12	DIN EN ISO 1580	1.4301	
2	1	Flange	1.4404	H316472	20	1	Stroke indicator	Stroke: 15mm	1.4301	
3	1	Seal	1.4404	H158846	21	1	Counter nut	M10x1, Stroke: 15mm	1.4301	
			EPDM	H77296	22	1	Coupling top small	for actuator 120	1.4301	
			HNBR	H172141	22	1	Coupling top big	for actuator 175-750	1.4301	
3.1	1	Seal	FPM	H77295	23	1	Driving plate complete		1.4301	
			VMQ	H77294	24	1	Angle bracket	for kvs 16-160	1.4301	
			EPDM	H77292	25	3	Elbow union	G1/8" Ø6mm slewable	H208825	
4	4	Hex. screw M8x20	HNBR	H172131	26	1	Hex. screw M8x70	DIN EN 24014	A2-70	
			FPM	H77291	27	1	Washer	DIN 125 A l=8,4	H79594	
			VMQ	H77290	28	1	Hose	6x1x500	H16541	
5	1	Flange	1.4404	H147046	29	1	Electro-pneumatic positioner IP763	without accessory: lever l, spring l (stroke 15mm)	Aluminium die casted	
6	4	Hex. screw M8x28	A2-70	H78778	30	3	Red. nipple G1/4" G1/8"	for actuator 120-175	MS58	
7	4	Hex. nut M8	A2	H79281	2	2	Red. nipple G1/4" G1/8"	for actuator 350-750	MS58	
8	2	Housing seal	EPDM	H77464	31	1	Red. nipple G3/4" G1/8"	for actuator 350-750	MS58	
			HNBR	H170018				kvs = 0,63 m³/h	1.4404	
			FPM	H77463				kvs = 1,0 m³/h	1.4404	
9	1	Housing cover	1.4404	H156409				kvs = 1,6 m³/h	1.4404	
10	1	Shaft seal	Turcon MF6	H323082				kvs = 2,5 m³/h	1.4404	
11	1	Seat seal	EPDM	H77442	32	1	Shaft - linear L*		kvs = 4,0 m³/h	
			HNBR	H170176				kvs = 6,3 m³/h		
			FPM	H77441				kvs = 10 m³/h		
12	1	Bushing 20x9	PTFE + 25% carbon	H207154				kvs = 16 m³/h	1.4404	
13	1	Yoke	1.4308	H157565				kvs = 25 m³/h	1.4404	
14	1	Hex. screw M8x16	A2-70	H78772						
15	4	Hex. screw M8x16	A2-70	H78772						
16	1	Elbow union	G1/8" Ø6mm slewable	H208825						
17	1	Red. nipple G1/4" G1/8"	for actuator 120-750	H17018						
18	1	Mounting plate for stroke indicator	1.4301	H161763						

Information contained in this document is subject to change without notice and does not represent a commitment on the part of SPX FLOW, Inc.. No part of this document may be reproduced or transmitted in any form or by any means, electronic or mechanical, including photocopying and recording, for any

Spare parts list:		SPX FLOW			
Diaphragm actuator MAT 3271 or MAT 3277 (Spring: closed or open) - 120, 175, 350, 750cm ²		Date: 22.06.15	14.11.22		
Modulating valve RG4 - 1,5"		Name: Trytko	Waltenb.		
Digital electro-pneumatic positioner		Approved by:			
Flow characteristic: linear or equal percentage		Date:	Page 6 of 15		
		Name:	RN 01.170.1		
		Approved by:			
Item	Quantity	Description	Material	Part no.	
33	1	Seat seal	1.4404	EPDM	H77470
			1.4404	HNBR	H172175
			1.4404	FPM	H77469
			1.4404	VMQ	H77468
			1.4404	1.4404	H126763
			kvs = 0,63 m ³ /h		
			kvs = 1,0 m ³ /h		
			kvs = 1,6 m ³ /h		
			kvs = 2,5 m ³ /h		
			kvs = 4,0 m ³ /h		
34	1	Valve seat metal sealing	1.4404	1.4404	H312776
			1.4404	1.4404	H126762
			1.4404	1.4404	H33479
			1.4404	1.4404	H33480
			kvs = 0,63 m ³ /h		
			kvs = 1,0 m ³ /h		
			kvs = 1,6 m ³ /h		
			kvs = 2,5 m ³ /h		
			kvs = 4,0 m ³ /h		
			kvs = 6,3 m ³ /h		
34.1	1	Valve seat with punched cage (noise reduction)	1.4404	1.4404	H144862
			1.4404	1.4404	H141520
			1.4404	1.4404	H148260
			kvs = 0,63 m ³ /h		
			kvs = 1,0 m ³ /h		
			kvs = 1,6 m ³ /h		
			kvs = 2,5 m ³ /h		
			kvs = 4,0 m ³ /h		
			kvs = 6,3 m ³ /h		
			kvs = 10 m ³ /h		
32	1	Shaft - equal percentage G*	1.4404	EPDM	H77445
			1.4404	HNBR	H172173
			1.4404	FPM	H77444
			1.4404	VMQ	H77443
			1.4404	1.4404	
			kvs = 0,63 m ³ /h		
			kvs = 1,0 m ³ /h		
			kvs = 1,6 m ³ /h		
			kvs = 2,5 m ³ /h		
			kvs = 4,0 m ³ /h		
33	1	Shaft - equal percentage GD*	1.4404	EPDM	H77445
			1.4404	HNBR	H172173
			1.4404	FPM	H77444
			1.4404	VMQ	H77443
			1.4404	1.4404	
			kvs = 0,63 m ³ /h - kvs = 1,0 m ³ /h		
			kvs = 1,6 m ³ /h - kvs = 2,5 m ³ /h		
			kvs = 4,0 m ³ /h - kvs = 6,3 m ³ /h		
			kvs = 10 m ³ /h		
			kvs = 16 m ³ /h		

Information contained in this document is subject to change without notice and does not represent a commitment on the part of SPX FLOW, Inc.. No part of this document may be reproduced or transmitted in any form or by any means, electronic or mechanical, including photocopying and recording, for any

Spare parts list:			SPX FLOW						
Diaphragm actuator MAT 3271 or MAT 3277 (Spring: closed or open) - 120, 175, 350, 750cm ² Digital electro-pneumatic positioner Flow characteristic: linear or equal percentage									
Item	Quantity	Description	Material	Part no.	Item	Quantity	Description	Material	Part no.
35	1	Pneumatic actuator MAT 3277 + TROVIS3730-1, IP3730-X, IP3725 see RN 01.170.13-1, RN 01.170.13-2							
36	1	Pneumatic actuator MAT 3271 + IP763 see RN 01.170.13-3							
		Item 3, 8, 10, 11, 12, 33 available as complete seal kits only							
	1	Seal kit	EPDM	H174416					
	1	Seal kit	HNBR	H320185					
	1	Seal kit	FPM	H319788					
	1	Seal kit	VMQ	H325456					
	*	LD* = linear flow characteristic, soft sealing							
	*	GD* = equal percentage flow characteristic, soft sealing							

Date: 22.06.15 14.11.22
 Name: Trytko
 Approved by: Waltenb.
 Date: _____
 Name: _____
 Approved by: _____

Page 7 of 15
RN 01.170.1

Information contained in this document is subject to change without notice and does not represent a commitment on the part of SPX FLOW, Inc.. No part of this document may be reproduced or transmitted in any form or by any means, electronic or mechanical, including photocopying and recording, for any

Spare parts list:

Modulating valve RG4 - 2"

Diaphragm actuator MAT 3271 or MAT 3277 (Spring: closed or open) - 120, 175, 350, 750cm²

Digital electro-pneumatic positioner

Flow characteristic: linear or equal percentage

Date: 22.06.15 14.11.22
 Name: Trytko Shreshth
 Approved by: Waltenb.
 Date: _____
 Name: _____
 Approved by: _____

SPX FLOW

Page 8 of 15

RN 01.170.1

Item	Quantity	Description	Material	Part no.	Item	Quantity	Description	Material	Part no.	
1	1	Housing	1.4404	H158858	19	2	Pan head screw M5x12	1.4301	H127391	
2	1	Flange	1.4404	H178540	20	1	Stroke indicator	1.4301	H161761	
3	1	Seal	1.4404	H158847	21	1	Counter nut	1.4301	H162483	
			EPDM	H77307	22	1	Coupling top small	1.4301	H162484	
			HNBR	H172142				1.4301	H162485	
3.1	1	Seal	FPM	H77306	23	1	Driving plate complete	1.4301	H162486	
			VMQ	H77305	24	1	Angle bracket	1.4301	H162487	
			EPDM	H77303	25	3	Elbow union	1.4301	H208825	
4	4	Hex. screw M8x20	HNBR	H172132	26	1	Hex. screw M8x70	A2-70	H78803	
			FPM	H77302	27	1	Washer	A2-70	H79594	
			VMQ	H77301	28	1	Hose		H16541	
5	1	Flange	1.4404	H147047	29	1	Electro-pneumatic positioner IP763	Aluminium die casted	H66919	
6	4	Hex. screw M8x28	A2-70	H78778	30	3	Red. nipple G1/4" G1/8"	MS58	H17018	
			A2	H79281				MS58	H17018	
8	2	Housing seal	EPDM	H77488	31	1	Red. nipple G3/4" G1/8"	MS58	H17019	
			HNBR	H168714				kvs = 4.0 m ³ /h		
			FPM	H77487				kvs = 6.3 m ³ /h		
9	1	Housing cover	1.4404	H148194	32	1	Shaft - linear L*	kvs = 10 m ³ /h		
10	1	Shaft seal	Turcon MF6	H323082				kvs = 16 m ³ /h	1.4404	H169153
			EPDM	H77442				kvs = 25 m ³ /h	1.4404	H175757
11	1	Seat seal	HNBR	H170176				kvs = 40 m ³ /h	1.4404	H176315
			FPM	H77441				kvs = 4.0 m ³ /h	1.4404	H159477
12	1	Bushing 20x9	PTFE + 25% carbon	H207154	kvs = 6.3 m ³ /h	1.4404	H159478			
13	1	Yoke	1.4308	H157567	33	1	Shaft - linear LD*	kvs = 10 m ³ /h		
14	1	Hex. screw M8x16	A2-70	H78772				kvs = 16 m ³ /h	1.4404	H159479
15	4	Hex. screw M8x16	A2-70	H78772				kvs = 25 m ³ /h	1.4404	H159480
16	1	Elbow union	MS58	H208825				kvs = 40 m ³ /h	1.4404	H149481
17	1	Red. nipple G1/4" G1/8" for actuator 120-750	1.4301	H17018				kvs = 40 m ³ /h	1.4404	H159482
18	1	Mounting plate for stroke indicator	1.4301	H161763						

Information contained in this document is subject to change without notice and does not represent a commitment on the part of SPX FLOW, Inc.. No part of this document may be reproduced or transmitted in any form or by any means, electronic or mechanical, including photocopying and recording, for any

Spare parts list:

Modulating valve RG4 - 2"

Diaphragm actuator MAT 3271 or MAT 3277 (Spring: closed or open) - 120, 175, 350, 750cm²

Digital electro-pneumatic positioner

Flow characteristic: linear or equal percentage

Date: 22.06.15 14.11.22

Name: Trytko

Approved by: Waltenb.

Page 9 of 15

Approved by: RN 01.170.1

SPX FLOW

Item	Quantity	Description	Material	Part no.	Item	Quantity	Description	Material	Part no.
32	1	Shaft - equal percentage G*	kvs = 4,0 m ³ /h	H326212	34	1	Valve seat metal sealing	1.4404	H326212
			kvs = 6,3 m ³ /h	H207739				1.4404	H207739
			kvs = 10 m ³ /h	H207038				1.4404	H207038
			kvs = 16 m ³ /h	H331585				1.4404	H331585
			kvs = 25 m ³ /h	H163545				1.4404	H163545
33	1	Shaft - equal percentage GD*	kvs = 4,0 m ³ /h	H159142	35	1	Valve seat with punched cage (noise reduction)	1.4404	H159142
			kvs = 6,3 m ³ /h	H159143				1.4404	H159143
			kvs = 10 m ³ /h	H159144				1.4404	H159144
			kvs = 16 m ³ /h	H159145				1.4404	H159145
			kvs = 25 m ³ /h	H159146				1.4404	H159146
34	1	Valve seat	kvs = 4,0 m ³ /h	H159147	36	1	Pneumatic actuator MAT 3271 + IP763 see RN 01.170.13-3	1.4404	H159147
			kvs = 6,3 m ³ /h	H172173				1.4404	H172173
			kvs = 10 m ³ /h	H77444				1.4404	H77444
			kvs = 16 m ³ /h	H77443				1.4404	H77443
			kvs = 25 m ³ /h	H77470				1.4404	H77470
35	1	Seat seal	kvs = 4,0 m ³ /h	H77445	37	1	Pneumatic actuator MAT 3277 + TROVIS3730-1, IP3730-X, IP3725 see RN 01.170.13-1, RN 01.170.13-2	EPDM	H77445
			kvs = 6,3 m ³ /h	H172173				HNBR	H172173
			kvs = 10 m ³ /h	H77444				FPM	H77444
			kvs = 16 m ³ /h	H77443				VMQ	H77443
			kvs = 25 m ³ /h	H77470				EPDM	H77470
36	1	Seat seal	kvs = 16 m ³ /h	H172175	38	1	Pneumatic actuator MAT 3271 + IP763 see RN 01.170.13-3	HNBR	H172175
			kvs = 25 m ³ /h	H77469				FPM	H77469
				H77468				VMQ	H77468
				H77494				EPDM	H77494
				H168709				HNBR	H168709
37	1	Seat seal	kvs = 40 m ³ /h	H77493	39	1	Pneumatic actuator MAT 3271 + IP763 see RN 01.170.13-3	FPM	H77493
				H77492				VMQ	H77492
Item 3, 8, 10, 11, 12, 33 available as complete seal kits only									
	1	Seal kit				1	Seal kit	EPDM	H174417
	1	Seal kit				1	Seal kit	HNBR	H316681
	1	Seal kit				1	Seal kit	FPM	H321321
	1	Seal kit				1	Seal kit	VMQ	H325426
	*					*			
	*					*			

LD* = linear flow characteristic, soft sealing

GD* = equal percentage flow characteristic, soft sealing

Information contained in this document is subject to change without notice and does not represent a commitment on the part of SPX FLOW, Inc.. No part of this document may be reproduced or transmitted in any form or by any means, electronic or mechanical, including photocopying and recording, for any

Spare parts list:

Modulating valve RG4 - 2,5"

Diaphragm actuator MAT 3271 or MAT 3277 (Spring: closed or open) - 120, 175, 350, 750cm²

Digital electro-pneumatic positioner
Flow characteristic: linear or equal percentage

Date: 22.06.15 14.11.22
Name: Trytko Shreshth
Approved by: Waltenb.

Date: _____ of _____
Name: _____
Approved by: _____

SPX FLOW

Page 10 of 15
RN 01.170.1

Item	Quantity	Description	Material	Part no.	Item	Quantity	Description	Material	Part no.
1	1	Housing	1.4404	H158859	19	2	Pan head screw M5x12	1.4301	H127391
2	1	Flange	1.4404	H325834	20	1	Stroke indicator	1.4301	H161761
3	1	Seal	1.4404	H158848	21	1	Counter nut	1.4301	H162483
			EPDM	H77318	22	1	Coupling top small	1.4301	H162484
			HNBR	H172143	23	1	Coupling top big	1.4301	H162485
			FPM	H77317	24	1	Driving plate complete	1.4301	H162486
			VMQ	H77316	25	3	Angle bracket	1.4301	H162487
3.1	1	Seal	1.4404	H172133	26	1	Elbow union	1.4301	H208825
			EPDM	H77314	27	1	Hex. screw M8x70	A2-70	H78803
			HNBR	H77312	28	1	Hex. screw M8x70	A2-70	H79594
			FPM	H77313	29	1	Washer	A2-70	H16541
			VMQ	H77312	30	3	Hose	6x1x500	
4	4	Hex. screw M8x20	A2-70	H78776	31	1	Electro-pneumatic positioner IP763	Aluminium die casted	H66919
5	1	Flange	1.4404	H147048			without accessory: lever I, spring I (stroke 15mm)		
6	4	Hex. screw M8x28	A2-70	H78778			for actuator 120-175	MS58	H17018
7	4	Hex. nut M8	A2	H79281			for actuator 350-750	MS58	H17018
8	2	Housing seal	EPDM	H77512			for actuator 350-750	MS58	H17019
9	1	Housing cover	HNBR	H168759		1	Shaft - linear L*	1.4404	H169153
10	1	Shaft seal	FPM	H77511				1.4404	H175757
			1.4404	H151968				1.4404	H176315
			Turcon MF6	H323082				1.4404	
11	1	Seat seal	EPDM	H77442		1	Shaft - linear LD*	1.4404	H159480
			HNBR	H170176				1.4404	H159481
			FPM	H77441				1.4404	H159482
			VMQ	H77440				1.4404	H321259
12	1	Bushing 20x9	PTFE + 25% carbon	H207154		32	Shaft - equal percentage G*	1.4404	H331585
13	1	Yoke	1.4308	H157568				1.4404	H163545
14	1	Hex. screw M8x16	A2-70	H78772				1.4404	H333827
15	4	Hex. screw M8x16	A2-70	H78772				1.4404	H159145
16	1	Elbow union	MS58	H208825				1.4404	H159146
17	1	Red. nipple G1/4" G1/8" for actuator 120-750	MS58	H17018				1.4404	H159147
18	1	Mounting plate for stroke indicator	1.4301	H161763				1.4404	H321260

Information contained in this document is subject to change without notice and does not represent a commitment on the part of SPX FLOW, Inc.. No part of this document may be reproduced or transmitted in any form or by any means, electronic or mechanical, including photocopying and recording, for any

Spare parts list:

Modulating valve RG4 - 3"

Diaphragm actuator MAT 3271 or MAT 3277 (Spring: closed or open) - 120, 175, 350, 750cm²

**Digital electro-pneumatic positioner
Flow characteristic: linear or equal percentage**

Date: 22.06.15 14.11.22
Name: Trytko Shreshth
Approved by: Waltenb.

Date: _____ of 15
Name: _____
Approved by: **RN 01.170.1**

SPX FLOW

Item	Quantity	Description	Material	Part no.	Item	Quantity	Description	Material	Part no.
1	1	Housing	1.4404	H158860	19	2	Pan head screw M5x12	DIN EN ISO 1580	1.4301
2	1	Flange	1.4404	H314407	20	1	Stroke indicator	Stroke: 15mm	1.4301
3	1	Seal	1.4404	H158849	21	1	Counter nut	M10x1 , Stroke: 15mm	1.4301
			EPDM	H77332	22	1	Coupling top small	for actuator 120	1.4301
			HNBR	H172144	22	1	Coupling top big	for actuator 175-750	1.4301
3.1	1	Seal	FPM	H77331	23	1	Driving plate complete		1.4301
			VMQ	H77330	24	1	Angle bracket	for kvs 16-160	1.4301
			EPDM	H77332	25	3	Elbow union	G1/8" Ø6mm slewable	H208825
4	4	Hex. screw M8x20	HNBR	H172144	26	1	Hex. screw M8x70	DIN EN 24014	A2-70
			FPM	H77331	27	1	Washer	DIN 125 A l=8,4	H79594
			VMQ	H77330	28	1	Hose	6x1x500	H16541
4	4	Hex. screw M8x20	A2-70	H78776	29	1	Electro-pneumatic positioner IP763	Aluminium die casted	
5	1	Flange	1.4404	H158889	30	3	Red. nipple G1/4" G1/8"	without accessory: lever l, spring l (stroke 15mm)	MS58
6	8	Hex. screw M8x28	A2-70	H78778		2	Red. nipple G1/4" G1/8"	for actuator 120-175	MS58
7	8	Hex. nut M8	A2	H79281		1	Red. nipple G3/4" G1/8"	for actuator 350-750	MS58
8	2	Housing seal	EPDM	H77558	31	1		kvs = 16 m³/h	1.4404
			HNBR	H170013				kvs = 25 m³/h	1.4404
			FPM	H77557				kvs = 40 m³/h	1.4404
9	1	Housing cover	1.4404	H151895	1	1	Shaft - linear L*	kvs = 63 m³/h	1.4404
10	1	Shaft seal	Turcon MF6	H323082				kvs = 80 m³/h	1.4404
11	1	Seat seal	EPDM	H77442				32	1
			HNBR	H170176	kvs = 25 m³/h	1.4404			
			FPM	H77441	kvs = 40 m³/h	1.4404			
12	1	Bushing 20x9	VMQ	H77440	32	1	Shaft - linear LD*	kvs = 63 m³/h	1.4404
			PTFE + 25% carbon	H207154				kvs = 80 m³/h	1.4404
			1.4308	H159375				kvs = 16 m³/h	1.4404
13	1	Yoke	A2-70	H78772	1	1	Shaft - equal percentage G*	kvs = 25 m³/h	1.4404
14	1	Hex. screw M8x16	A2-70	H78772				kvs = 40 m³/h	1.4404
15	4	Hex. screw M8x16	A2-70	H78772				kvs = 63 m³/h	1.4404
16	1	Elbow union	G1/8" Ø6mm slewable	H208825	1	1	Shaft - equal percentage G*	kvs = 80 m³/h	1.4404
17	1	Red. nipple G1/4" G1/8"	for actuator 120-750	H17018				kvs = 16 m³/h	1.4404
18	1	Mounting plate for stroke indicator	MS58	H161763				kvs = 25 m³/h	1.4404
			1.4301					kvs = 40 m³/h	1.4404
								kvs = 63 m³/h	1.4404
								kvs = 80 m³/h	1.4404

Information contained in this document is subject to change without notice and does not represent a commitment on the part of SPX FLOW, Inc.. No part of this document may be reproduced or transmitted in any form or by any means, electronic or mechanical, including photocopying and recording, for any

Spare parts list:

Modulating valve RG4 - 3"

**Diaphragm actuator MAT 3271 or MAT 3277 (Spring: closed or open) - 120, 175, 350, 750cm²
Digital electro-pneumatic positioner
Flow characteristic: linear or equal percentage**

		Date: 22.06.15	14.11.22			SPX FLOW			
		Name: Trytko	Waltenb.						
		Approved by:				Page 13 of 15			
		Date:				RN 01.170.1			
		Name:							
		Approved by:							
Item	Quantity	Description	Material	Part no.	Item	Quantity	Description	Material	Part no.
32	1	kvs = 16 m ³ /h	1.4404	H159145	34.1	1	kvs = 16 m ³ /h	1.4404	
		kvs = 25 m ³ /h	1.4404	H159146			kvs = 25 m ³ /h		
		kvs = 40 m ³ /h	1.4404	H159147			kvs = 40 m ³ /h		
		kvs = 63 m ³ /h	1.4404	H159148			kvs = 63 m ³ /h		
		kvs = 80 m ³ /h	1.4404	H159162			kvs = 80 m ³ /h		
33	1	kvs = 16 m ³ /h	EPDM	H77470	35	1	Pneumatic actuator MAT 3277 + TROVIS3730-1, IP3730-X, IP3725 see RN 01.170.13-1, RN 01.170.13-2	1.4404	
		kvs = 25 m ³ /h	HNBR	H172175					
		kvs = 40 m ³ /h	FPM	H77469					
		kvs = 63 m ³ /h	VMQ	H77468					
		kvs = 80 m ³ /h	EPDM	H77494					
34	1	kvs = 16 m ³ /h	EPDM	H168709	36	1	Pneumatic actuator MAT 3271 + IP763 see RN 01.170.13-3	1.4404	
		kvs = 25 m ³ /h	HNBR	H77493					
		kvs = 40 m ³ /h	FPM	H77492					
		kvs = 63 m ³ /h	VMQ	H77518					
		kvs = 80 m ³ /h	EPDM	H77516					
							Item 3, 8, 10, 11, 12, 33 available as complete seal kits only		
33	1	Seal kit	EPDM	H174419	1	1	Seal kit	EPDM	H174419
		Seal kit	HNBR	H325403			Seal kit	HNBR	H325403
		Seal kit	FPM	H325402			Seal kit	FPM	H325402
		Seal kit	VMQ	H338001			Seal kit	VMQ	H338001
34	1	Seal kit	EPDM	H77564	*	*	LD* = linear flow characteristic, soft sealing	LD* = linear flow characteristic, soft sealing	
		Seal kit	HNBR	H176688			GD* = equal percentage flow characteristic, soft sealing		
		Seal kit	FPM	H77563					
		Seal kit	VMQ	H77562					
34	1	kvs = 16 m ³ /h							
		kvs = 25 m ³ /h							
		kvs = 40 m ³ /h							
		kvs = 63 m ³ /h							
		kvs = 80 m ³ /h							
34	1	kvs = 16 m ³ /h	1.4404	H332539					
		kvs = 25 m ³ /h							
		kvs = 40 m ³ /h	1.4404	H33511					
		kvs = 63 m ³ /h	1.4404	H147062					
		kvs = 80 m ³ /h	1.4404	H33512					

Information contained in this document is subject to change without notice and does not represent a commitment on the part of SPX FLOW, Inc.. No part of this document may be reproduced or transmitted in any form or by any means, electronic or mechanical, including photocopying and recording, for any

Spare parts list:

Modulating valve RG4 - 4"

Diaphragm actuator MAT 3271 or MAT 3277 (Spring: closed or open) - 120, 175, 350, 750cm²

Digital electro-pneumatic positioner

Flow characteristic: linear or equal percentage

Date: 22.06.15 14.11.22
 Name: Trytko Shreshth
 Approved by: Waltenb.

Date: _____
 Name: _____
 Approved by: _____

SPX FLOW

Page 14 of 15

RN 01.170.1

Item	Quantity	Description	Material	Part no.	Item	Quantity	Description	Material	Part no.
1	1	Housing	1.4404	H158861	19	2	Pan head screw M5x12	1.4301	H127391
2	1	Flange	1.4404	H158850	20	1	Stroke indicator	1.4301	H161761
3	1	Seal	FGX1	H158850	21	1	Counter nut	1.4301	H162483
			FGN1	H77343	22	1	Coupling top small	1.4301	H162484
			FGN1	H172145	23	1	Coupling top big	1.4301	H162485
3.1	1	Seal	FGN1	H77342	24	1	Driving plate complete	1.4301	H162486
			VMQ	H77341	25	1	Angle bracket	1.4301	H162487
			EPDM	H77339	26	3	Elbow union	1.4301	H208825
4	8	Hex. screw M10x20	HNBR	H172135	27	1	Hex. screw M8x70	A2-70	H78803
			FPM	H77338	28	1	Washer	A2-70	H79594
5	1	Flange	VMQ	H77337	29	1	Hose	6x1x500	H16541
6	8	Hex. screw M8x28	A2-70	H78809	30	3	Electro-pneumatic positioner IP763	Aluminium die casted	H66919
7	8	Hex. nut M8	1.4404	H147049	31	1	Red. nipple G1/4" G1/8" for actuator 120-175	MS58	H17018
8	2	Housing seal	A2-70	H78778			Red. nipple G1/4" G1/8" for actuator 350-750	MS58	H17018
9	1	Housing cover	A2	H79281			Red. nipple G3/4" G1/8" for actuator 350-750	MS58	H17019
10	1	Shaft seal	EPDM	H77583	32	1	Shaft - linear L*	kvs = 63 m ³ /h	
11	1	Seat seal	HNBR	H170074			Shaft - linear LD*	kvs = 100 m ³ /h	
12	1	Bushing 20x9	FPM	H77582			Shaft - equal percentage G*	kvs = 160 m ³ /h Stroke: 15mm	
13	1	Yoke	1.4404	H159888	1	1	Shaft - equal percentage GD*	kvs = 160 m ³ /h Stroke: 30mm	
14	1	Hex. screw M8x16	Turcon MF6	H323082			Shaft - equal percentage G*	kvs = 63 m ³ /h	
15	8	Hex. screw M10x16	EPDM	H77442			Shaft - equal percentage GD*	kvs = 100 m ³ /h	
16	1	Elbow union	HNBR	H170176	1	1	Shaft - equal percentage G*	kvs = 160 m ³ /h Stroke: 15mm	
17	1	Red. nipple G1/4" G1/8" for actuator 120-750	FPM	H77441			Shaft - equal percentage G*	kvs = 160 m ³ /h Stroke: 15mm	
18	1	Mounting plate for stroke indicator	VMQ	H77440			Shaft - equal percentage GD*	kvs = 160 m ³ /h Stroke: 30mm	
			PTFE + 25% carbon	H207154	1	1	Shaft - equal percentage G*	kvs = 63 m ³ /h	
			1.4308	H159572			Shaft - equal percentage G*	kvs = 100 m ³ /h	
			A2-70	H78772			Shaft - equal percentage GD*	kvs = 160 m ³ /h Stroke: 15mm	
			A2-70	H78806	1	1	Shaft - equal percentage GD*	kvs = 160 m ³ /h	
			H208825	H17018			Shaft - equal percentage GD*	kvs = 100 m ³ /h	
			H17018	H161763			Shaft - equal percentage GD*	kvs = 160 m ³ /h Stroke: 15mm	
			1.4301	H161763	Shaft - equal percentage GD*	kvs = 160 m ³ /h Stroke: 30mm			

Information contained in this document is subject to change without notice and does not represent a commitment on the part of SPX FLOW, Inc.. No part of this document may be reproduced or transmitted in any form or by any means, electronic or mechanical, including photocopying and recording, for any

Spare parts list:

Modulating valve RG4 - 1" - 4" - 3A

Diaphragm actuator MAT 3271 or MAT 3277 (Spring: closed or open) - 120, 175, 350, 750cm²

Digital electro-pneumatic positioner

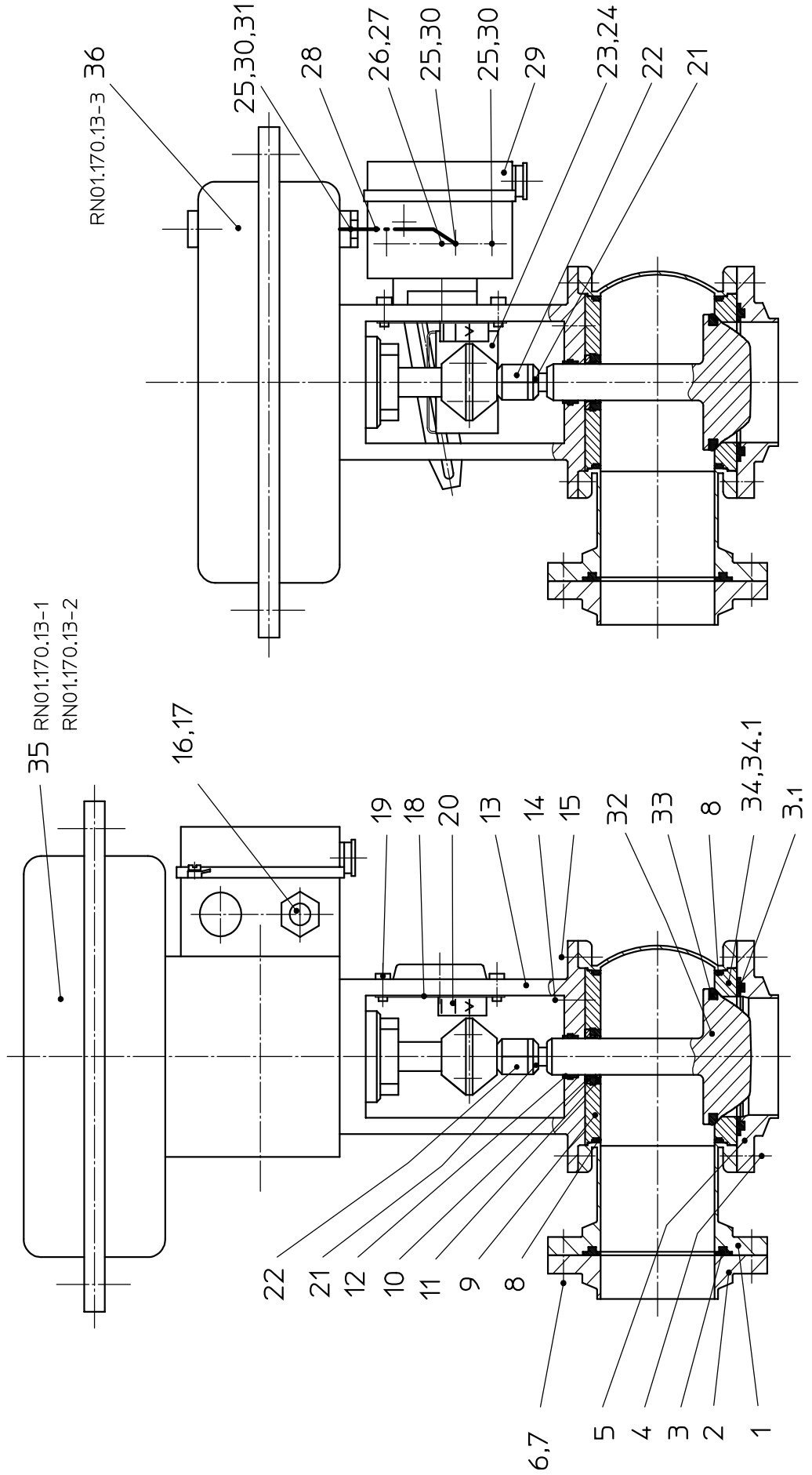
Flow characteristic: linear or equal percentage

Date: 16.09.15 13.01.23
 Name: Trytko Shreshth
 Approved by: Waitenb.

Page 1 of 15

SPX FLOW

RN 01.170.8



Information contained in this document is subject to change without notice and does not represent a commitment on the part of SPX FLOW, Inc.. No part of this document may be reproduced or transmitted in any form or by any means, electronic or mechanical, including photocopying and recording, for any

Spare parts list:

Modulating valve RG4 - 1" - 3A

Diaphragm actuator MAT 3271 or MAT 3277 (Spring: closed or open) - 120, 175, 350, 750cm²

Digital electro-pneumatic positioner
Flow characteristic: linear or equal percentage

Date: 16.09.15 13.01.23
Name: Trytko Shreshth
Approved by: Waltenb.

Page 2 of 15

RN 01.170.8

SPX FLOW

Item	Quantity	Description	Material	Part no.	Item	Quantity	Description	Material	Part no.
1	1	Housing RG41-1FN1 Design 3A-bright finish	1.4404	H321159	18	1	Mounting plate for stroke indicator	1.4301	H161763
2	1	Flange FGX1 Design satin finish	1.4404	H325585	19	2	Pan head screw M5x12 DIN EN ISO 1580	1.4301	H127391
3	1	Seal Design 3A-bright finish	1.4404	H321164	20	1	Stroke indicator Stroke: 15mm	1.4301	H161761
			1.4404	H158843	21	1	Counter nut M10x1, Stroke: 15mm	1.4301	H162483
			EPDM	H77284	22	1	Coupling top small for actuator 120	1.4301	H162484
			HNBR	H172140	22	1	Coupling top big for actuator 175-750	1.4301	H162485
			FPM	H77283	23	1	Driving plate complete	1.4301	H162486
			FPM	H77282	24	1	Angle bracket for kvs 16-160	1.4301	H162487
3.1	1	Seal FGN1	VMQ	H77280	25	3	Elbow union G1/8" Ø6mm slewable		H208825
			EPDM	H172130	26	1	Hex. screw M8x70 DIN EN 24014	A2-70	H78803
			HNBR	H77279	27	1	Washer DIN 125 A l=8.4	A2-70	H79594
			FPM	H77278	28	1	Hose 6x1x500		H16541
4	4	Hex. screw M8x20 DIN EN 24017	A2-70	H78776	29	1	Electro-pneumatic positioner IP763 without accessory: lever I, spring I (stroke 15mm)	Aluminium die casted	H66919
5	1	Flange FNX1 Design 3A-bright finish	1.4404	H321162	30	3	Red. nipple G1/4" G1/8"	MS58	H17018
6	4	Hex. screw M8x28 Design satin finish	1.4404	H147044	2	2	Red. nipple G1/4" G1/8"	MS58	H17018
7	4	Hex. nut M8 DIN EN 24017	A2-70	H78778	1	1	Red. nipple G3/4" G1/8"	MS58	H17019
8	2	Housing seal DIN EN 24032	A2	H79281			for actuator 350-750		
9	1	Housing cover Ø45	HNBR	H170017			kvs = 0,25 m³/h	1.4404	H160658
10	1	Shaft seal Ø45	FPM	H77438			kvs = 0,4 m³/h	1.4404	H160666
			1.4404	H156869			kvs = 0,63 m³/h	1.4404	H160668
			Turcon MF6	H323082			kvs = 1,0 m³/h	1.4404	H160669
			EPDM	H77442	32	1	Shaft - linear L*	1.4404	H159401
			HNBR	H170176			kvs = 1,6 m³/h		
			FPM	H77441			kvs = 2,5 m³/h		
			VMQ	H77440			kvs = 4,0 m³/h		
12	1	Bushing 20x9 PEEK	PEEK	H315800			kvs = 6,3 m³/h		
13	1	Yoke Design 3A-bright finish	1.4308	H321161			kvs = 10 m³/h		
14	1	Hex. screw M6x16 Design satin finish	1.4308	H157564					
15	4	Hex. screw M8x16 DIN EN 24017	A2-70	H78751					
16	1	Elbow union DIN EN 24017	A2-70	H78772					
17	1	Red. nipple G1/4" G1/8" G1/8" Ø6mm slewable for actuator 120-750	MS58	H208825					
				H17018					

Information contained in this document is subject to change without notice and does not represent a commitment on the part of SPX FLOW, Inc.. No part of this document may be reproduced or transmitted in any form or by any means, electronic or mechanical, including photocopying and recording, for any

Spare parts list:

Modulating valve RG4 - 1" - 3A

Diaphragm actuator MAT 3271 or MAT 3277 (Spring: closed or open) - 120, 175, 350, 750cm²

Digital electro-pneumatic positioner

Flow characteristic: linear or equal percentage

Date: 22.06.15 14.11.22

Name: Trytko

Approved by: Waltenb.

Page 3 of 15

SPX FLOW
RN 01.170.1

Item	Quantity	Description	Material	Part no.	Item	Quantity	Description	Material	Part no.	
32	1	kvs = 0,25 m ³ /h	1.4404	H331801	34	1	kvs = 0,25 m ³ /h	1.4404	H160650	
		kvs = 0,4 m ³ /h		H179617			kvs = 0,4 m ³ /h		H160650	
		kvs = 0,63 m ³ /h		H179618			kvs = 0,63 m ³ /h		H126717	
		kvs = 1,0 m ³ /h		H179620			kvs = 1,0 m ³ /h			
		kvs = 1,6 m ³ /h		H159476			kvs = 1,6 m ³ /h			
		kvs = 2,5 m ³ /h		H159477			kvs = 2,5 m ³ /h			
		kvs = 4,0 m ³ /h		H159478			kvs = 4,0 m ³ /h			
		kvs = 6,3 m ³ /h		H159479			kvs = 6,3 m ³ /h			
		kvs = 10 m ³ /h		H160657			kvs = 10 m ³ /h			
							kvs = 0,4 m ³ /h			H317103
33	1	kvs = 0,4 m ³ /h	1.4404	H159245	34	1	kvs = 0,4 m ³ /h	1.4404	H317103	
		kvs = 0,63 m ³ /h		H159244			kvs = 0,63 m ³ /h		H179615	
		kvs = 1,0 m ³ /h		H159243			kvs = 1,0 m ³ /h			
		kvs = 1,6 m ³ /h		H159140			kvs = 1,6 m ³ /h			
		kvs = 2,5 m ³ /h					kvs = 2,5 m ³ /h			
		kvs = 4,0 m ³ /h		H326212			kvs = 4,0 m ³ /h			
		kvs = 6,3 m ³ /h		H207739			kvs = 6,3 m ³ /h			
		kvs = 10 m ³ /h		H207038			kvs = 10 m ³ /h			
							kvs = 0,25 m ³ /h			
							kvs = 0,4 m ³ /h			
34	1	kvs = 0,63 m ³ /h	1.4404	H320892	34.1	1	kvs = 0,63 m ³ /h	1.4404	H33476	
		kvs = 1,0 m ³ /h		H312777			kvs = 1,0 m ³ /h			
		kvs = 1,6 m ³ /h		H208609			kvs = 1,6 m ³ /h			
		kvs = 2,5 m ³ /h		H311745			kvs = 2,5 m ³ /h			
		kvs = 4,0 m ³ /h		H159141			kvs = 4,0 m ³ /h			
		kvs = 6,3 m ³ /h		H159142			kvs = 6,3 m ³ /h			
		kvs = 10 m ³ /h		H159143			kvs = 10 m ³ /h			
				H159144			kvs = 10 m ³ /h			
							kvs = 0,25 m ³ /h			
							kvs = 0,4 m ³ /h			
35	1	kvs = 0,63 m ³ /h	1.4404	H77445	35	1	kvs = 0,63 m ³ /h	1.4404	H179830	
		kvs = 1,0 m ³ /h		H208609			kvs = 1,0 m ³ /h			
		kvs = 1,6 m ³ /h		H311745			kvs = 1,6 m ³ /h			
		kvs = 2,5 m ³ /h		H159141			kvs = 2,5 m ³ /h			
		kvs = 4,0 m ³ /h		H159142			kvs = 4,0 m ³ /h			
		kvs = 6,3 m ³ /h		H159143			kvs = 6,3 m ³ /h			
		kvs = 10 m ³ /h		H159144			kvs = 10 m ³ /h			
							kvs = 0,25 m ³ /h			
							kvs = 0,4 m ³ /h			
							kvs = 0,63 m ³ /h			
36	1	kvs = 1,0 m ³ /h	1.4404	H77444	36	1	kvs = 1,0 m ³ /h	1.4404	H146941	
		kvs = 1,6 m ³ /h		H159141			kvs = 1,6 m ³ /h			
		kvs = 2,5 m ³ /h		H159142			kvs = 2,5 m ³ /h			
		kvs = 4,0 m ³ /h		H159143			kvs = 4,0 m ³ /h			
		kvs = 6,3 m ³ /h		H159144			kvs = 6,3 m ³ /h			
		kvs = 10 m ³ /h					kvs = 10 m ³ /h			
							kvs = 0,25 m ³ /h			
							kvs = 0,4 m ³ /h			
							kvs = 0,63 m ³ /h			
							kvs = 1,0 m ³ /h			
37	1		EPDM	H77445	37	1	Pneumatic actuator MAT 3277 + TROVIS3730-1, IP3730-X, IP3725 see RN 01.170.13-1, RN 01.170.13-2	1.4404	H179830	
				H172173						
				H77444						
				H77443						
38	1		HNBR	H77445	38	1	Pneumatic actuator MAT 3271 + IP763 see RN 01.170.13-3	1.4404	H179830	
				H172173						
				H77444						
				H77443						

Information contained in this document is subject to change without notice and does not represent a commitment on the part of SPX FLOW, Inc.. No part of this document may be reproduced or transmitted in any form or by any means, electronic or mechanical, including photocopying and recording, for any

Spare parts list:

Modulating valve RG4 - 1,5" - 3A

Diaphragm actuator MAT 3271 or MAT 3277 (Spring: closed or open) - 120, 175, 350, 750cm²

Digital electro-pneumatic positioner

Flow characteristic: linear or equal percentage

Date: 16.09.15 13.01.23

Name: Trytko Shreshth

Approved by: Waltenb.

Page 5 of 15

RN 01.170.8

SPX FLOW

Item	Quantity	Description	Material	Part no.	Item	Quantity	Description	Material	Part no.
1	1	Housing RG41-1FN1 Design 3A-bright finish	1.4404	H321125	18	1	Mounting plate for stroke indicator	1.4301	H161763
2	1	Flange FGX1 Design satin finish	1.4404	H320100	19	2	Pan head screw M5x12 DIN EN ISO 1580	1.4301	H127391
3	1	Seal Design 3A-bright finish	1.4404	H321129	20	1	Stroke indicator Stroke: 15mm	1.4301	H161761
			1.4404	H158846	21	1	Counter nut M10x1 , Stroke: 15mm	1.4301	H162483
			EPDM	H77296	22	1	Coupling top small for actuator 120	1.4301	H162484
			HNBR	H172141	23	1	Coupling top big for actuator 175-750	1.4301	H162485
			FPM	H77295	24	1	Driving plate complete	1.4301	H162486
			VMQ	H77294	25	3	Angle bracket for kvs 16-160	1.4301	H162487
3.1	1	Seal FGN1	EPDM	H77292	26	1	Elbow union G1/8" Ø6mm slewable		H208825
			HNBR	H172131	27	1	Hex. screw M8x70 DIN EN 24014	A2-70	H78803
			FPM	H77291	28	1	Washer DIN 125 A l=8.4	A2-70	H79594
			VMQ	H77290	29	1	Hose 6x1x500		H16541
4	4	Hex. screw M8x20 DIN EN 24017	A2-70	H78776	30	3	Electro-pneumatic positioner IP763 without accessory: lever I, spring I (stroke 15mm)	Aluminium die casted	H66919
5	1	Flange FNX1 Design 3A-bright finish	1.4404	H321128	31	1	Red. nipple G1/4" G1/8" for actuator 120-175	MS58	H17018
6	4	Hex. screw M8x28 Design satin finish	1.4404	H147046	32	1	Red. nipple G1/4" G1/8" for actuator 350-750	MS58	H17018
7	4	Hex. nut M8 DIN EN 24017	A2-70	H78778			Red. nipple G3/4" G1/8" for actuator 350-750	MS58	H17019
8	2	Housing seal DIN EN 24032	A2	H79281			kvs = 0,63 m ³ /h	1.4404	H160668
9	1	Housing cover Ø61	HNBR	H170018			kvs = 1,0 m ³ /h	1.4404	H160669
10	1	Shaft seal Ø61	FPM	H77463			kvs = 1,6 m ³ /h	1.4404	H159401
11	1	Seat seal SW4-Ø20mm	1.4404	H156409			kvs = 2,5 m ³ /h		
12	1	Bushing 20x9	Turcon MF6	H323082			kvs = 4,0 m ³ /h		
13	1	Yoke Design 3A-bright finish	EPDM	H77442			kvs = 6,3 m ³ /h		
14	1	Hex. screw M8x16 Design satin finish	HNBR	H170176			kvs = 10 m ³ /h		
15	4	Hex. screw M8x16	FPM	H77441			kvs = 16 m ³ /h	1.4404	H169153
16	1	Elbow union DIN EN 24017	VMQ	H77440			kvs = 25 m ³ /h	1.4404	H175757
17	1	Red. nipple G1/4" G1/8" G1/8" Ø6mm slewable for actuator 120-750	PEEK	H315800			Shaft - linear L*		
			1.4308	H321126					
			1.4308	H157565					
			A2-70	H78772					
			A2-70	H78772					
			MS58	H208825					
				H17018					

Information contained in this document is subject to change without notice and does not represent a commitment on the part of SPX FLOW, Inc.. No part of this document may be reproduced or transmitted in any form or by any means, electronic or mechanical, including photocopying and recording, for any

Spare parts list:

Modulating valve RG4 - 1,5" - 3A

Diaphragm actuator MAT 3271 or MAT 3277 (Spring: closed or open) - 120, 175, 350, 750cm²

Digital electro-pneumatic positioner

Flow characteristic: linear or equal percentage

Date: 22.06.15 14.11.22
 Name: Trytko
 Approved by: Waltenb.
 Date:
 Name:
 Approved by:

Item	Quantity	Description	Material	Part no.	Item	Quantity	Description	Material	Part no.															
32	1	Shaft - linear LD*	kvs = 0,25 m ³ /h	1.4404	H179617	33	Seat seal	EPDM	H77470															
			kvs = 0,4 m ³ /h	1.4404	H179618																			
			kvs = 0,63 m ³ /h	1.4404	H179620																			
			kvs = 1,0 m ³ /h	1.4404	H159476																			
			kvs = 1,6 m ³ /h	1.4404	H159477																			
			kvs = 2,5 m ³ /h	1.4404	H159478																			
			kvs = 4,0 m ³ /h	1.4404	H159479																			
			kvs = 6,3 m ³ /h	1.4404	H159480																			
			kvs = 10 m ³ /h	1.4404	H159481																			
			kvs = 0,25 m ³ /h	1.4404	H159244																			
33	1	Shaft - equal percentage G*	kvs = 0,4 m ³ /h	1.4404	H159243	34	Valve seat metal sealing	1.4404	H126763															
			kvs = 0,63 m ³ /h	1.4404	H159140																			
			kvs = 1,0 m ³ /h	1.4404	H166601																			
			kvs = 1,6 m ³ /h	1.4404	H326212																			
			kvs = 2,5 m ³ /h	1.4404	H207739																			
			kvs = 4,0 m ³ /h	1.4404	H207038																			
			kvs = 6,3 m ³ /h	1.4404	H331585																			
			kvs = 10 m ³ /h	1.4404	H163545																			
			kvs = 0,25 m ³ /h	1.4404	H312777																			
			kvs = 0,4 m ³ /h	1.4404	H208609																			
34.1	1	Valve seat with punched cage (noise reduction)	kvs = 0,63 m ³ /h	1.4404	H311745	34.1	Valve seat with punched cage (noise reduction)	1.4404	H144862															
			kvs = 1,0 m ³ /h	1.4404	H159141																			
			kvs = 1,6 m ³ /h	1.4404	H159142																			
			kvs = 2,5 m ³ /h	1.4404	H159143																			
			kvs = 4,0 m ³ /h	1.4404	H159144																			
			kvs = 6,3 m ³ /h	1.4404	H159145																			
			kvs = 10 m ³ /h	1.4404	H159146																			
			kvs = 0,63 m ³ /h - kvs = 1,0 m ³ /h	EPDM	H77445																			
			kvs = 1,6 m ³ /h - kvs = 2,5 m ³ /h	HNBR	H172173																			
			kvs = 4,0 m ³ /h - kvs = 6,3 m ³ /h	FPM	H77444																			
kvs = 10 m ³ /h	VMQ	H77443																						
33	1	Seat seal	1.4404	H148260	33	Seat seal	1.4404	H148260																
									1.4404	H148260														
											1.4404	H148260												
													1.4404	H148260										
															1.4404	H148260								
																	1.4404	H148260						
																			1.4404	H148260				
																					1.4404	H148260		
																							1.4404	H148260

Information contained in this document is subject to change without notice and does not represent a commitment on the part of SPX FLOW, Inc.. No part of this document may be reproduced or transmitted in any form or by any means, electronic or mechanical, including photocopying and recording, for any

Spare parts list:

Modulating valve RG4 - 2" - 3A

Diaphragm actuator MAT 3271 or MAT 3277 (Spring: closed or open) - 120, 175, 350, 750cm²

Digital electro-pneumatic positioner
Flow characteristic: linear or equal percentage

Date: 16.09.15 13.01.23
Name: Trytko Shreshth
Approved by: Waltenb.

Date: _____ of _____
Name: _____
Approved by: _____

SPX FLOW

Page 8 of 15
RN 01.170.8

Item	Quantity	Description	Material	Part no.	Item	Quantity	Description	Material	Part no.
1	1	Housing RG41-1FN1 Design 3A-bright finish	1.4404	H315798	18	1	Mounting plate for stroke indicator	1.4301	H161763
2	1	Flange FGX1 Design satin finish	1.4404	H325762	19	2	Pan head screw M5x12 DIN EN ISO 1580	1.4301	H127391
3	1	Seal Design 3A-bright finish	1.4404	H323830	20	1	Stroke indicator Stroke: 15mm	1.4301	H161761
			1.4404	H158847	21	1	Counter nut M10x1 , Stroke: 15mm	1.4301	H162483
			EPDM	H77307	22	1	Coupling top small for actuator 120	1.4301	H162484
			HNBR	H172142	23	1	Coupling top big for actuator 175-750	1.4301	H162485
			FPM	H177306	24	1	Driving plate complete	1.4301	H162486
			VMQ	H77305	25	3	Angle bracket for kvs 16-160	1.4301	H162487
			EPDM	H77303	26	1	Elbow union G1/8" Ø6mm slewable		H208825
3.1	1	Seal Design 3A-bright finish	HNBR	H172132	27	1	Hex. screw M8x70 DIN EN 24014	A2-70	H78803
			FPM	H77302	28	1	Washer DIN 125 A l=8.4	A2-70	H79594
			VMQ	H77301	29	1	Hose 6x1x500		H16541
4	4	Hex. screw M8x20 DIN EN 24017	A2-70	H78776	30	3	Electro-pneumatic positioner IP763 without accessory: lever I, spring I (stroke 15mm)	Aluminium die casted	H66919
5	1	Flange FNX1 Design 3A-bright finish	1.4404	H323831	31	2	Red. nipple G1/4" G1/8" for actuator 120-175	MS58	H17018
6	4	Hex. screw M8x28 Design satin finish	1.4404	H147047			Red. nipple G1/4" G1/8" for actuator 350-750	MS58	H17018
7	4	Hex. nut M8 DIN EN 24017	A2-70	H78778			Red. nipple G3/4" G1/8" for actuator 350-750	MS58	H17019
8	2	Housing seal DIN EN 24032	A2	H79281			kvs = 4.0 m³/h		
9	1	Housing cover Ø73	HNBR	H168714			kvs = 6.3 m³/h		
10	1	Shaft seal Ø73	FPM	H77487			kvs = 10 m³/h		
			1.4404	H148194			kvs = 16 m³/h		
			Turcon MF6	H323082			kvs = 25 m³/h		
11	1	Seat seal SW4-Ø20mm	EPDM	H77442			kvs = 40 m³/h		
			HNBR	H170176			kvs = 4.0 m³/h		
			FPM	H77441			kvs = 6.3 m³/h		
			VMQ	H77440			kvs = 10 m³/h		
12	1	Bushing 20x9	PEEK	H315800			kvs = 16 m³/h		
13	1	Yoke Design 3A-bright finish	1.4308	H311118			kvs = 25 m³/h		
14	1	Hex. screw M8x16 Design satin finish	1.4308	H157567			kvs = 40 m³/h		
15	4	Hex. screw M8x16 DIN EN 24017	A2-70	H78772			kvs = 6.3 m³/h		
16	1	Elbow union DIN EN 24017	A2-70	H78772			kvs = 10 m³/h		
17	1	Red. nipple G1/4" G1/8" G1/8" Ø6mm slewable for actuator 120-750	MS58	H208825			kvs = 16 m³/h		
				H17018			kvs = 25 m³/h		
							kvs = 40 m³/h		

Information contained in this document is subject to change without notice and does not represent a commitment on the part of SPX FLOW, Inc.. No part of this document may be reproduced or transmitted in any form or by any means, electronic or mechanical, including photocopying and recording, for any

Spare parts list:

Modulating valve RG4 - 2" - 3A

Diaphragm actuator MAT 3271 or MAT 3277 (Spring: closed or open) - 120, 175, 350, 750cm²

Digital electro-pneumatic positioner

Flow characteristic: linear or equal percentage

Date: 22.06.15 14.11.22

Name: Trytko

Approved by: Waltenb.

SPX FLOW

Item	Quantity	Description	Material	Part no.	Item	Quantity	Description	Material	Part no.
32	1	kvs = 4,0 m ³ /h	1.4404	H326212	34	1	kvs = 4,0 m ³ /h	1.4404	H202927
		kvs = 6,3 m ³ /h	1.4404	H207739			kvs = 6,3 m ³ /h	1.4404	H33481
		kvs = 10 m ³ /h	1.4404	H207038			kvs = 10 m ³ /h	1.4404	H33482
		kvs = 16 m ³ /h	1.4404	H331585			kvs = 16 m ³ /h	1.4404	H33483
		kvs = 25 m ³ /h	1.4404	H163545			kvs = 25 m ³ /h	1.4404	
33	1	kvs = 4,0 m ³ /h	1.4404	H159142	34	1	kvs = 4,0 m ³ /h	1.4404	H149114
		kvs = 6,3 m ³ /h	1.4404	H159143			kvs = 6,3 m ³ /h	1.4404	
		kvs = 10 m ³ /h	1.4404	H159144			kvs = 10 m ³ /h	1.4404	
		kvs = 16 m ³ /h	1.4404	H159145			kvs = 16 m ³ /h	1.4404	H141521
		kvs = 25 m ³ /h	1.4404	H159146			kvs = 25 m ³ /h	1.4404	H144859
33	1	kvs = 4,0 m ³ /h	1.4404	H159147	Pneumatic actuator MAT 3277 + TROVIS3730-1, IP3730-X, IP3725 see RN 01.170.13-1, RN 01.170.13-2 Pneumatic actuator MAT 3271 + IP763 see RN 01.170.13-3				
		kvs = 6,3 m ³ /h	EPDM	H77445					
		kvs = 10 m ³ /h	HNBR	H172173					
		kvs = 16 m ³ /h	FPM	H77444					
		kvs = 25 m ³ /h	VMQ	H77443					
		kvs = 4,0 m ³ /h	EPDM	H77470					
		kvs = 6,3 m ³ /h	HNBR	H172175					
		kvs = 10 m ³ /h	FPM	H77469					
		kvs = 16 m ³ /h	VMQ	H77468					
		kvs = 25 m ³ /h	EPDM	H77494					
34	1	kvs = 40 m ³ /h	HNBR	H168709	Item 3, 3.1, 8, 10, 11, 12, 33 available as complete seal kits only				
		kvs = 6,3 m ³ /h	FPM	H77493					
		kvs = 10 m ³ /h	VMQ	H77492					
		kvs = 16 m ³ /h							
		kvs = 25 m ³ /h							
34	1	kvs = 40 m ³ /h	EPDM	H337985	* LD* = linear flow characteristic, soft sealing * GD* = equal percentage flow characteristic, soft sealing				
		kvs = 6,3 m ³ /h	HNBR	H337987					
		kvs = 10 m ³ /h	FPM	H337984					
		kvs = 16 m ³ /h	VMQ	H337986					
		kvs = 25 m ³ /h							

Information contained in this document is subject to change without notice and does not represent a commitment on the part of SPX FLOW, Inc.. No part of this document may be reproduced or transmitted in any form or by any means, electronic or mechanical, including photocopying and recording, for any

Spare parts list:

Modulating valve RG4 - 2,5" - 3A

Diaphragm actuator MAT 3271 or MAT 3277 (Spring: closed or open) - 120, 175, 350, 750cm²

Digital electro-pneumatic positioner

Flow characteristic: linear or equal percentage

Date: 16.09.15 13.01.23
 Name: Trytko Shreshth
 Approved by: Waltenb.

Date: _____
 Name: _____
 Approved by: _____

SPX FLOW

Page 10 of 15

RN 01.170.8

Item	Quantity	Description	Material	Part no.	Item	Quantity	Description	Material	Part no.
1	1	Housing RG41-1FN1 Design 3A-bright finish	1.4404	H329378	18	1	Mounting plate for stroke indicator	1.4301	H161763
2	1	Flange FGX1 Design satin finish	1.4404	H320101	19	2	Pan head screw M5x12 DIN EN ISO 1580	1.4301	H127391
3	1	Seal Design 3A-bright finish	1.4404	H329383	20	1	Stroke indicator Stroke: 15mm	1.4301	H161761
			1.4404	H158848	21	1	Counter nut M10x1 , Stroke: 15mm	1.4301	H162483
			EPDM	H77318	22	1	Coupling top small for actuator 120	1.4301	H162484
			HNBR	H172143	23	1	Coupling top big for actuator 175-750	1.4301	H162485
			FPM	H77317	24	1	Driving plate complete	1.4301	H162486
			VMQ	H77316	25	3	Angle bracket for kvs 16-160	1.4301	H162487
			EPDM	H77314	26	1	Elbow union G1/8" Ø6mm slewable		H208825
3.1	1	Seal FGN1	HNBR	H172133	27	1	Hex. screw M8x70 DIN EN 24014	A2-70	H78803
			FPM	H77313	28	1	Washer DIN 125 A l=8.4	A2-70	H79594
			VMQ	H77312	29	1	Hose 6x1x500		H16541
4	4	Hex. screw M8x20 DIN EN 24017	A2-70	H78776	30	3	Electro-pneumatic positioner IP763 without accessory: lever I, spring I (stroke 15mm)	Aluminium die casted	H66919
5	1	Flange FNX1 Design 3A-bright finish	1.4404	H329382	31	2	Red. nipple G1/4" G1/8" for actuator 120-175	MS58	H17018
6	4	Hex. screw M8x28 Design satin finish	1.4404	H147048			Red. nipple G1/4" G1/8" for actuator 350-750	MS58	H17018
7	4	Hex. nut M8 DIN EN 24017	A2-70	H78778			Red. nipple G3/4" G1/8" for actuator 350-750	MS58	H17019
8	2	Housing seal DIN EN 24032	A2	H79281		1	Shaft - linear L* kvs = 16 m³/h	1.4404	H169153
9	1	Housing cover Ø81	HNBR	H168759			kvs = 25 m³/h	1.4404	H175757
10	1	Shaft seal Ø81	FPM	H77511			kvs = 40 m³/h	1.4404	H176315
			1.4404	H151968	32		kvs = 63 m³/h		
			Turcon MF6	H323082			kvs = 16 m³/h	1.4404	H159480
			EPDM	H77442			kvs = 25 m³/h	1.4404	H159481
11	1	Seat seal HNBR	HNBR	H170176		1	Shaft - linear LD* kvs = 40 m³/h	1.4404	H159482
			FPM	H77441			kvs = 63 m³/h	1.4404	H321259
			VMQ	H77440					
12	1	Bushing 20x9 PEEK	PEEK	H315800					
13	1	Yoke Design 3A-bright finish	1.4308	H329381					
14	1	Hex. screw M8x16 Design satin finish	1.4308	H157568					
15	4	Hex. screw M8x16 DIN EN 24017	A2-70	H78772					
16	1	Elbow union DIN EN 24017	A2-70	H78772					
17	1	Red. nipple G1/4" G1/8" G1/8" Ø6mm slewable for actuator 120-750	MS58	H208825					
				H17018					

Information contained in this document is subject to change without notice and does not represent a commitment on the part of SPX FLOW, Inc.. No part of this document may be reproduced or transmitted in any form or by any means, electronic or mechanical, including photocopying and recording, for any

Spare parts list:

Modulating valve RG4 - 2,5" - 3A

Diaphragm actuator MAT 3271 or MAT 3277 (Spring: closed or open) - 120, 175, 350, 750cm²

Digital electro-pneumatic positioner

Flow characteristic: linear or equal percentage

Date: 22.06.15 14.11.22

Name: Trytko

Approved by: Waltenb.

Page 11 of 15

RN 01.170.1

SPX FLOW

Item	Quantity	Description	Material	Part no.	Item	Quantity	Description	Material	Part no.
32	1	Shaft - equal percentage G*	kvs = 16 m ³ /h	1.4404	H331585	35	Pneumatic actuator MAT 3277 + TROVIS3730-1, IP3730-X, IP3725 see RN 01.170.13-1, RN 01.170.13-2	1.4404	H333827
			kvs = 25 m ³ /h	1.4404	H163545				
			kvs = 40 m ³ /h	1.4404	H333827				
			kvs = 63 m ³ /h	1.4404	H159145				
33	1	Shaft - equal percentage GD*	kvs = 16 m ³ /h	1.4404	H159146	36	Pneumatic actuator MAT 3271 + IP763 see RN 01.170.13-3	1.4404	H159147
			kvs = 25 m ³ /h	1.4404	H321260				
			kvs = 40 m ³ /h	1.4404	H77470				
			kvs = 63 m ³ /h	EPDM	H77470				
34	1	Seat seal	kvs = 16 m ³ /h	HNBR	H172175	1	Seal kit	EPDM	H337989
			kvs = 25 m ³ /h	FPM	H77469				
			kvs = 40 m ³ /h	VMQ	H77468				
			kvs = 63 m ³ /h	EPDM	H77494				
34.1	1	Valve seat with punched cage (noise reduction)	kvs = 16 m ³ /h	HNBR	H168709	1	Seal kit	HNBR	H337991
			kvs = 25 m ³ /h	FPM	H77493				
			kvs = 40 m ³ /h	VMQ	H77492				
			kvs = 63 m ³ /h	EPDM	H77518				
34	1	Valve seat metal sealing	kvs = 16 m ³ /h	HNBR	H172178	1	Seal kit	FPM	H337988
			kvs = 25 m ³ /h	EPDM	H77517				
			kvs = 40 m ³ /h	HNBR	H77517				
			kvs = 63 m ³ /h	VMQ	H77516				
34	1	Valve seat	kvs = 16 m ³ /h	1.4404	H326912	1	Seal kit	VMQ	H337990
			kvs = 25 m ³ /h	1.4404	H326914				
			kvs = 40 m ³ /h	1.4404	H33486				
			kvs = 63 m ³ /h	1.4404	H326913				
34.1	1	Valve seat with punched cage (noise reduction)	kvs = 16 m ³ /h	1.4404	H326913	*	LD* = linear flow characteristic, soft sealing	1.4404	H326915
			kvs = 25 m ³ /h	1.4404	H326915				
			kvs = 40 m ³ /h	1.4404	H148263				
			kvs = 63 m ³ /h	1.4404	H148263				

* LD* = linear flow characteristic, soft sealing
* GD* = equal percentage flow characteristic, soft sealing

Information contained in this document is subject to change without notice and does not represent a commitment on the part of SPX FLOW, Inc.. No part of this document may be reproduced or transmitted in any form or by any means, electronic or mechanical, including photocopying and recording, for any

Spare parts list:

Modulating valve RG4 - 3" - 3A

Diaphragm actuator MAT 3271 or MAT 3277 (Spring: closed or open) - 120, 175, 350, 750cm²

Digital electro-pneumatic positioner
Flow characteristic: linear or equal percentage

Date:	16.09.15	13.01.23
Name:	Trytko	Shreshth
Approved by:		Waltenb.
Date:		
Name:		
Approved by:		

SPX FLOW

Page 12 of 15

RN 01.170.8

Item	Quantity	Description	Material	Part no.	Item	Quantity	Description	Material	Part no.
1	1	Housing RG41-1FN1	1.4404	H320033	18	1	Mounting plate for stroke indicator	1.4301	H161763
		Design 3A-bright finish			19	2	Pan head screw M5x12	1.4301	H127391
		Design satin finish	1.4404	H322862			DIN EN ISO 1580		
2	1	Flange FGX1	1.4404	H320037	20	1	Stroke indicator	1.4301	H161761
		Design 3A-bright finish					Stroke: 15mm		
		Design satin finish	1.4404	H158849	21	1	Counter nut	1.4301	H162483
3	1	Seal	EPDM	H77332	22	1	Coupling top small	1.4301	H162484
		FGN1					for actuator 120		
		FGN1	HNBR	H172144	23	1	Coupling top big	1.4301	H162485
		FGN1	FPM	H77331			for actuator 175-750		
		FGN1	VMQ	H77330	24	1	Driving plate complete	1.4301	H162486
3.1	1	Seal	EPDM	H77332	25	3	Angle bracket	1.4301	H162487
		FGN1					for kvs 16-160		
		FGN1	HNBR	H172144	26	1	Hex. screw M8x70	A2-70	H78803
		FGN1	FPM	H77331	27	1	Washer	A2-70	H79594
		FGN1	VMQ	H77330	28	1	Hose		H16541
4	4	Hex. screw M8x20	A2-70	H78776	29	1	Electro-pneumatic positioner IP763	Aluminium die casted	H66919
		DIN EN 24017					without accessory: lever 1, spring 1 (stroke 15mm)		
5	1	Flange FNX1	1.4404	H320036	30	3	Red. nipple G1/4" G1/8"	MS58	H17018
		Design 3A-bright finish					for actuator 120-175		
		Design satin finish	1.4404	H158889	31	2	Red. nipple G1/4" G1/8"	MS58	H17018
6	4	Hex. screw M8x28	A2-70	H78778			for actuator 350-750		
		DIN EN 24017					for actuator 350-750		
7	4	Hex. nut M8	A2	H79281					
		DIN EN 24032							
8	2	Housing seal	HNBR	H170013					
		Ø88							
		Ø88	FPM	H77557					
9	1	Housing cover	1.4404	H159895					
		SW4-Ø20mm							
10	1	Shaft seal	Turcon MF6	H323082					
			EPDM	H77442					
11	1	Seat seal	HNBR	H170176					
			FPM	H77441					
			VMQ	H77440					
12	1	Bushing 20x9	PEEK	H315800					
			1.4308	H320035					
13	1	Yoke	1.4308	H159379					
			A2-70	H78772					
14	1	Hex. screw M8x16	A2-70	H78772					
15	4	Hex. screw M8x16	A2-70	H78772					
16	1	Elbow union	MS58	H208825					
17	1	Red. nipple G1/4" G1/8" for actuator 120-750		H17018					

Information contained in this document is subject to change without notice and does not represent a commitment on the part of SPX FLOW, Inc.. No part of this document may be reproduced or transmitted in any form or by any means, electronic or mechanical, including photocopying and recording, for any

Spare parts list:

Modulating valve RG4 - 3" - 3A

Diaphragm actuator MAT 3271 or MAT 3277 (Spring: closed or open) - 120, 175, 350, 750cm²

Digital electro-pneumatic positioner

Flow characteristic: linear or equal percentage

Date: 22.06.15 14.11.22

Name: Trytko

Approved by: Waltenb.

Page 13 of 15

RN 01.170.1

SPX FLOW

Item	Quantity	Description	Material	Part no.	Item	Quantity	Description	Material	Part no.
32	1	Shaft - equal percentage G*	kvs = 16 m ³ /h	H159145	34.1	1	Valve seat	1.4404	H159145
			kvs = 25 m ³ /h	H159146				1.4404	H159146
			kvs = 40 m ³ /h	H159147				1.4404	H159147
			kvs = 63 m ³ /h	H159148				1.4404	H159148
			kvs = 80 m ³ /h	H159762				1.4404	H159762
33	1	Seat seal	EPDM	H77470	35	1	Pneumatic actuator MAT 3277 + TROVIS3730-1, IP3730-X, IP3725 see RN 01.170.13-1, RN 01.170.13-2	HNBR	H172175
			HNBR	H172175				FPM	H77469
			FPM	H77469				VMQ	H77468
			VMQ	H77468				EPDM	H77494
			EPDM	H77494				HNBR	H168709
34	1	Valve seat metal sealing	HNBR	H168709	36	1	Pneumatic actuator MAT 3271 + IP763 see RN 01.170.13-3	FPM	H77493
			FPM	H77493				VMQ	H77492
			VMQ	H77492				EPDM	H77518
			EPDM	H77518				HNBR	H172178
			HNBR	H172178				FPM	H77517
34	1	Valve seat	VMQ	H77516	34	1	Valve seat	VMQ	H77516
			EPDM	H77564				EPDM	H77564
			HNBR	H176688				HNBR	H176688
			FPM	H77563				FPM	H77563
			VMQ	H77562				VMQ	H77562
34	1	Valve seat	kvs = 16 m ³ /h	H332539	34	1	Valve seat	1.4404	H332539
			kvs = 25 m ³ /h					1.4404	H33511
			kvs = 40 m ³ /h					1.4404	H147062
			kvs = 63 m ³ /h					1.4404	H147062
			kvs = 80 m ³ /h					1.4404	H33512
Item 3, 3.1, 8, 10, 11, 12, 33 available as complete seal kits only									
	1	Seal kit	EPDM	H337993		1	Seal kit	EPDM	H337993
	1	Seal kit	HNBR	H337995		1	Seal kit	HNBR	H337995
	1	Seal kit	FPM	H337992		1	Seal kit	FPM	H337992
	1	Seal kit	VMQ	H337994		1	Seal kit	VMQ	H337994
	*	LD* = linear flow characteristic, soft sealing							
	*	GD* = equal percentage flow characteristic, soft sealing							

Information contained in this document is subject to change without notice and does not represent a commitment on the part of SPX FLOW, Inc.. No part of this document may be reproduced or transmitted in any form or by any means, electronic or mechanical, including photocopying and recording, for any

Item		Quantity		Material		Description		Part no.	
1	Housing RG41-1FN1	1	1	1.4404	Design 3A-bright finish	1.4404	Design 3A-bright finish		
2	Flange FGX1	1	1	1.4404	Design satin finish	1.4404	Design satin finish		
3	Seal	1	1	1.4404	Design 3A-bright finish	1.4404	Design 3A-bright finish	H158850	
				EPDM	FGN1	HNBR	FGN1	H77343	
				FPM	FGN1	FPM	FGN1	H172145	
				VMQ	FGN1	VMQ	FGN1	H77342	
3.1	Seal	1	1	EPDM	FGN1	EPDM	FGN1	H77341	
				HNBR	FGN1	HNBR	FGN1	H77339	
				FPM	FGN1	FPM	FGN1	H172135	
				VMQ	FGN1	VMQ	FGN1	H77338	
4	Hex. screw M10x20	8	8	A2-70	DIN EN 24017	A2-70	DIN EN 24017	H77337	
5	Flange FNX1	1	1	1.4404	Design 3A-bright finish	1.4404	Design 3A-bright finish	H78809	
6	Hex. screw M8x28	4	4	1.4404	Design satin finish	1.4404	Design satin finish	H147049	
7	Hex. nut M8	4	4	A2-70	DIN EN 24017	A2-70	DIN EN 24017	H78778	
8	Housing seal	2	2	A2	DIN EN 24032	A2	DIN EN 24032	H79281	
9	Housing cover	1	1	HNBR	Ø110,2	HNBR	Ø110,2	H170074	
10	Shaft seal	1	1	FPM	Ø110,2	FPM	Ø110,2	H77582	
				1.4404	Turcon MF6	1.4404	Turcon MF6	H159888	
11	Seat seal	1	1	EPDM	SW4-Ø20mm	EPDM	SW4-Ø20mm	H323082	
12	Bushing 20x9	1	1	HNBR		HNBR		H77442	
13	Yoke	1	1	FPM		FPM		H170176	
14	Hex. screw M8x16	1	1	FPM		FPM		H77441	
15	Hex. screw M8x16	8	8	VMQ		VMQ		H77440	
16	Elbow union	1	1	PEEK		PEEK		H315800	
17	Red. nipple G1/4" G1/8" for actuator 120-750	1	1	1.4308	Design 3A-bright finish	1.4308	Design 3A-bright finish	H157572	
				1.4308	Design satin finish	1.4308	Design satin finish	H78772	
				A2-70	DIN EN 24017	A2-70	DIN EN 24017	H78806	
				A2-70	DIN EN 24017	A2-70	DIN EN 24017	H208825	
				MS58	G1/8" Ø6mm slewable	MS58	G1/8" Ø6mm slewable	H17018	

Item	Quantity	Description	Material	Part no.
18	1	Mounting plate for stroke indicator	1.4301	H161763
19	2	Pan head screw M5x12	1.4301	H127391
20	1	Stroke indicator	1.4301	H161761
21	1	Counter nut	1.4301	H162483
22	1	Coupling top small	1.4301	H162484
23	1	Coupling top big	1.4301	H162485
24	1	Driving plate complete	1.4301	H162486
25	3	Angle bracket	1.4301	H162487
26	1	Elbow union	1.4301	H208825
27	1	Hex. screw M8x70	A2-70	H78803
28	1	Washer	A2-70	H79594
29	1	Hose		H16541
30	3	Electro-pneumatic positioner IP763	Aluminium die casted	H66919
31	2	Red. nipple G1/4" G1/8" for actuator 120-175	MS58	H17018
	1	Red. nipple G1/4" G1/8" for actuator 350-750	MS58	H17018
	1	Red. nipple G3/4" G1/8" for actuator 350-750	MS58	H17019
32	1	Shaft - linear L*		
		kvs = 63 m³/h	1.4404	H159483
		kvs = 100 m³/h	1.4404	H159309
		kvs = 160 m³/h Stroke: 15mm	1.4404	H167867
		kvs = 160 m³/h Stroke: 30mm		
		kvs = 63 m³/h		
		kvs = 100 m³/h		
		kvs = 160 m³/h Stroke: 15mm		
		kvs = 160 m³/h Stroke: 30mm		
		kvs = 63 m³/h		
		kvs = 100 m³/h		
		kvs = 160 m³/h Stroke: 15mm		
		kvs = 160 m³/h Stroke: 30mm		

Spare parts list:

Modulating valve RG4 - 4" - 3A

Diaphragm actuator MAT 3271 or MAT 3277 (Spring: closed or open) - 120, 175, 350, 750cm²

Digital electro-pneumatic positioner
Flow characteristic: linear or equal percentage

Date: 16.09.15 13.01.23

Name: Trytko Shreshth

Approved by: Waltenb.

Page 14 of 15

RN 01.170.8

SPX FLOW

Information contained in this document is subject to change without notice and does not represent a commitment on the part of SPX FLOW, Inc.. No part of this document may be reproduced or transmitted in any form or by any means, electronic or mechanical, including photocopying and recording, for any

Spare parts list:			Date: 22.06.15 14.11.22		Page 15 of 15				
Modulating valve RG4 - 4" - 3A			Name: Trytko		SPX FLOW				
Diaphragm actuator MAT 3271 or MAT 3277 (Spring: closed or open) - 120, 175, 350, 750cm ²			Approved by: Waltenb.						
Digital electro-pneumatic positioner			Date:		RN 01.170.1				
Flow characteristic: linear or equal percentage			Name:						
			Approved by:						
Item	Quantity	Description	Material	Part no.	Item	Description	Material	Part no.	
32	1	Shaft - equal percentage G*	kvs = 63 m ³ /h kvs = 100 m ³ /h kvs = 160 m ³ /h Stroke: 15mm kvs = 160 m ³ /h Stroke: 30mm		35	1	Pneumatic actuator MAT 3277 + TROVIS3730-1, IP3730-X, IP3725 see RN 01.170.13-1, RN 01.170.13-2		
	1	Shaft - equal percentage GD*	kvs = 63 m ³ /h kvs = 100 m ³ /h kvs = 160 m ³ /h Stroke: 15mm kvs = 160 m ³ /h Stroke: 30mm	1.4404 1.4404 1.4404	36	1	Pneumatic actuator MAT 3271 + IP763 see RN 01.170.13-3		
	1	Seat seal	kvs = 63 m ³ /h	EPDM					
	1	Seat seal	kvs = 100 m ³ /h	HNBR				H337997	
33	1	Seat seal	kvs = 63 m ³ /h	HNBR				H337999	
	1	Seat seal	kvs = 100 m ³ /h	FPM				H337996	
	1	Seat seal	kvs = 160 m ³ /h	VMQ				H337998	
	1	Seat seal	kvs = 160 m ³ /h	EPDM					
34	1	Valve seat metal sealing	kvs = 63 m ³ /h kvs = 100 m ³ /h kvs = 160 m ³ /h Stroke: 15mm kvs = 160 m ³ /h Stroke: 30mm	H172180 H77548 H77547					
	1	Valve seat	kvs = 63 m ³ /h kvs = 100 m ³ /h kvs = 160 m ³ /h Stroke: 15mm kvs = 160 m ³ /h Stroke: 30mm	1.4404 1.4404 1.4404					
	1	Valve seat with punched cage (noise reduction)	kvs = 63 m ³ /h kvs = 100 m ³ /h kvs = 160 m ³ /h Stroke: 15mm kvs = 160 m ³ /h Stroke: 30mm	1.4404 1.4404 1.4404					
	1	Valve seat with punched cage (noise reduction)	kvs = 63 m ³ /h kvs = 100 m ³ /h kvs = 160 m ³ /h Stroke: 15mm kvs = 160 m ³ /h Stroke: 30mm	1.4404 1.4404 1.4404					
					*		LD* = linear flow characteristic, soft sealing		
					*		GD* = equal percentage flow characteristic, soft sealing		

Item 3, 3.1, 8, 10, 11, 12, 33 available as complete seal kits only

Information contained in this document is subject to change without notice and does not represent a commitment on the part of SPX FLOW, Inc.. No part of this document may be reproduced or transmitted in any form or by any means, electronic or mechanical, including photocopying and recording, for any purpose, without the express written permission of SPX FLOW, Inc.

Spare parts list:

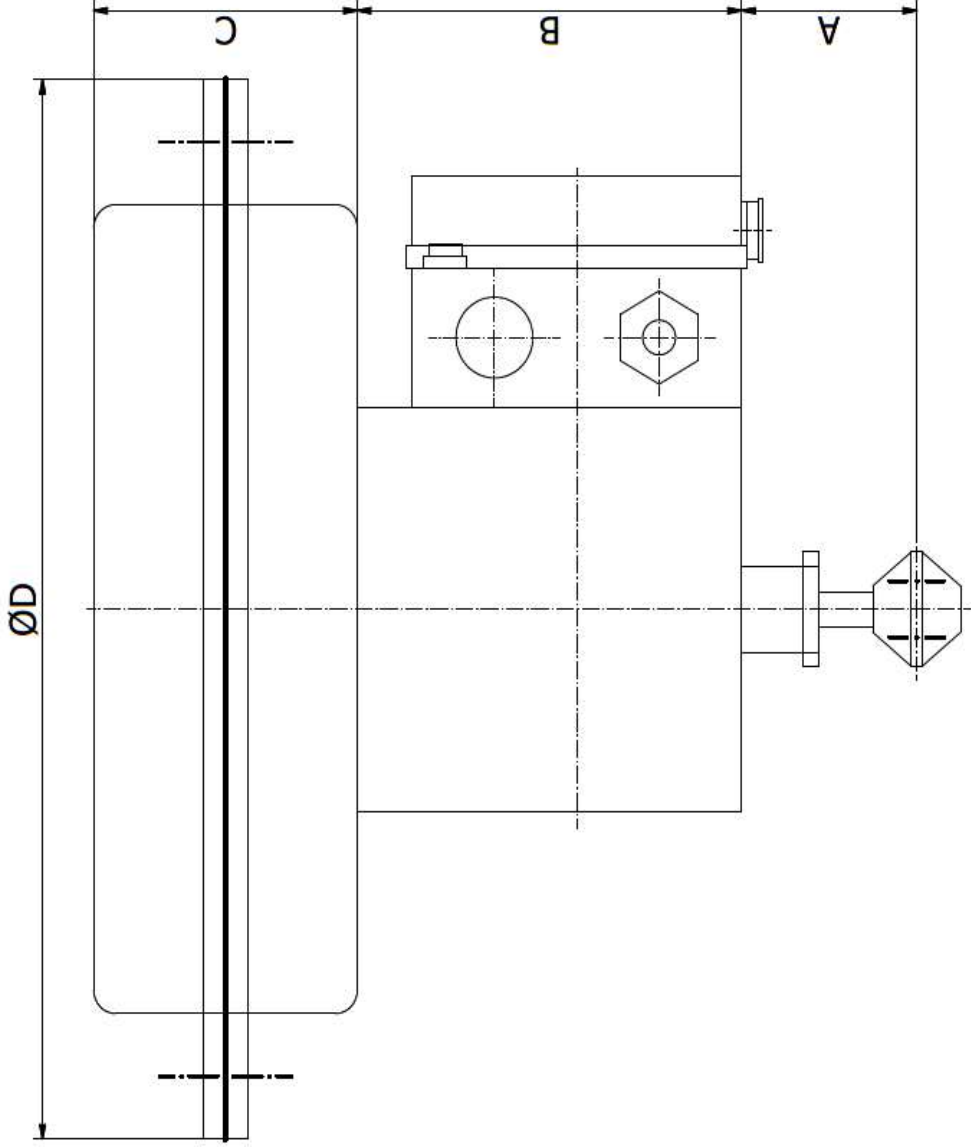
RG4 - Pneum. Actuator MAT 3277 spring: closed or open with digital electro-pneumatic positioner 3730

Date:	16.08.11	Trytko	Knöchel	23.10.13	Trytko	Knöchel	24.07.15	Trytko	Knöchel	28.02.17	C.Keil
Name:											
Approved by:											
Date:	31.01.23	Shreshith	Waltenb.								
Name:											
Approved by:											

SPX FLOW

Page 1 of 2

RN 01.170.13-1



Information contained in this document is subject to change without notice and does not represent a commitment on the part of SPX FLOW, Inc.. No part of this document may be reproduced or transmitted in any form or by any means, electronic or mechanical, including photocopying and recording, for any purpose, without the express written permission of SPX FLOW, Inc.

Spare parts list:

RG4 - Pneum. Actuator MAT 3277 spring: closed or open with digital electro-pneumatic positioner 3730

Date:	16.08.11	23.10.13	24.07.15	28.02.17
Name:	Trylko	Trylko	Trylko	C.Keil
Approved by:	Knöchel	Knöchel	Knöchel	
Date:	31.01.23			
Name:	Shreshth			
Approved by:	Waltenb.			

MFS - Membrane actuator normally closed					MFH - Membrane actuator normally open						
Area [cm ²]	Set pressure [bar]	IP 3730-0	TROVIS 3730-1	IP 3730-3	IP 3730-4	Area [cm ²]	Set pressure [bar]	IP 3730-0	TROVIS 3730-1	IP 3730-3	IP 3730-4
120	1,4 - 2,3	000163140017 H314805	000163160017 H344914	000163140217 H320120	000163140317 H322753	120	0,2 - 1,0		000163161517 H344929		000163142817 H322760
175	1,7 - 3,3	000163160117 H344915	000163160217 H344916	000163160317 H344917	000163160417 H344918	175	0,2 - 1,0		000163161617 H344930	000163161717 H344931	000163161817 H344932
350	1,4 - 2,3	000163160517 H344919	000163160617 H344920	000163160717 H344921	000163160817 H344922	350	0,2 - 1,0		000163161917 H344933	000163162017 H344934	000163162117 H344935
350	2,1 - 3,3		000163160917 H344923	000163161017 H344924	000163161117 H344925	350	0,6 - 3,0				000163162217 H344936
750	1,4 - 2,4		000163161217 H344926	000163161317 H344927	000163161417 H344928	750	0,2 - 1,0				

MFS - Membrane actuator normally closed					MFH - Membrane actuator normally open				
Area [cm ²]	Set pressure [bar]	IP 3730-5	Area [cm ²]	Set pressure [bar]	IP 3730-5				
120	1,4 - 2,3	Found Fieldbus		0,2 - 1,0	Found Fieldbus				
175	1,7 - 3,3			0,2 - 1,0					
350	1,4 - 2,3			0,2 - 1,0					
350	2,1 - 3,3			0,6 - 3,0					
750	1,4 - 2,4			0,2 - 1,0					

Information contained in this document is subject to change without notice and does not represent a commitment on the part of SPX FLOW, Inc.. No part of this document may be reproduced or transmitted in any form or by any means, electronic or mechanical, including photocopying and recording, for any purpose, without the express written permission of SPX FLOW, Inc.

Spare parts list:

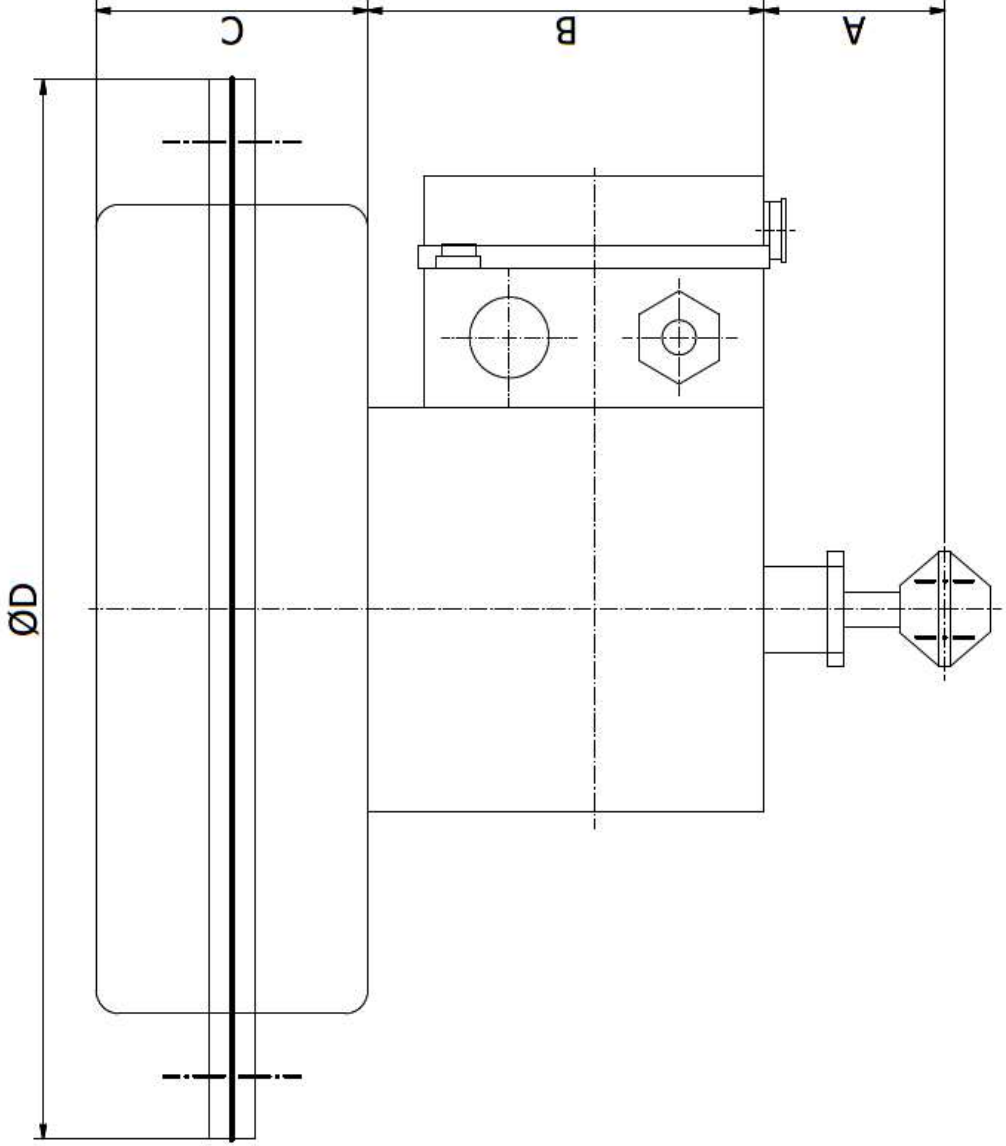
Date:	16.08.11	20.09.12	23.10.13	24.07.15
Name:	Tryko	Tryko	Tryko	Tryko
Approved by:	Knöchel	Knöchel	Knöchel	Knöchel
Date:	28.02.17	31.01.23		
Name:	C.Keil	Shreshth		
Approved by:		Waltenb.		

SPX FLOW

Page 1 of 2

RN 01.170.13-2

RG4 - Pneum. Actuator MAT 3277 spring closed and open with integrated, electro-pneumatic positioner IP 3725



Information contained in this document is subject to change without notice and does not represent a commitment on the part of SPX FLOW, Inc.. No part of this document may be reproduced or transmitted in any form or by any means, electronic or mechanical, including photocopying and recording, for any purpose, without the express written permission of SPX FLOW, Inc.

Spare parts list:

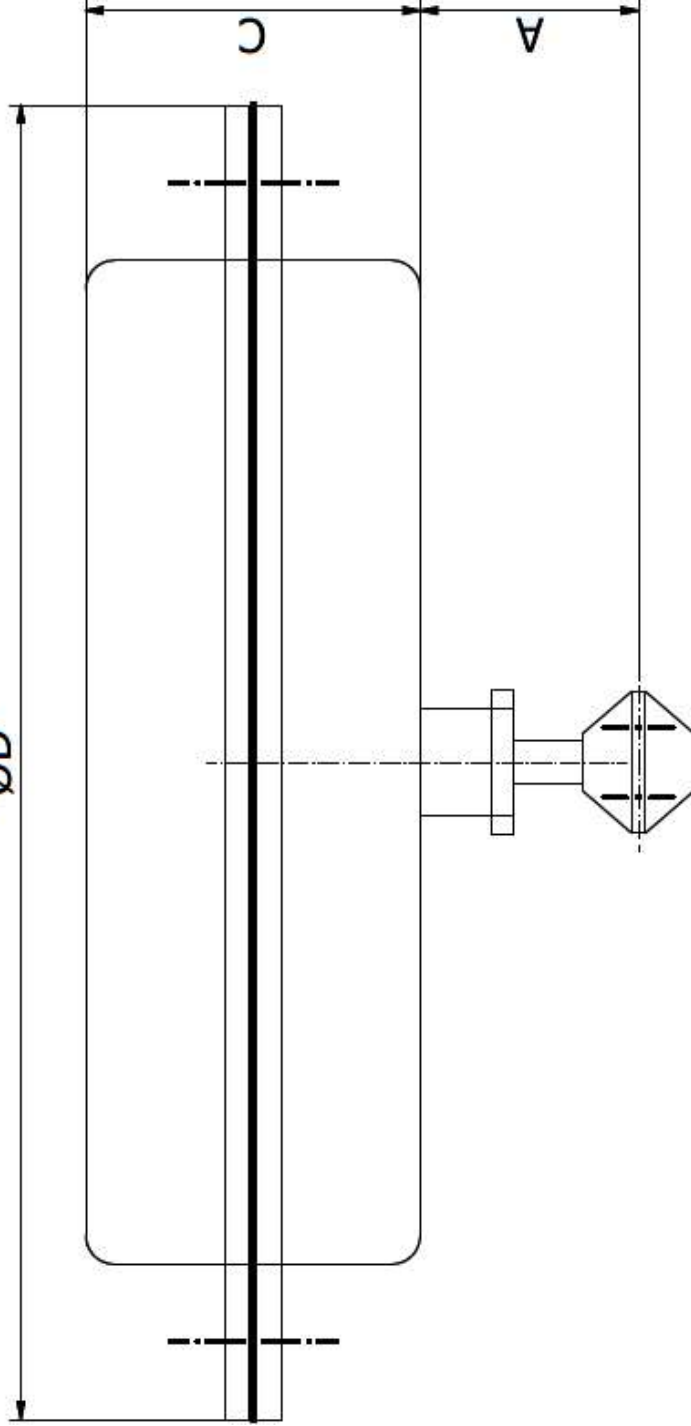
RG4 - Pneumatic actuator MAT 3271 spring closed or open

Date:	21.05.14	24.07.15	02.03.16	02.02.23
Name:	Trykko	Trykko	Trykko	Shreshth
Approved by:	Knöchel	Knöchel	Knöchel	Waltenb.
Date:				
Name:				
Approved by:				

Page 1 of 2

RN 01.170.13-3

ØD



Information contained in this document is subject to change without notice and does not represent a commitment on the part of SPX FLOW, Inc.. No part of this document may be reproduced or transmitted in any form or by any means, electronic or mechanical, including photocopying and recording, for any purpose, without the express written permission of SPX FLOW, Inc.

Date:	21.05.14	24.07.15	02.03.16	02.02.23
Name:	Trykko	Trykko	Trykko	Shreshth
Approved by:	Knöchel	Knöchel	Knöchel	Waltenb.
Date:				
Name:				
Approved by:				

Spare parts list:

RG4 - Pneumatic actuator MAT 3271 spring closed or open

Area [cm ²]	Stroke [mm]	Set pressure [bar]	MAT 3271 MFS	Set pressure [bar]	MAT 3271 MFH
120	15	1,4 - 2,3	000163174117 H169774	0,2 - 1,0	000163174217 H171473
175	15	1,7 - 3,3	000163165817 H344965	0,2 - 1,0	000163166317 H344969
350	15	1,4 - 2,3	000163165917 H344966	0,2 - 1,0	000163166417 H344970
350	15	2,1 - 3,3	000163166117 H344967		
750	30	1,4 - 2,4	000163166217 H344968	0,2 - 1,0	000163166617 H344971
Installing dimension					
Area [cm ²]	A [mm]	B [mm]	øD [mm]	Stroke [mm]	
120	75	70	168	15	
175	75	78	215	15	
350	75	81	280	15	
750	90	139	394	30	

To be used with:
 Positioner IP 763 (electro-pneumatic): H66919
 And drive plate complete: H162486

SPX FLOW

Page 2 of 2

RN 01.170.13-3

Information contained in this document is subject to change without notice and does not represent a commitment on the part of SPX FLOW, Inc.. No part of this document may be reproduced or transmitted in any form or by any means, electronic or mechanical, including photocopying and recording, for any purpose, without the express written permission of SPX FLOW, Inc.

Spare parts list:

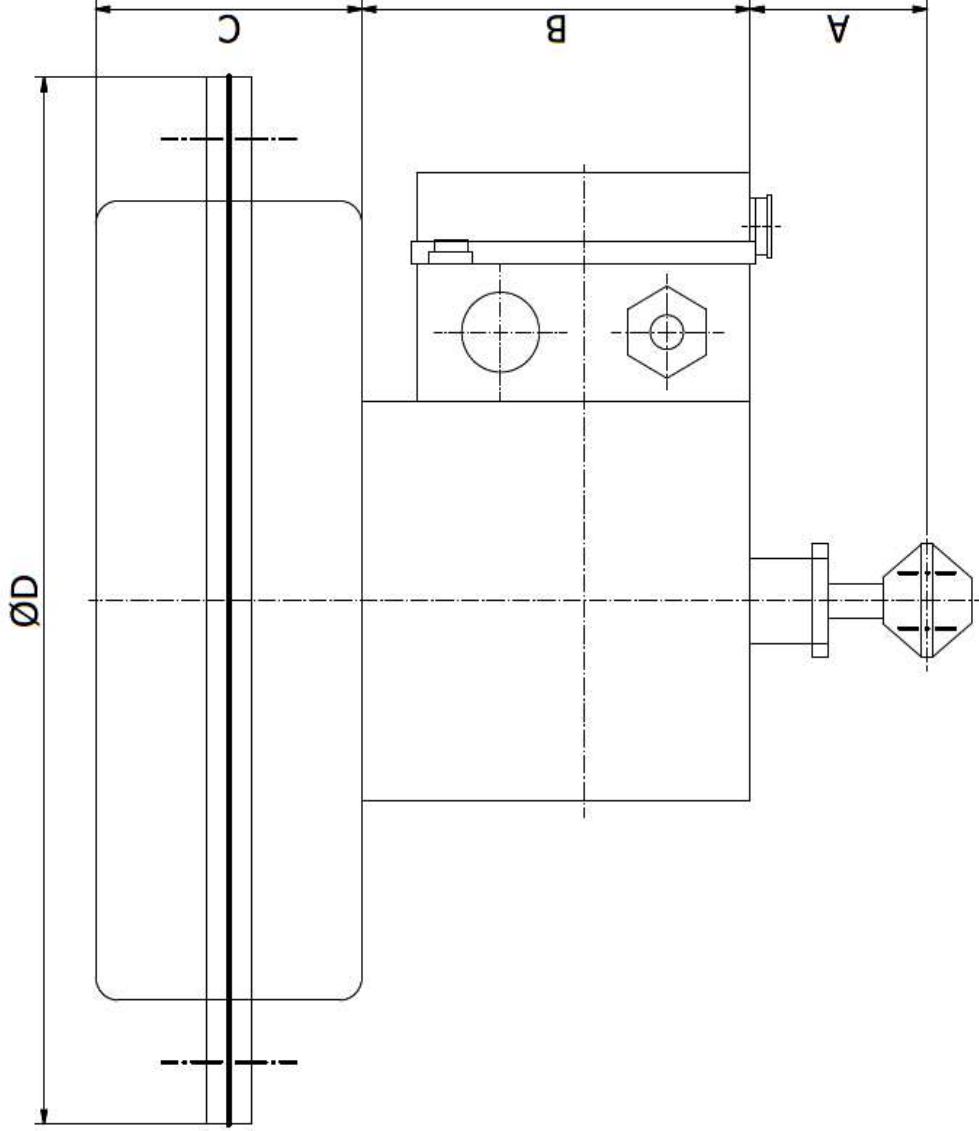
**RG4 - Pneumatic actuator MAT 3277 spring closed or open
with digital el. -pneum. positioner IP 3730-2 special designs**

Date:	13.02.15	24.07.15	10.02.23
Name:	Tryko	Tryko	Shreshth
Approved by:	Knöchel	Knöchel	Wallenb.
Date:			
Name:			
Approved by:			

SPX FLOW

Page 1 of 2

RN 01.170.13-4



Information contained in this document is subject to change without notice and does not represent a commitment on the part of SPX FLOW, Inc.. No part of this document may be reproduced or transmitted in any form or by any means, electronic or mechanical, including photocopying and recording, for any purpose, without the express written permission of SPX FLOW, Inc.

Parts substitution list:

RG41

**Parts substitution list in case of kvs-value change
(linear and equal-percentage characteristics)**

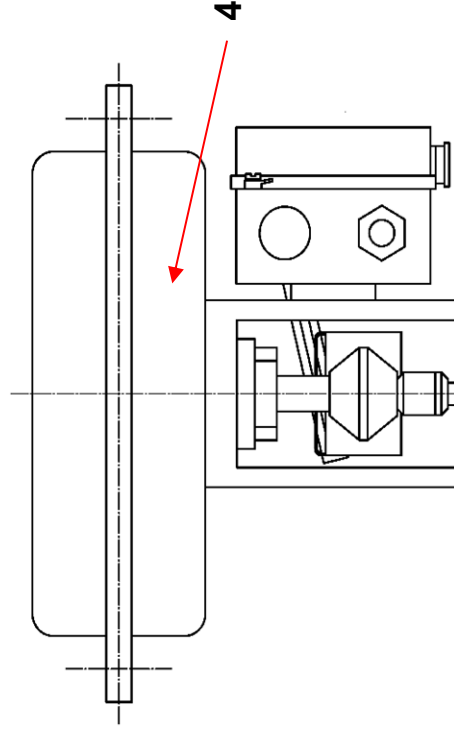
Date:	1997-01-15	2000-04-10	2007-09-28
Name:	Trytko	Trytko	A.Schulz
Approved by:	Knöchel/Pl.	Knöchel	Knöchel
Date:	2008-02-27	2013-01-09	2023-07-31
Name:	Trytko	Trytko	Shreshth
Approved by:	Knöchel	Knöchel	Waltenb.

SPX FLOW

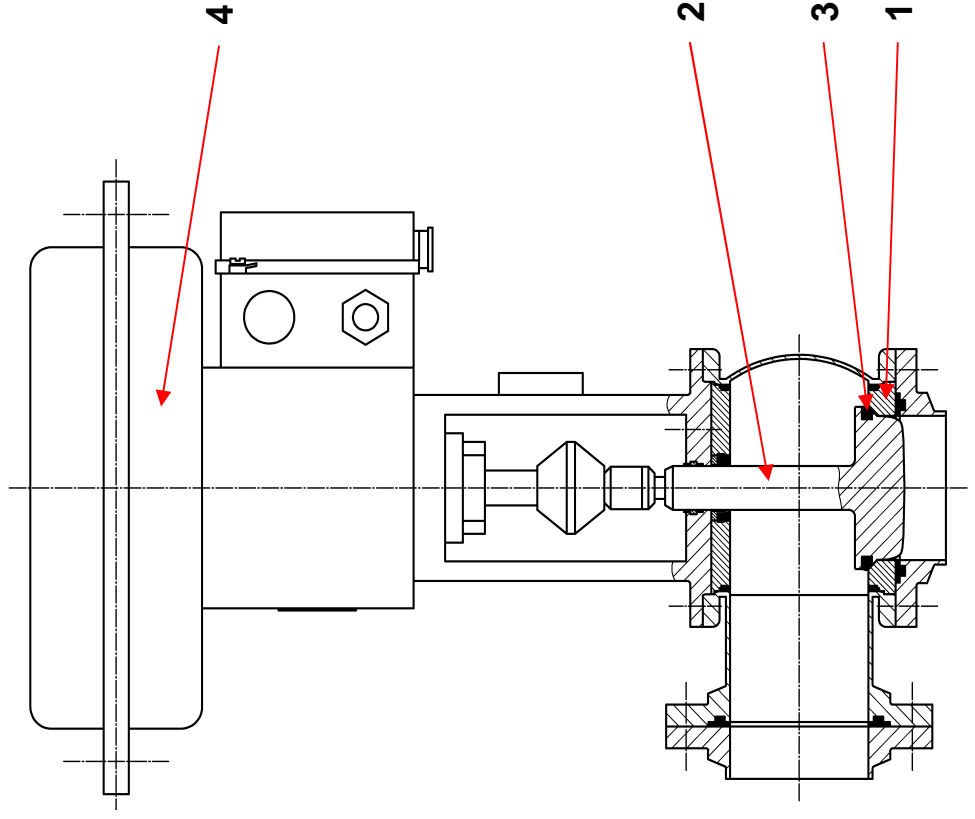
Page 1 of 9

RN 261.558

MAT 3271



MAT 3277



Information contained in this document is subject to change without notice and does not represent a commitment on the part of SPX FLOW, Inc.. No part of this document may be reproduced or transmitted in any form or by any means, electronic or mechanical, including photocopying and recording, for any purpose, without the express written permission of SPX FLOW, Inc.

Parts substitution list:

RG41 - DN25 / 1"

**Parts substitution list in case of kvs-value change
(linear and equal-percentage characteristics)**

Date:	1997-01-15	2000-04-10	2007-09-28
Name:	Trytko	Trytko	A.Schulz
Approved by:	Knöchel/Pl.	Knöchel	Knöchel
Date:	2008-02-27	2013-01-09	2023-07-31
Name:	Trytko	Trytko	Wallenb.
Approved by:	Knöchel	Knöchel	Schulz

SPX FLOW

Page 2 of 9

RN 261.558

Size	kvs value [m³/h]	(1) Valve seat	(1) Valve seat with punched cage	(2) Valve shaft		(3) Seat seal	(4) Diaphragm actuator MFS (actuator stem extends) or MFH (actuator stem retracts) MAT 3271 or MAT 3277
				linear characteristics	equal-percentage characteristics		
DN25 / 1"	0,25	RG4-25/Ø4 H160650	-	RG41-25/0,25 L H160658	RG41-25/0,25 G H160657	without	
			-	RG41-25/0,4 L H160666	RG41-25/0,4 G H159245	without	
	0,63	RG4-25/Ø8 H126717	-	RG41-25/0,63 L H160668	RG41-25/0,63 G H159244	without	
			RG4-25/Ø8 D H179615	RG4-25/Ø8 LK H179830	RG41-25/0,63 LD H179617	EPDM H77445 HNBR H172173 FPM H77444 VMQ H77443	
	1,0	RG4-25/Ø8 H126717	-	RG41-25/1,0 L H160669	RG41-25/1,0 G H159243	without	
			RG4-25/Ø8 D H179615	RG4-25/Ø8 LK H179830	RG41-25/1,0 LD H179618	EPDM H77445 HNBR H172173 FPM H77444 VMQ H77443	
1,6	RG4-25/Ø8 H126717	-	RG41-25/1,6 L H159401	RG41-25/1,6 G H159140	without		
		RG4-25/Ø8 D H179615	RG4-25/Ø8 LK H179830	RG41-25/1,6 LD H179620	EPDM H77445 HNBR H172173 FPM H77444 VMQ H77443		
2,5	RG4-25/Ø13 D H126716	RG4-25/Ø13 LK H146941	RG41-25/2,5 LD H159476	RG41-25/2,5 GD H159141	without		
		RG4-25/Ø26 D H33476	RG4-25/Ø26 LK H146768	RG41-25/4,0 LD H159477	EPDM H77445 HNBR H172173 FPM H77444 VMQ H77443		
4,0	RG4-25/Ø13 D H126716	RG4-25/Ø13 LK H146941	RG41-25/6,3 LD H159478	RG41-25/6,3 GD H159143	without		
		RG4-25/Ø26 D H33476	RG4-25/Ø26 LK H146768	RG41-25/10 LD H159479	EPDM H77445 HNBR H172173 FPM H77444 VMQ H77443		
6,3	RG4-25/Ø13 D H126716	RG4-25/Ø13 LK H146941	RG41-25/6,3 LD H159478	RG41-25/6,3 GD H159143	without		
		RG4-25/Ø26 D H33476	RG4-25/Ø26 LK H146768	RG41-25/10 LD H159479	EPDM H77445 HNBR H172173 FPM H77444 VMQ H77443		
10	RG4-25/Ø13 D H126716	RG4-25/Ø13 LK H146941	RG41-25/6,3 LD H159478	RG41-25/6,3 GD H159143	without		
		RG4-25/Ø26 D H33476	RG4-25/Ø26 LK H146768	RG41-25/10 LD H159479	EPDM H77445 HNBR H172173 FPM H77444 VMQ H77443		

120 cm²

Information contained in this document is subject to change without notice and does not represent a commitment on the part of SPX FLOW, Inc.. No part of this document may be reproduced or transmitted in any form or by any means, electronic or mechanical, including photocopying and recording, for any purpose, without the express written permission of SPX FLOW, Inc.

Size		kvs value [m³/h]		(1) Valve seat	(1) Valve seat with punched cage	(2) Valve shaft		(3) Seat seal	(4) Diaphragm actuator MFS (actuator stem extends) or MFH (actuator stem retracts) MAT 3271 or MAT 3277
		2,5	4,0			linear characteristics	equal-percentage characteristics		
DN40 / 1,5"		2,5	4,0	RG4-40/Ø13 D H126762	RG4-40/Ø13 LK H144862	RG41-25/2,5 LD H159476	RG41-25/2,5 GD H159141	EPDM HNBR FPM VMQ	
						RG41-25/4,0 LD H159477	RG41-25/4,0 GD H159142		
		RG41-25/6,3 LD H159478	RG41-25/6,3 GD H159143	H77445 H172173 H77444 H77443					
		RG41-25/10 LD H159479	RG41-25/10 GD H159144						
		16	RG4-40/Ø38 D H33480	RG4-40/Ø38 LK H148260	RG41-40/16 LD H159480	RG41-40/16 GD H159145	EPDM HNBR FPM VMQ	H77470 H172175 H77469 H77468	
					RG41-40/25 LD H159481	RG41-40/25 GD H159146			120 cm² 175 cm² 350 cm²
		25							

Parts substitution list:

RG41 - DN40 / 1,5"

Parts substitution list in case of kvs-value change
(linear and equal-percentage characteristics)

Date:

1997-01-15

2000-04-10

2007-09-28

Name:

Trytko

A. Schulz

Approved by:

Knöchel

Knöchel

Date:

2013-01-09

2023-07-31

Name:

Trytko

Waltenb.

Approved by:

Knöchel

Schulz

Page 3 of 9

RN 261.558

SPX FLOW

Information contained in this document is subject to change without notice and does not represent a commitment on the part of SPX FLOW, Inc.. No part of this document may be reproduced or transmitted in any form or by any means, electronic or mechanical, including photocopying and recording, for any purpose, without the express written permission of SPX FLOW, Inc.

Size		kvs value [m³/h]		(1) Valve seat	(1) Valve seat with punched cage	(2) Valve shaft		(3) Seat seal	(4) Diaphragm actuator MFS (actuator stem extends) or MFH (actuator stem retracts) MAT 3271 or MAT 3277	
		6,3	10			linear characteristics	equal-percentage characteristics			
DN50 / 2"		6,3		RG4-50/Ø26 D H33481	RG4-50/Ø26 LK H149114	RG41-25/6,3 LD H159478	RG41-25/6,3 GD H159143	EPDM H77445 HNBR H172173 FPM H77444 VMQ H77443	120 cm² 175 cm²	
						RG41-25/10 LD H159479	RG41-25/10 GD H159144			
		16		RG4-50/Ø38 D H33482	RG4-50/Ø38 LK H141521	RG41-40/16 LD H159480	RG41-40/16 GD H159145	EPDM H77470 HNBR H172175 FPM H77469 VMQ H77468		120 cm² 175 cm² 350 cm²
						RG41-40/25 LD H159481	RG41-40/25 GD H159146			
		40		RG4-50/Ø50 D H33483	RG4-50/Ø50 LK H144859	RG41-50/40 LD H159482	RG41-50/40 GD H159147	EPDM H77494 HNBR H165709 FPM H77493 VMQ H77492		

Parts substitution list:

RG41 - DN50 / 2"

**Parts substitution list in case of kvs-value change
(linear and equal-percentage characteristics)**

Date:	1997-01-15	2000-04-10	2007-09-28
Name:	Trytko	Trytko	A.Schulz
Approved by:	Knöchel/Pl.	Knöchel	Knöchel
Date:	2008-02-27	2013-01-09	2023-07-31
Name:	Trytko	Trytko	Waltenb.
Approved by:	Knöchel	Knöchel	Schulz

Information contained in this document is subject to change without notice and does not represent a commitment on the part of SPX FLOW, Inc.. No part of this document may be reproduced or transmitted in any form or by any means, electronic or mechanical, including photocopying and recording, for any purpose, without the express written permission of SPX FLOW, Inc.

Size		kvs value [m³/h]		(1) Valve seat	(1) Valve seat with punched cage	(2) Valve shaft		(3) Seat seal	(4) Diaphragm actuator MFS (actuator stem extends) or MFH (actuator stem retracts) MAT 3271 or MAT 3277
		16	25			linear characteristics	equal-percentage characteristics		
DN65 / 2,5"	16	25	RG4-65/Ø38 D H33484	RG4-65/Ø38 LK H141524	RG41-40/16 LD H159480	RG41-40/16 GD H159145	EPDM HNBR FPM VMQ	H77470 H172175 H77469 H77468	175 cm² 350 cm²
			RG4-65/Ø50 D H33485	RG4-65/Ø50 LK H151522	RG41-50/40 LD H159482	RG41-50/40 GD H159147	EPDM HNBR FPM VMQ	H77494 H165709 H77493 H77492	
	63	RG4-65/Ø66 D H33486	RG4-65/Ø66 LK H148263	RG41-65/63 LD H159483	RG41-65/63 GD H159148	EPDM HNBR FPM VMQ	H77518 H172178 H77517 H77516		
2,5"	63			RG41-2,5"/63 LD H321259	RG41-2,5"/63 GD H321260				

Parts substitution list:

RG41 - DN65 / 2,5"
Parts substitution list in case of kvs-value change
(linear and equal-percentage characteristics)

Date:	1997-01-15	2000-04-10	2007-09-28
Name:	Trytko	Trytko	A. Schulz
Approved by:	Knöchel/Pl.	Knöchel	Knöchel
Date:	2008-02-27	2013-01-09	2023-07-31
Name:	Trytko	Trytko	Waltenb.
Approved by:	Knöchel	Knöchel	Schulz

SPX FLOW

Page 5 of 9

RN 261.558

Information contained in this document is subject to change without notice and does not represent a commitment on the part of SPX FLOW, Inc.. No part of this document may be reproduced or transmitted in any form or by any means, electronic or mechanical, including photocopying and recording, for any purpose, without the express written permission of SPX FLOW, Inc.

Size		kvs value [m³/h]		(1) Valve seat	(1) Valve seat with punched cage	(2) Valve shaft		(3) Seat seal	(4) Diaphragm actuator MFS (actuator stem extends) or MFH (actuator stem retracts) MAT 3271 or MAT 3277
		16	25			linear characteristics	equal-percentage characteristics		
DN80	16	RG4-80/Ø38 D H105569		RG4-80/Ø38 LK H167160	RG41-40/16 LD H159480	RG41-40/16 GD H159145	EPDM	H77470	
							HNBR	H172175	
DN80	25	RG4-80/Ø50 D H33487		RG4-80/Ø50 LK H141525	RG41-40/25 LD H159481	RG41-40/25 GD H159146	FPM	H77469	
		RG4-3"/Ø50 D H33511					VMQ	H77468	
3"	40	RG4-80/Ø66 D H33488		RG4-80/Ø66 LK H141523	RG41-50/40 LD H159482	RG41-50/40 GD H159147	EPDM	H77494	
		RG4-3"/Ø66 D H147062					HNBR	H165709	
DN80	63	RG4-80/Ø66 D H147062		RG4-3"/Ø66 LK H159599	RG41-65/63 LD H159483	RG41-65/63 GD H159148	FPM	H77493	
							VMQ	H77492	
3"	80	RG4-3"/Ø3" D H33512		RG4-3"/Ø3" LK H160041	RG41-3"/80 LD H159763	RG41-3"/80 GD H159762	EPDM	H77518	
							HNBR	H172178	
DN80	100	RG4-80/Ø81 D H33489		RG4-80/Ø81 LK H148265	RG41-80/100 LD H159309	RG41-80/100 GD H159149	FPM	H77517	
							VMQ	H77516	
							EPDM	H77564	
							HNBR	H176688	
							FPM	H77563	
							VMQ	H77562	
							EPDM	H77549	
							HNBR	H172180	
							FPM	H77548	
							VMQ	H77547	

175 cm²
350 cm²

Parts substitution list:

RG41 - DN80 / 3"

**Parts substitution list in case of kvs-value change
(linear and equal-percentage characteristics)**

Date:	1997-01-15	2000-04-10	2007-09-28
Name:	Trytko	Trytko	A. Schulz
Approved by:	Knöchel/Pl.	Knöchel	Knöchel
Date:	2008-02-27	2013-01-09	2023-07-31
Name:	Trytko	Trytko	Waltenb.
Approved by:	Knöchel	Knöchel	Schulz

SPX FLOW

Page 6 of 9

RN 261.558

Information contained in this document is subject to change without notice and does not represent a commitment on the part of SPX FLOW, Inc.. No part of this document may be reproduced or transmitted in any form or by any means, electronic or mechanical, including photocopying and recording, for any purpose, without the express written permission of SPX FLOW, Inc.

Size		kvs value [m³/h]	Parts substitution list:			Date: 1997-01-15			2000-04-10			2007-09-28			SPX FLOW		
			(1) Valve seat	(1) Valve seat with punched cage	(2) Valve shaft		(3) Seat seal			(4) Diaphragm actuator							
			linear characteristics	equal-percentage characteristics	MFS (actuator stem extends) or MFH (actuator stem retracts) MAT 3271 or MAT 3277												
DN100 / 4"	63	RG4-100/Ø66 D H33490	RG4-100/Ø66 LK H149005	RG41-65/63 LD H159483	RG41-65/63 GD H159148	EPDM HNBR FPM VMQ	H77518 H172178 H77517 H77516	175 cm² 350 cm²	2008-02-27	2013-01-09	2023-07-31	1997-01-15	2000-04-10	2007-09-28	Page 7 of 9		
	100	RG4-100/Ø81 D H125799	RG4-100/Ø81 LK H141526	RG41-80/100 LD H159309	RG41-80/100 GD H159149	EPDM HNBR FPM VMQ	H77549 H172180 H77548 H77547		Trytko Knöchel	Trytko Knöchel	Waltenb. Schulz	Trytko Knöchel	Trytko Knöchel	A.Schulz Knöchel	2007-09-28		
	160 Stroke: 15mm	RG4-100/Ø100 D H125798	RG4-100/Ø100 LK H152311	RG4-100/160 LD H167867	RG4-100/160 GD H175422	EPDM HNBR FPM VMQ	H77589 H171183 H77588 H77587	350 cm²	2008-02-27	2013-01-09	2023-07-31	1997-01-15	2000-04-10	2007-09-28			
	160 Stroke: 30mm			RG4-100/160 LD H159484	RG4-100/160 GD H159151				2008-02-27	2013-01-09	2023-07-31	1997-01-15	2000-04-10	2007-09-28			

Information contained in this document is subject to change without notice and does not represent a commitment on the part of SPX FLOW, Inc.. No part of this document may be reproduced or transmitted in any form or by any means, electronic or mechanical, including photocopying and recording, for any purpose, without the express written permission of SPX FLOW, Inc.

Size		kvs value [m³/h]	(1) Valve seat	(1) Valve seat with punched cage	(2) Valve shaft		(3) Seat seal	(4) Diaphragm actuator MFS (actuator stem extends) or MFH (actuator stem retracts) MAT 3271 or MAT 3277
					linear characteristics	equal-percentage characteristics		
Parts substitution list: RG41 - DN125 Parts substitution list in case of kvs-value change (linear and equal-percentage characteristics)								
DN125	63	RG4-125/Ø66 D H160629	-	RG41-65/63 LD H159483	RG41-65/63 GD H159148	EPDM HNBR FPM VMQ	H77518 H172178 H77517 H77516	350 cm²
	160 Stroke: 15mm	RG4-125/Ø100 D H159974	RG4-125/Ø100 LK H204286	RG4-100/160 LD H167867	RG4-100/160 GD H175422	EPDM HNBR FPM VMQ	H77589 H171183 H77588 H77587	
								160 Stroke: 30mm
	250 Stroke: 30mm	RG4-125/Ø125 D H202130	RG41-125/250 LD H205833	RG4-125/250 LD H202134	RG4-125/250 GD H205833	EPDM HNBR FPM VMQ	H77614 H172189 H77613 H77612	
								750 cm²

Date:	1997-01-15	2000-04-10	2007-09-28
Name:	Trytko	Trytko	A.Schulz
Approved by:	Knöchel/Pl.	Knöchel	Knöchel
Date:	2008-02-27	2013-01-09	2023-07-31
Name:	Trytko	Trytko	Waltenb.
Approved by:	Knöchel	Knöchel	Schulz

Page	8	of	9
RN 261.558			

SPX FLOW

Information contained in this document is subject to change without notice and does not represent a commitment on the part of SPX FLOW, Inc.. No part of this document may be reproduced or transmitted in any form or by any means, electronic or mechanical, including photocopying and recording, for any purpose, without the express written permission of SPX FLOW, Inc.

Parts substitution list:

RG41 - DN150

**Parts substitution list in case of kvs-value change
(linear and equal-percentage characteristics)**

Date:	1997-01-15	2000-04-10	2007-09-28
Name:	Trytko	Trytko	A.Schulz
Approved by:	Knö./Pl.	Knöchel	Knöchel
Date:	2008-02-27	2013-01-09	2023-07-31
Name:	Trytko	Trytko	Waltenb.
Approved by:	Knöchel	Knöchel	Schulz

SPX FLOW

Page 9 of 9

RN 261.558

Size	kvs value [m³/h]	(1) Valve seat	(1) Valve seat with punched cage	(2) Valve shaft		(3) Seat seal	(4) Diaphragm actuator MFS (actuator stem extends) or MFH (actuator stem retracts) MAT 3271 or MAT 3277
				linear characteristics	equal-percentage characteristics		
DN150	160 Stroke: 30mm	RG4-150/Ø100 D H320358	-	RG4-100/160 LD H159484	RG4-100/160 GD H159151	EPDM H77589 HNBR H171183 FPM H77588 VMQ H77587	
	250 Stroke: 30mm	RG4-150/Ø125 D H205812	RG4-150/Ø125 LK H205815	RG41-125/250 LD H202134	RG41-125/250 GD H205833	EPDM H77614 HNBR H172189 FPM H77613 VMQ H77612	750 cm²
	400 Stroke: 30mm	RG4-150/Ø150 D H205814	-	RG41-150/400 LD H329845	-	EPDM H77631 HNBR H172190 FPM H77630 VMQ H77629	

APVÁRG4Á

MODULATING VALVE

SPXFLOW

SPX FLOW

Design Center

Gottlieb-Daimler-Straße 13
D-59439 Holzwickede, Germany
P: (+49) (0) 2301-9186-0
F: (+49) (0) 2301-9186-300

SPX FLOW

Production

Stanisława Jana Rolbieskiego 2
PL- Bydgoszcz 85-862, Poland
P: (+48) 52 566 76 00
F: (+48) 52 525 99 09

SPX FLOW reserves the right to incorporate the latest design and material changes without notice or obligation.

Design features, materials of construction and dimensional data, as described in this manual, are provided for your information only and should not be relied upon unless confirmed in writing. Please contact your local sales representative for product availability in your region. For more information visit www.spxflow.com.

ISSUED 09/2017 - Translation of original manual

COPYRIGHT ©2017 SPX FLOW, Inc.