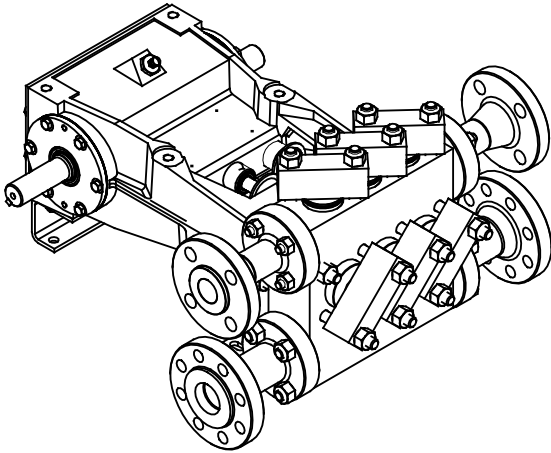


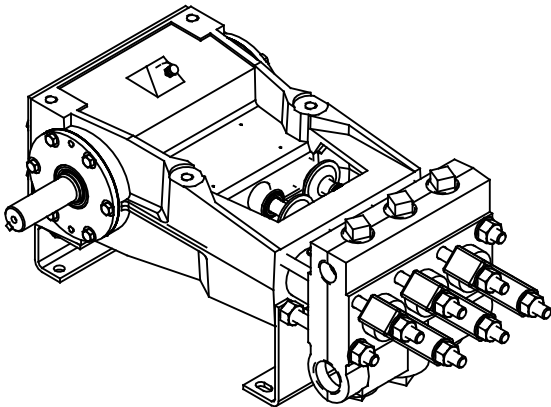
Mo6 Plunger Pump Data

16.6 BHP Continuous Duty (20.9 BHP Intermittent Duty)

Forged ISO Drawing



Cast ISO Drawing



Specifications

Pump Model	Mo6
Design Standard	API-674, Second Edition
Configuration	Horizontal Triplex Plunger
Number of Plungers	3
Stroke Length	1.5 Inches
Frame Load Rating	2,700 lbs
Forged Fluid Cylinder Pressure Rating	10,000 psi
Cast Fluid Cylinder Pressure Rating	3,000 psi
Pump Weight (Average)	245 lbs
Intermittent Duty Speed Rating	600 RPM
Continuous Duty Speed Rating	475 RPM
API-674 Max Recommended Speed	475 RPM
Minimum Speed *	100 RPM
Mechanical Efficiency	90%
Lubrication System (Standard)	Splash, Gravity Return
Lubrication System (Optional)	Pressurized, Motor Driven
Lube Oil Capacity	2 Quarts
Lube Oil Type	SAE 30
Maximum Fluid Temperature	200 °F (400 °F Capability)
Minimum Fluid Temperature	-20 °F (-50 °F Capability)
Valve Types	Disc Valves, Abrasion Resistant Valves

* Slower RPM can be achieved with the addition of a pressurized lubrication system

Forged Fluid End Material	Cast Fluid End Material
A105 Carbon Steel	Ductile Iron
A350-LF2 Carbon Steel	Nickel Aluminum Bronze
316L Stainless Steel	316L Stainless Steel
2205 Duplex Stainless Steel	2205 Duplex Stainless Steel

* Special Materials available on request

Standard Connection Sizes	Suction	Discharge
Mo604-Mo607	1.5	0.75
Mo608-Mo615	1.5	1.0
Mo608-Mo615 HV	2.0	1.5

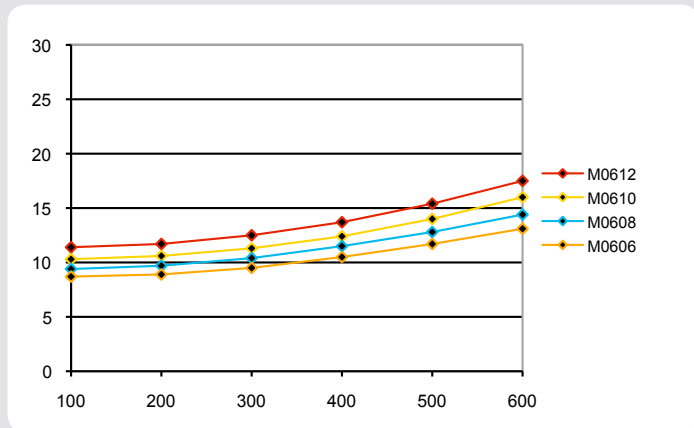
* NPT Connections Available

- Consult FMC for specific exceptions to API-674 and NACE standards.
- Consult FMC for any application where inlet pressures will exceed 10% of rated discharge pressure.
- Horsepower based on 90% mechanical efficiency. Actual application horsepower requirements can be calculated using the equation: $BHP = (GPM * PSI) / (1714 * 0.90)$
- Direction of rotation is the top of the crankshaft towards the fluid head.

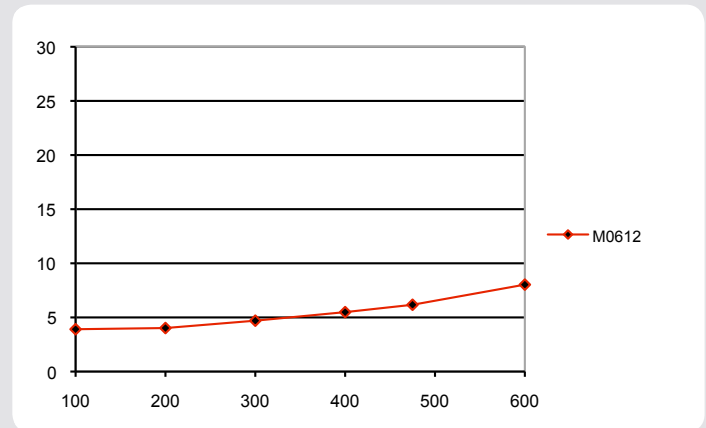
Mo6 Performance Table

Pump Model	Plunger Diameter (in)	Displacement (GAL/REV)	Maximum Pressure (PSI)	Pump Capacity (GPM) @ Input Speed (RPM)						
				100 RPM	200 RPM	300RPM	400RPM	475RPM	500RPM	600RPM
Mo604	0.500	0.0038	10,000	0.4	0.8	1.1	1.5	1.8	1.9	2.3
Mo605	0.625	0.0060	8,800	0.6	1.2	1.8	2.4	2.9	3.0	3.6
Mo606	0.750	0.0086	6,100	0.9	1.7	2.6	3.4	4.1	4.3	5.2
Mo608	1.000	0.0153	3,400	1.5	3.1	4.6	6.1	7.3	7.7	9.2
Mo610	1.250	0.0239	2,200	2.4	4.8	7.2	9.6	11.4	12.0	14.3
Mo612	1.500	0.0344	1,500	3.4	6.9	10.3	13.8	16.3	17.2	20.6
Mo614	1.750	0.0469	1,120	4.7	9.4	14.1	18.8	22.3	23.5	28.1
Mo615	1.875	0.0538	1,000	5.4	10.8	16.1	21.5	25.6	26.9	32.3

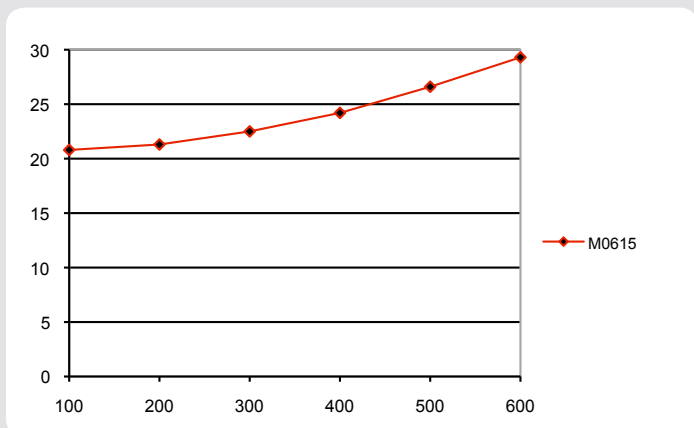
Mo6 NPSHr values for Disc Valves with 1-spring (Standard Stiffness)



Mo612 NPSHr values for Disc Valves with 1-spring (Large Flow Valves)



Mo615 NPSHr values for Disc Valves with 1-spring



Mo606 - Mo612

Standard Disc Valve Spring = 5262783

Mo606 - Mo612

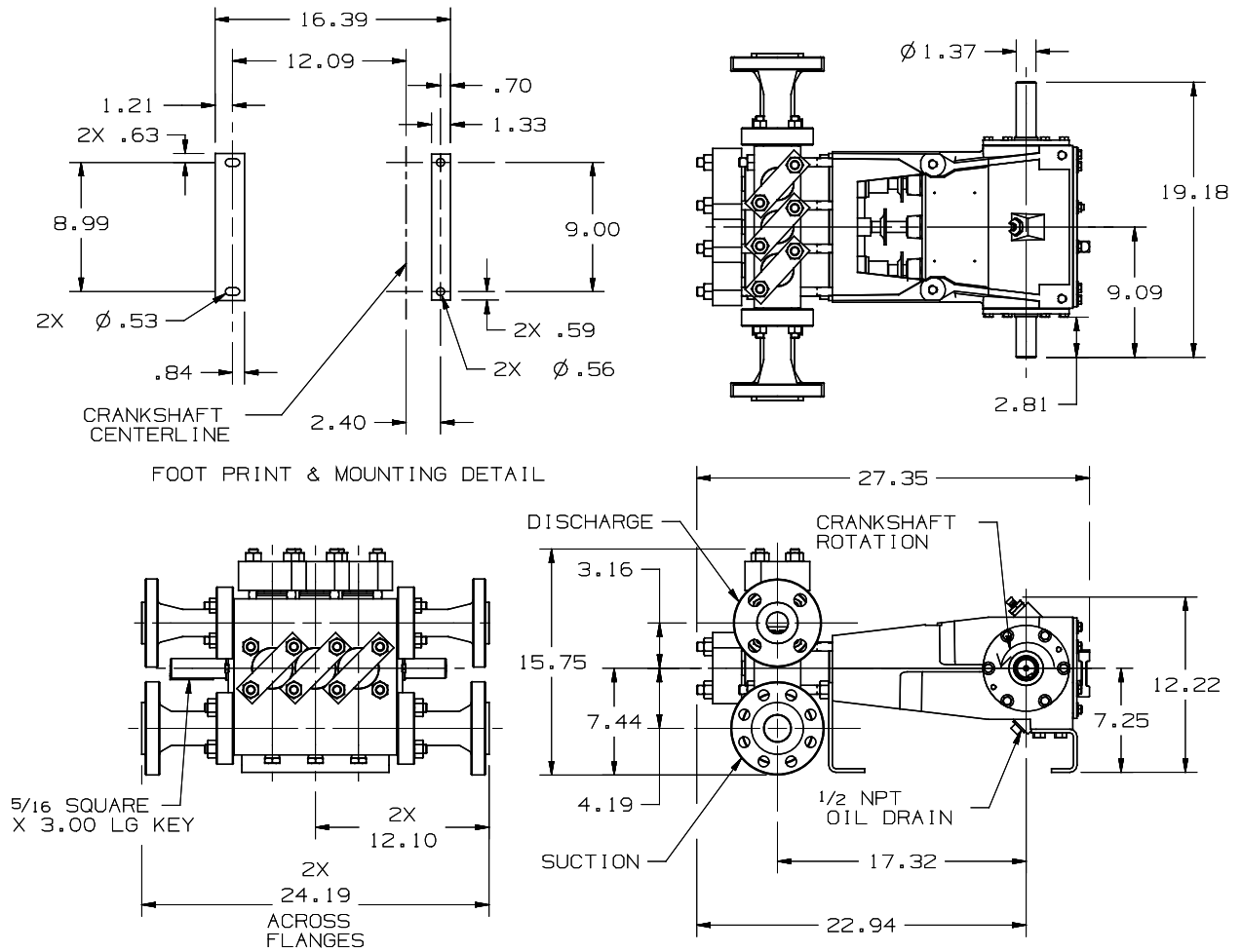
Stiff Disc Valve Spring = 5264908 (add 5 ft. to NPSH values)

- Pump capacities shown are based on 100% volumetric efficiency.
- FMC recommends NPSHa (available) exceeds NPSHr (required) by 5 feet of water.
- Take special consideration when calculating NPSHa. Recalculate NPSHa after pump model has been selected for more accurate values.
- NPSHr values are in feet of water. If you are pumping a different liquid than water, convert the required NPSH from water to the liquid being pumped by dividing the published NPSHr value by the specific gravity of the liquid being pumped.
- FMC published NPSHr values are based on test data collected on specific pumps at the factory and are estimated values. Actual NPSHr values for an ordered pump can only be determined by a factor test. For NPSH critical applications, contact the factory for additional information and request an NPSHr test performed on your pump before shipment.

Mo6 Plunger Pump Data

16.6 BHP Continuous Duty (20.9 BHP Intermittent Duty)

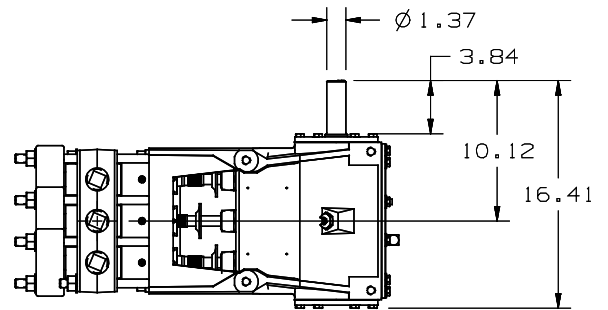
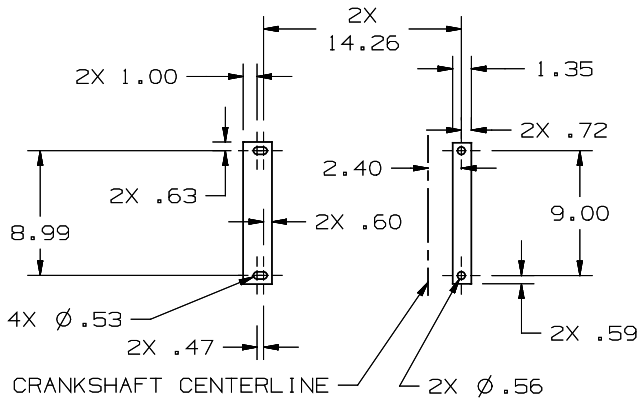
Forged Pump Engineering Dimensional Outline



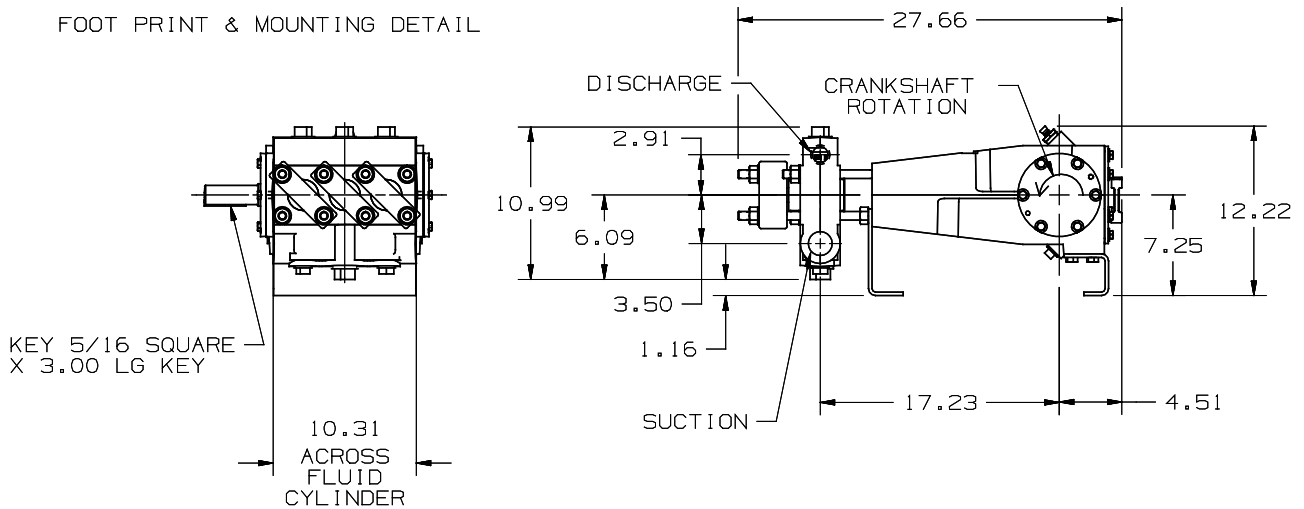
Mo6 Plunger Pump Data

16.6 BHP Continuous Duty (20.9 BHP Intermittent Duty)

Cast Pump Engineering Dimensional Outline



FOOT PRINT & MOUNTING DETAIL



KEY 5/16 SQUARE
 X 3.00 LG KEY

• Dimensions shown are for general sizing purposes and should not be used of construction. Contact FMC for actual dimensions of pump ordered.

• FMC reserves the right to modify this information without prior notice.

• Pump drawing dimensions in inches.