

TLP Series

SANITARY ROTARY LOBE PUMP



For more than half a century, SPX FLOW has been a leader in the design, manufacture and application of positive displacement pumps. SPX FLOW is dedicated to raising productivity, product quality and profitability for its equipment and systems customers.

From this dedication has come advancements in equipment development and applications; advancements that have changed the way designers solve problems. SPX FLOW PD pumps are in thousands of challenging sanitary, chemical and industrial applications around the world.

Based in Charlotte, North Carolina, SPX FLOW (NYSE: FLOW) is a multi-industry manufacturing company with operations in more than 35 markets worldwide. SPX FLOW's innovative, world-class products and highly-engineered solutions are helping to meet the needs of a constantly developing world and growing global population. You'll find our innovative solutions in everything from dairy plants and power plants to oil and gas pipelines, and the power grid. SPX FLOW is really everywhere you look.

We help our customers around the globe expand and enhance their food and beverage, power and energy and industrial production processes. For more information, please visit www.spxflow.com

TLP Sanitary Rotary Lobe Pump with optimal efficiency

OPERATIONAL FEATURES

- Smooth flow
- Gentle product handling
- Dry running ability with double seal
- Handles low and high viscosity products
- Simple maintenance
- Hygienic design
- Low sound level
- CIP capability standard
- Free draining pump housing
- Unique rotor attachment
- Robust construction
- Process flexibility
- Single mechanical seals standard. Optional double mechanical seals also available
- Grease lubricated bearings for positive lubrication over speed, temperature



INSTALLATION FEATURES

- Bi-directional flow
- Easy service and maintenance
- Horizontal or vertical mounting
- Easy to disassemble and reassemble
- 316L stainless steel pump body and cover
- Versatile 4-way mounting of gear case, including vertical alignment of ports

PRODUCT BENEFITS

- Pumps with flushed double mechanical seals can run dry indefinitely
- Very low shear, product not damaged during pumping
- No internal rotor contact
- Large fluid cavities can pump liquids with large solids
- No cross-contamination of lubricating oil into product zone due to unique gear case design
- Pumps are energy efficient and easily cleaned, maintained and repaired



Typical Product Applications

BAKERY

Batters; Flavorings; Frostings; Fruit Fillings; Fats & Oils; Sweeteners; Yeast Slurry



BEVERAGE

Beer, Wort, Yeast; Soft Drinks; Fruit Concentrates; Fruit Drinks



CANNING

Baby Foods, Soups, Stews; Tomato Paste; Fruit Puree; Vegetables, Diced, Slurries; Puddings, Jams, Jellies; Salad Dressings, Mayonnaise



CONFECTIONERY

Syrups; Cream Fillings; Chocolate



COSMETICS

Face Creams & Lotions; Hair Styling Gels & Liquids; Essential Oils; Dyes & Alcohols



DAIRY

Cream, Milk; Cheese Curd & Whey; Cottage Cheese; Yogurt



MEAT PACKING

Meat Emulsions; Ground Meats; Pet Foods; Animal Fats



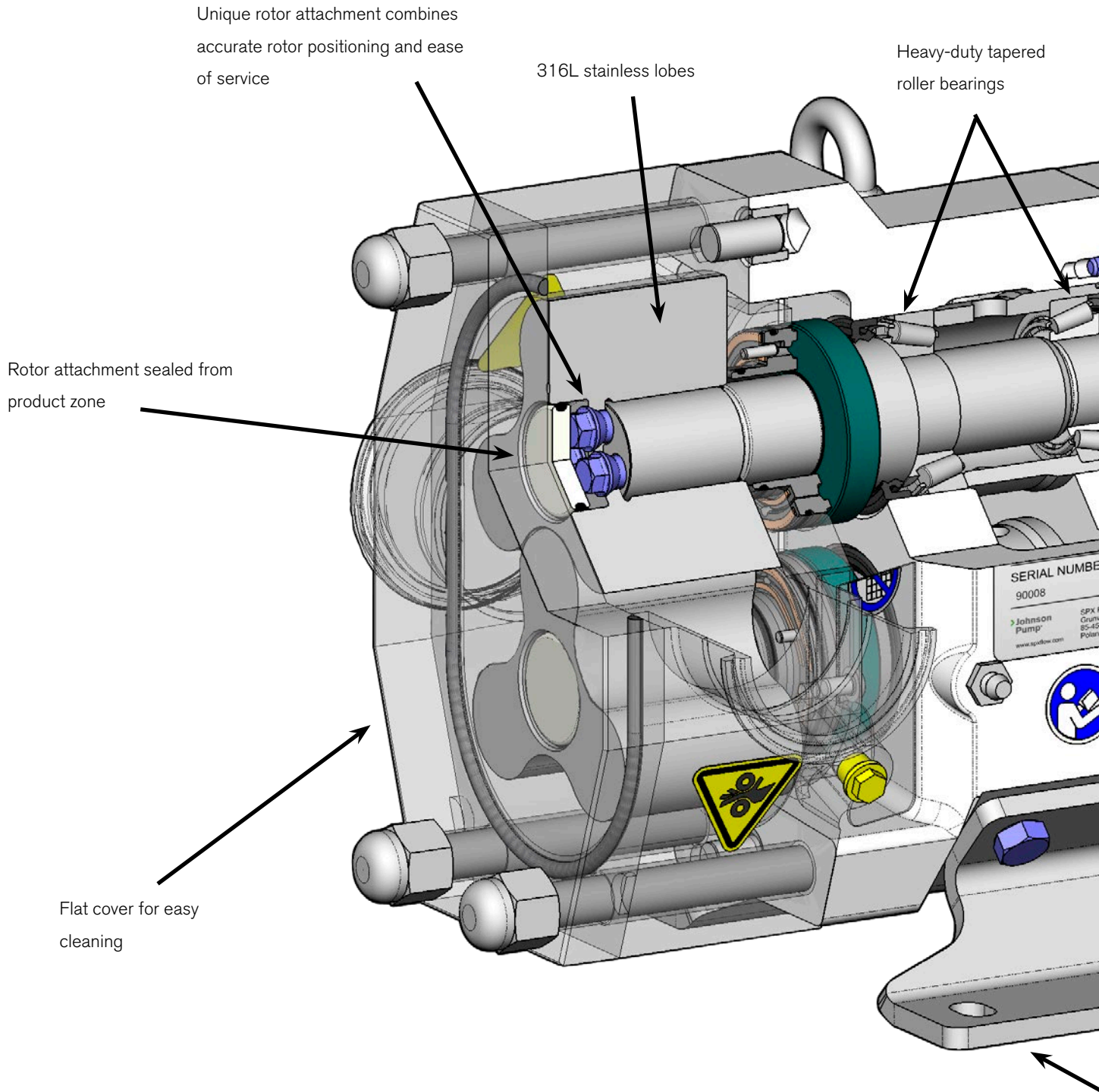
PHARMACEUTICAL

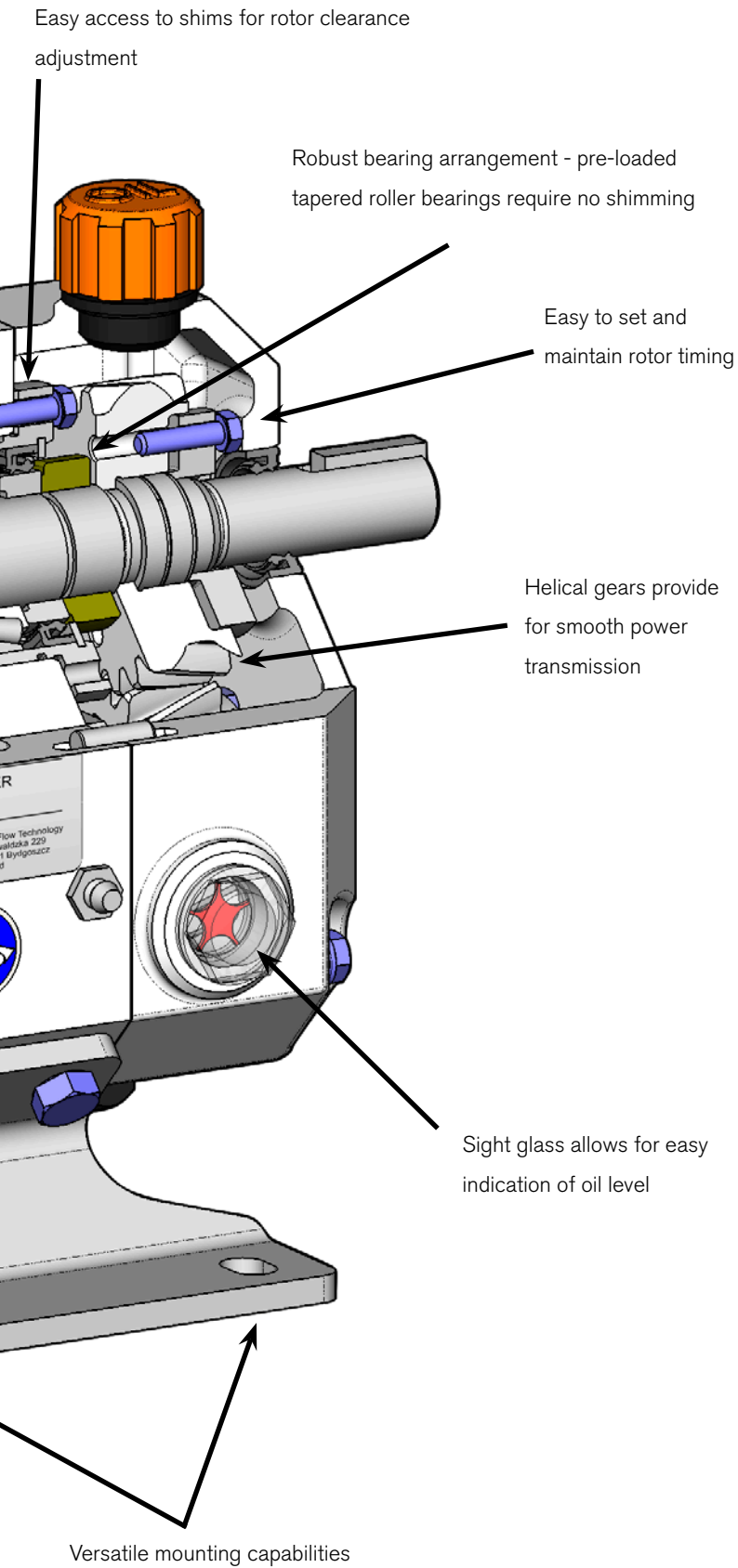
Pill Pastes; Syrups; Extracts; Emulsions; Slurries

CHEMICAL/INDUSTRIAL

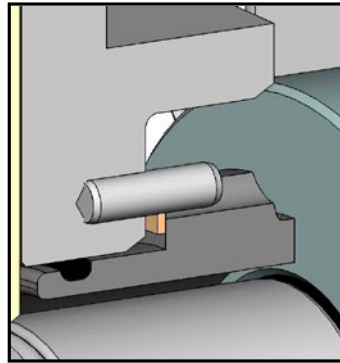
Solvents; Fuels; Oils & Lubricants; Paints; Resins & Polymers; Soaps; Sludges

Performance and long life through engineering





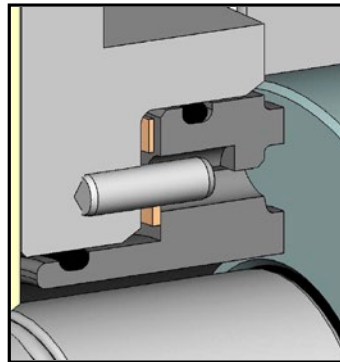
Seal Options



SINGLE MECHANICAL SEAL*

Standard carbon vs. hardened stainless steel faces provides long life in most applications.

Optional silicon carbide vs. silicon carbide adds protection against abrasive wear.



DOUBLE CONCENTRIC MECHANICAL SEAL*

Used with flushing fluid to cool, lubricate, and rinse away residue. Best arrangement for severe service.

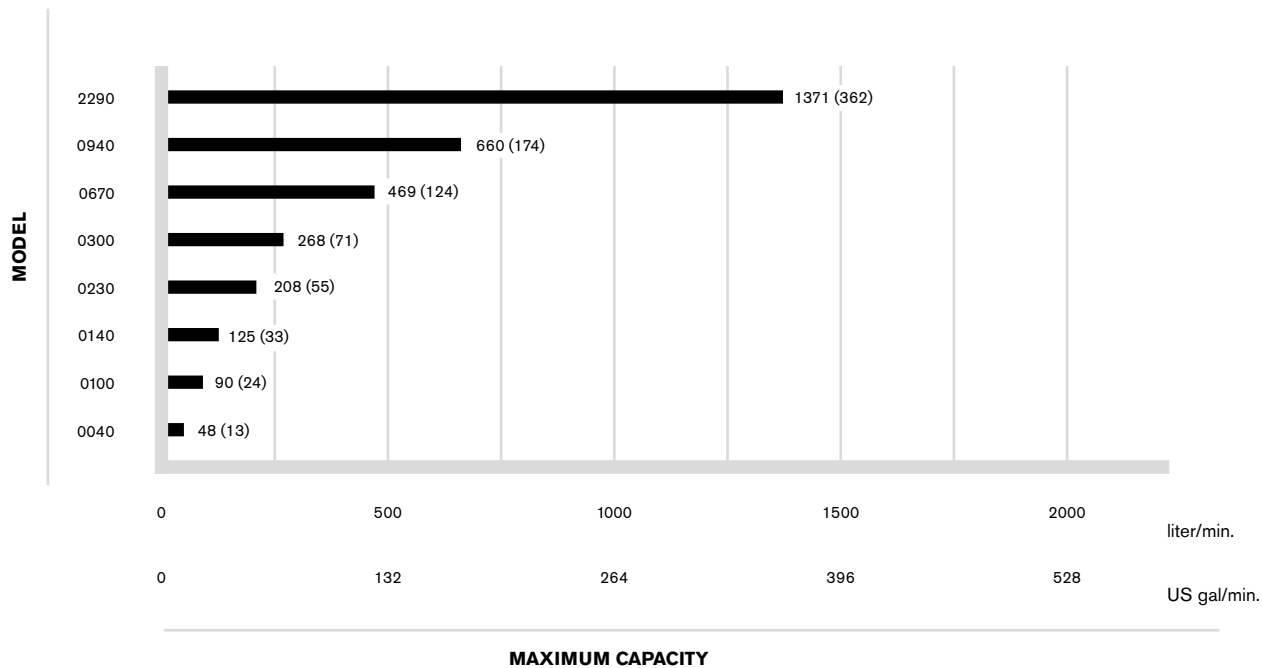
ELASTOMER CHOICES FOR "O" RINGS:

- Fluoroelastomer (FKM)
- EPDM

***MECHANICAL SEAL MATERIAL OPTION:**

- Carbon vs. Hardened Stainless Steel
- Silicon Carbide vs. Silicon Carbide

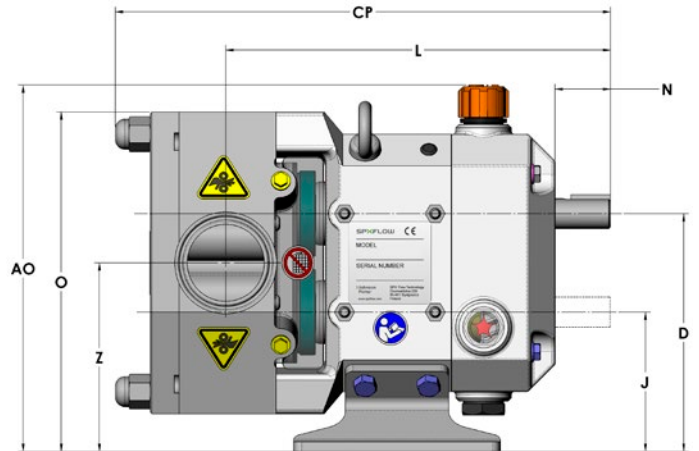
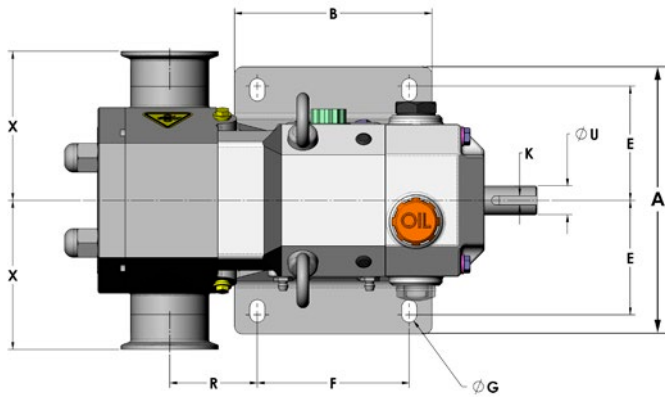
Performance overview



Technical data

MODEL	DISPLACEMENT LITER/REV	NOMINAL CONNECTION SIZE	DIFFERENTIAL PRESSURE RATING BAR	MAXIMUM PUMP SPEED RPM	INPUT SHAFT DIAMETER (MM)	MAXIMUM TORQUE N-M
0040	0.04	25 (1")	10	1200	19	108
0100	0.10	25 (1")	10	900	19	108
0140	0.14	38 (1.5")	10	900	19	108
0230	0.23	38 (1.5")	10	900	19	108
0300	0.30	50 (2")	10	900	19	108
0670	0.67	50 (2")	10	700	38	400
0940	0.94	75 (3")	10	700	38	400
2290	2.29	100 (4")	10	600	55	1200
3450	3.45	150 (6")	10	600	55	1200

Dimensions



Dimensions are shown in mm

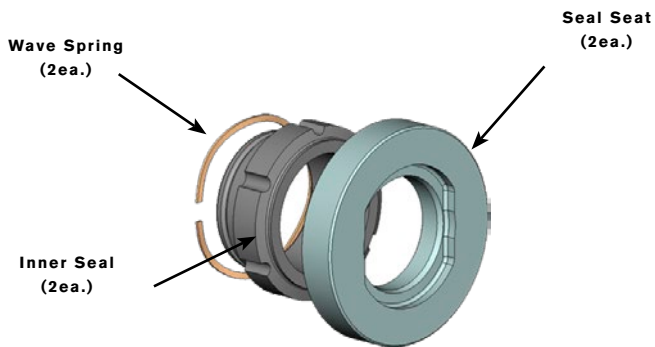
MODEL	A	AO	B	CP	D	E	F	G
0040	175.5	230.5	130.0	281.4	149.6	72.8	100.0	10
0100	175.5	230.5	130.0	286.8	149.6	72.8	100.0	10
0140	175.5	230.5	130.0	298.7	149.6	72.8	100.0	10
0230	175.5	230.5	130.0	299.1	149.6	72.8	100.0	10
0300	175.5	230.5	130.0	311.1	149.6	72.8	100.0	10
0670	239.1	310.6	160.0	396.4	205.9	99.5	120.0	13
0940	239.1	310.6	160.0	423.9	205.9	99.5	120.0	13
2290	301.1	384.6	250.0	553.6	263.7	130.5	210.0	13
3450	301.1	384.6	250.0	605.6	263.7	130.5	210.0	13

MODEL	J	K	L	N	O	R	U	X	Z
0040	87.6	6X6	227.6	34.7	231.6	43.5	19	98.0	118.6
0100	87.6	6X6	229.0	34.7	231.6	44.9	19	98.0	118.6
0140	87.6	6X6	235.8	34.7	231.6	51.7	19	98.0	118.6
0230	87.6	6X6	235.9	34.7	231.6	51.8	19	98.0	118.6
0300	87.6	6X6	241.8	34.7	231.6	57.7	19	98.0	118.6
0670	112.9	10X8	321.0	57.6	292.9	75.5	38	124.0	159.4
0940	112.9	10X8	332.6	57.6	292.9	87.1	38	134.0	159.4
2290	138.7	16X10	437.0	85.6	368.2	81.5	55	159.0	201.2
3450	138.7	16X10	463.2	85.6	368.2	107.7	55	159.0	201.2

Service Parts Kits

SERVICE KITS AVAILABLE FOR RAPID REPLACEMENT OF ROUTINE SERVICE ITEMS:

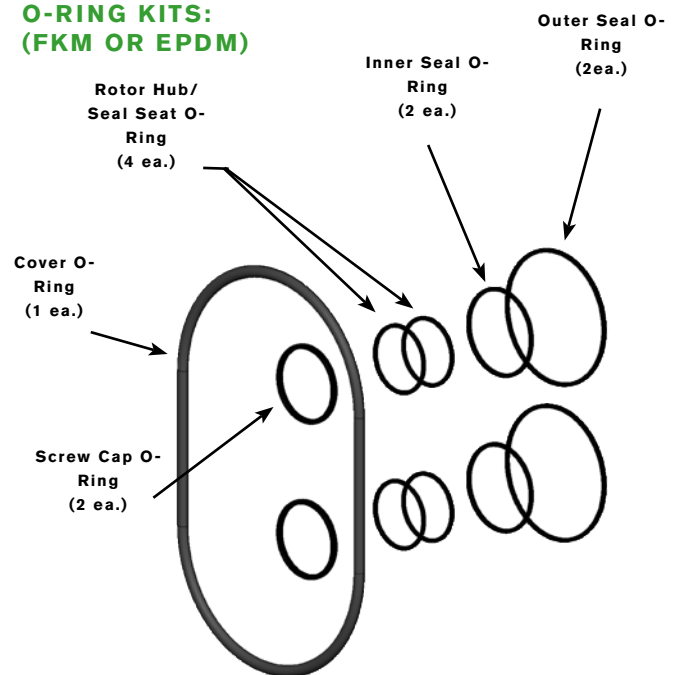
PRODUCT SEAL KIT: (STANDARD AND SILICON CARBIDE)



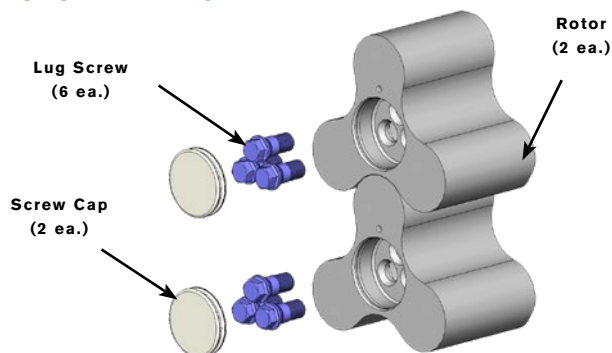
DOUBLE SEAL KIT:



O-RING KITS: (FKM OR EPDM)



ROTOR REPLACEMENT KIT:



SPX FLOW TECHNOLOGY

Building A, Compass House, Manor Royal
 Crawley, West Sussex, RH10 9PY
www.spxflow.com ▪ www.johnson-pump.com
 P: +44 0 1293 553 495
 E: jp.ukinfo@spxflow.com

Local contact:

<http://www.spxflow.com/en/johnson-pump/where-to-buy/>

SPX FLOW reserves the right to incorporate our latest design and material changes without notice or obligation.

Design features, materials of construction and dimensional data, as described in this bulletin, are provided for your information only and should not be relied upon unless confirmed in writing. Please contact your local sales representative for product availability in your region. For more information visit www.spxflow.com.

The green ">" is a trademark of SPX FLOW, Inc.

JP_130_GB VERSION: 05/2018

COPYRIGHT © 2018 SPX FLOW, Inc.